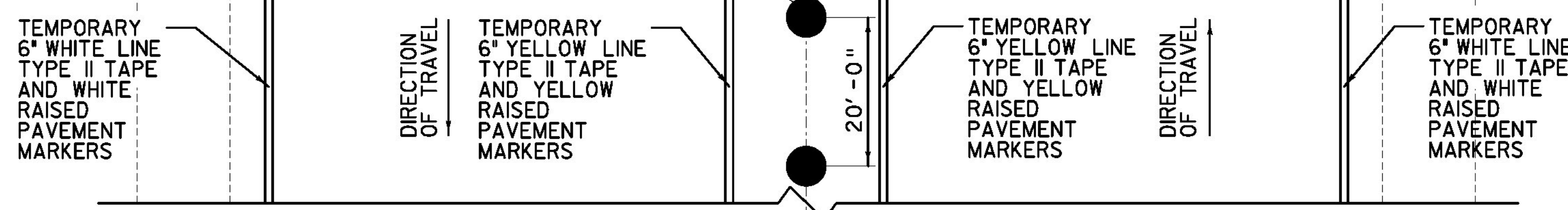
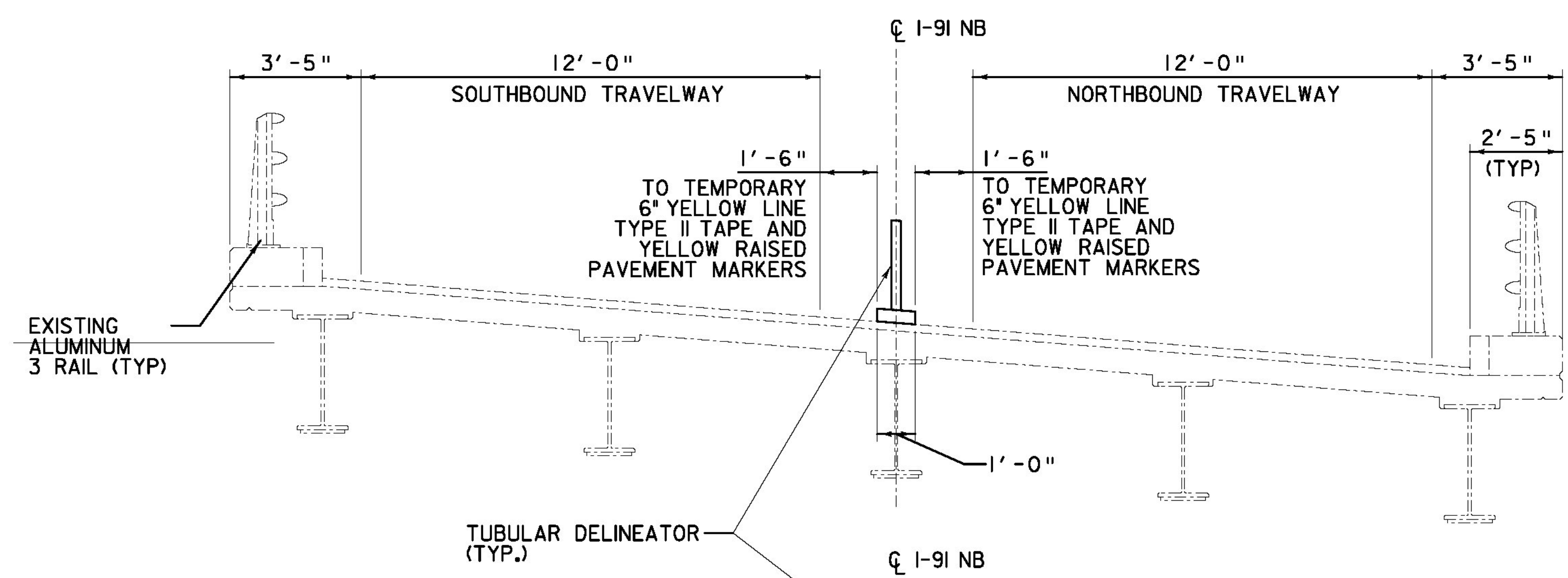
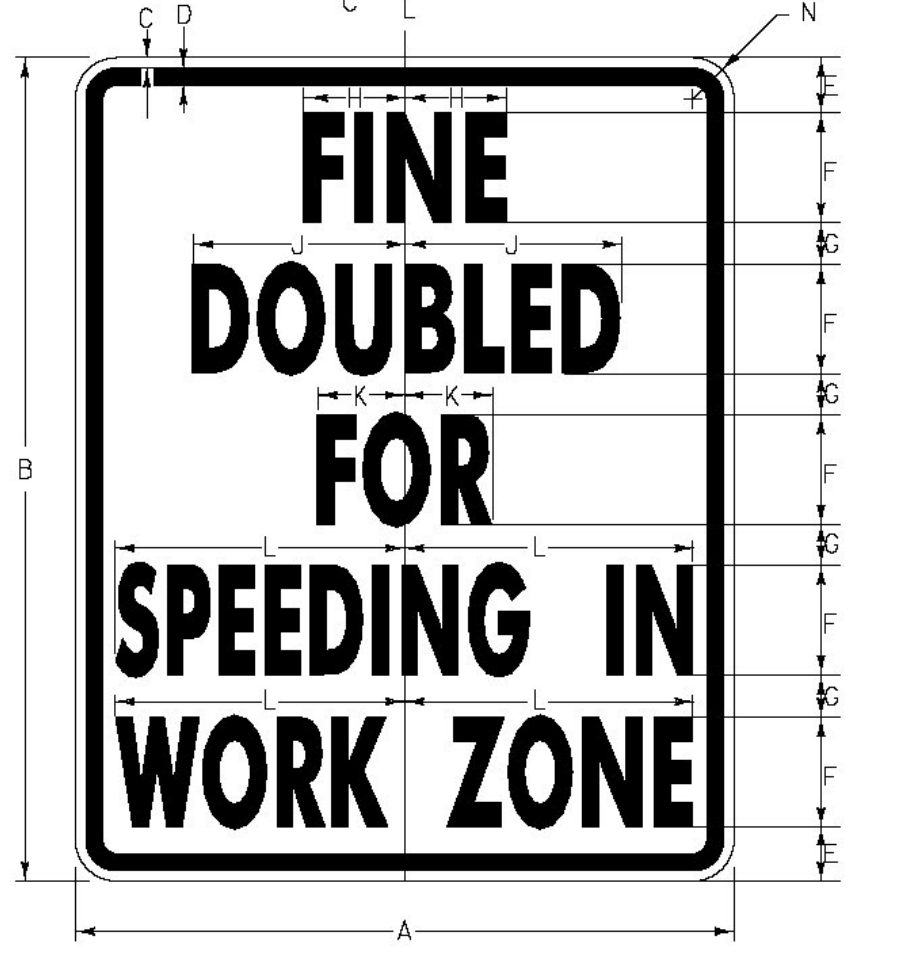


I-91 BRIDGE 5 SB (NORTHBOUND CLOSURE)  
SCALE: 3/8" = 1'-0"

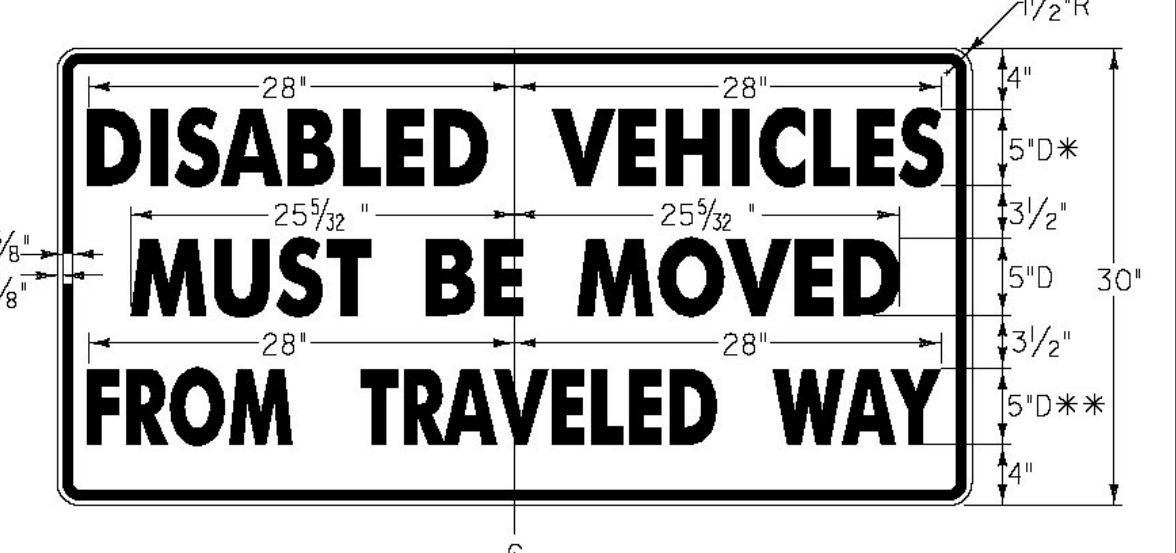
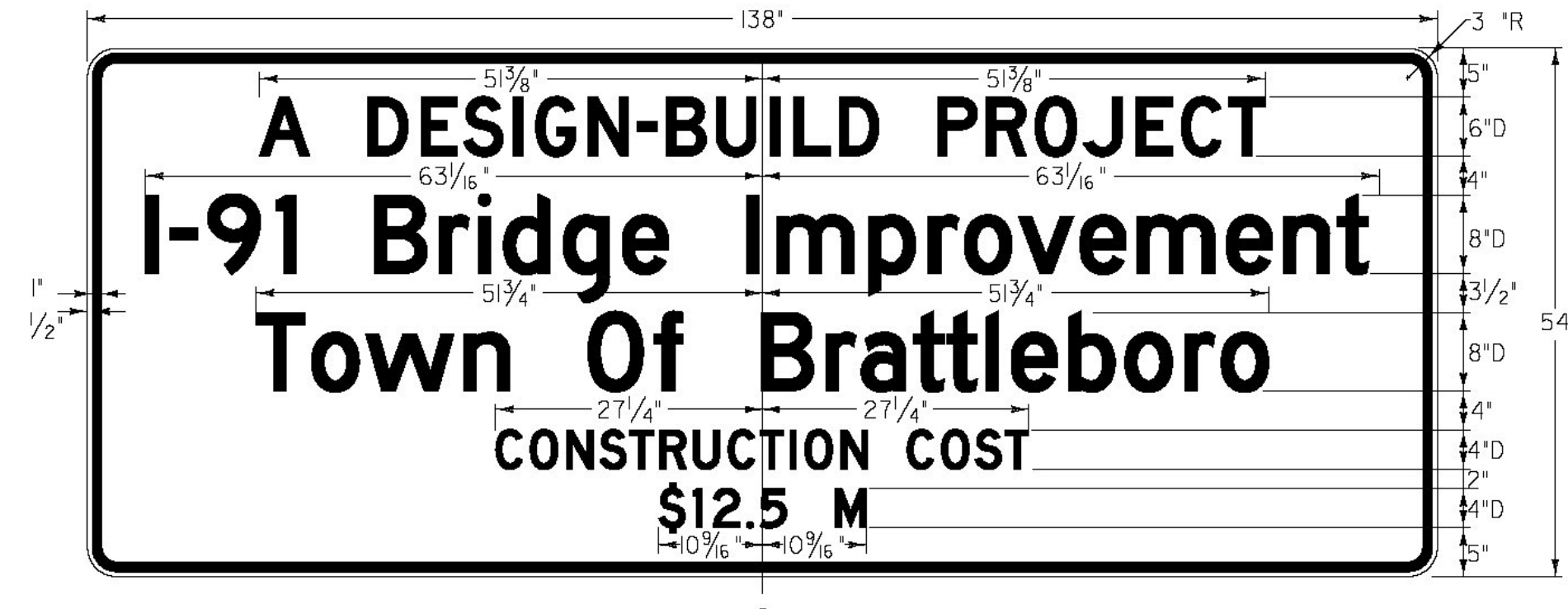


I-91 BRIDGE 6 SB (NORTHBOUND CLOSURE)  
SCALE: 3/8" = 1'-0"



SIGN	DIMENSIONS (INCHES)												
	A	B	C	D	E	F	G	H	J	K	L*	M*	N
STD	30	36	1/2	3/4	3/2	4C	2 1/4	4 1/2	9 9/16	4	13	13	1 1/8
EXPWY F.WY	48	60	3/4	1 1/4	4	8B	3	7 3/8	15 3/8	6 1/2	21	21	3

STD L\* REDUCE SPACING BY 9.3%  
STD M\* REDUCE SPACING BY 17.8%  
EXPWY F.WY L\* REDUCE SPACING BY 12%  
EXPWY F.WY M\* REDUCE SPACING BY 7.7%



**AS BUILT RECORD PLANS**

**RFC - WORK PACKAGE #2A**  
**MARCH 21, 2011**

**BECK & BELLUCCI, INC.** **TYLIN INTERNATIONAL**

**PROJECT NAME:** BRATTLEBORO  
**PROJECT NUMBER:** IM 091-(K50)  
**FILE NAME:** HW-100-NC0-502.dgn  
**PROJECT LEADER:** Brian W. Clogston P.E.  
**DESIGNED BY:** Phillip E. Kendall P.E.  
**NORTHBOUND CLOSURE TCP 2 OF 7**  
**PLOT DATE:** 3/18/2011  
**DRAWN BY:** J. R. Howe P.E.  
**CHECKED BY:** D. Bryant P.E.  
**SHEET HW-100-NC0-502**