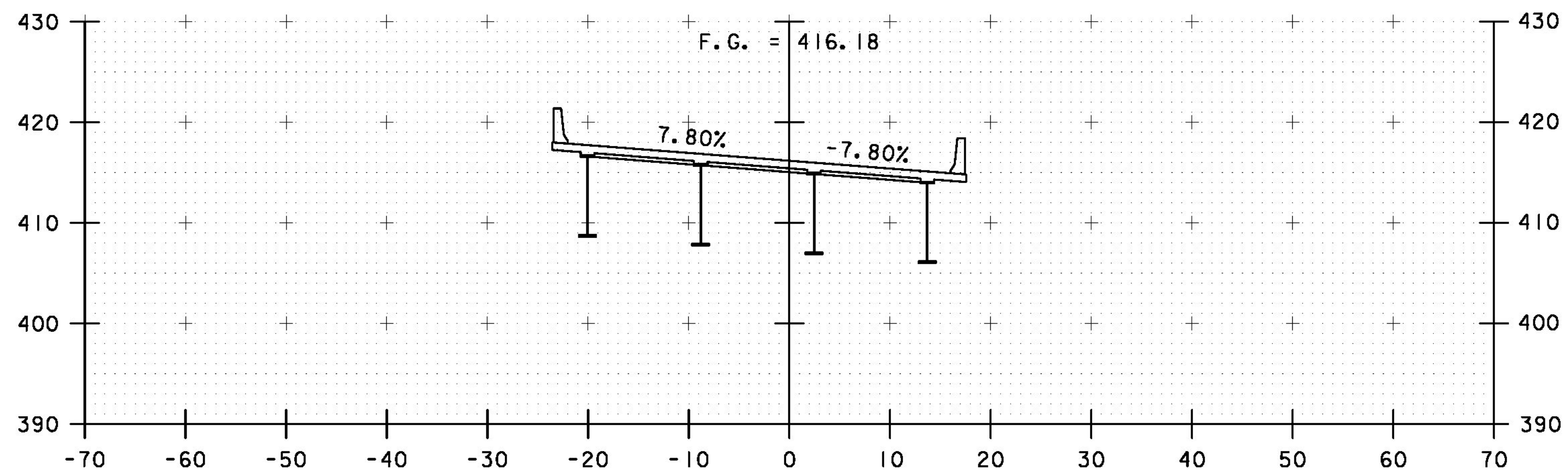
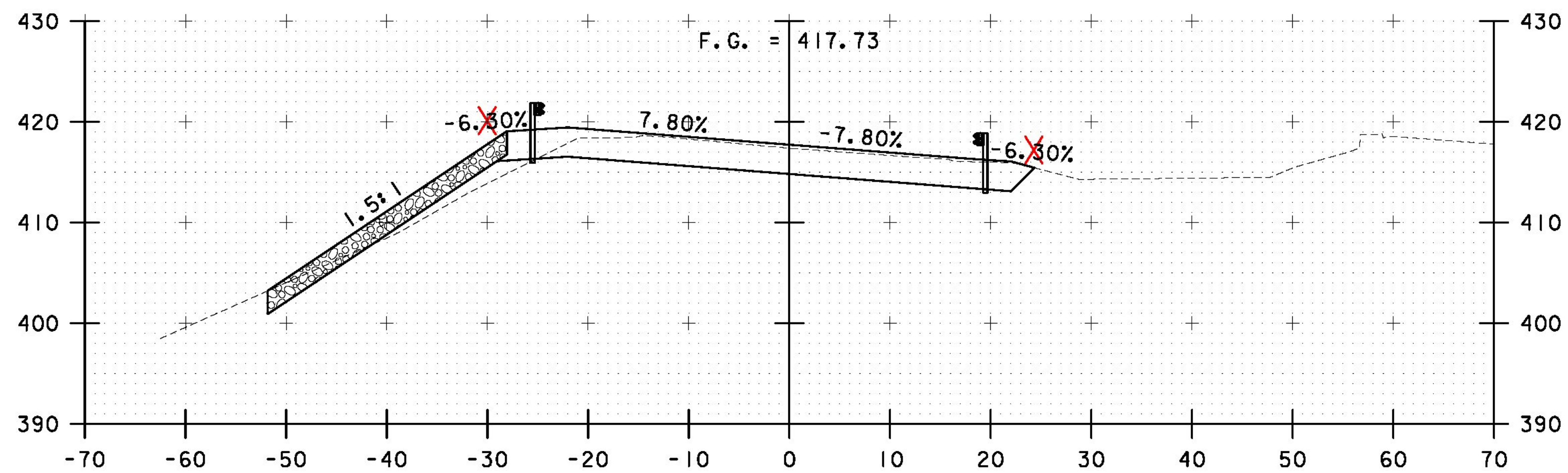


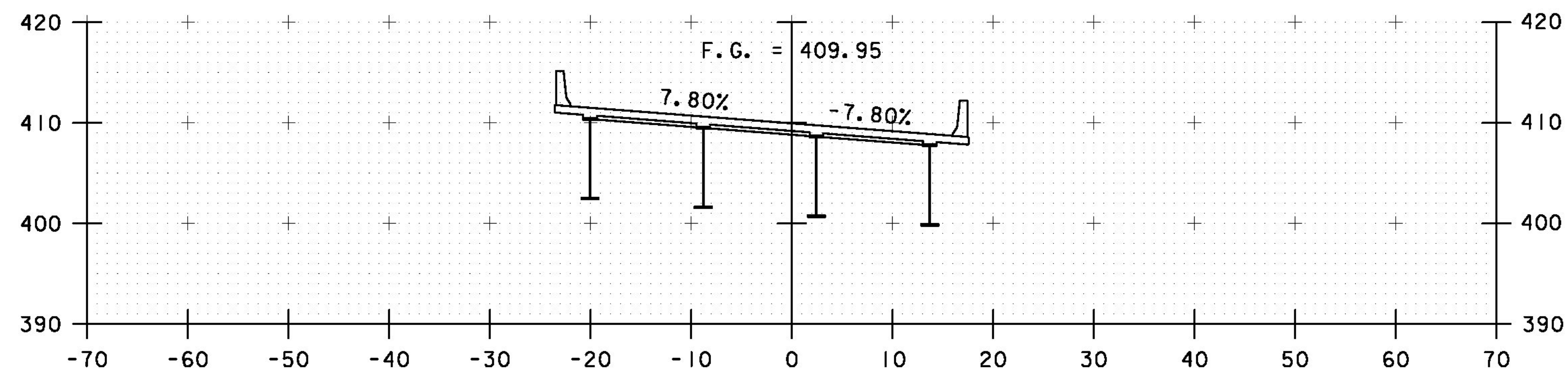
561+50



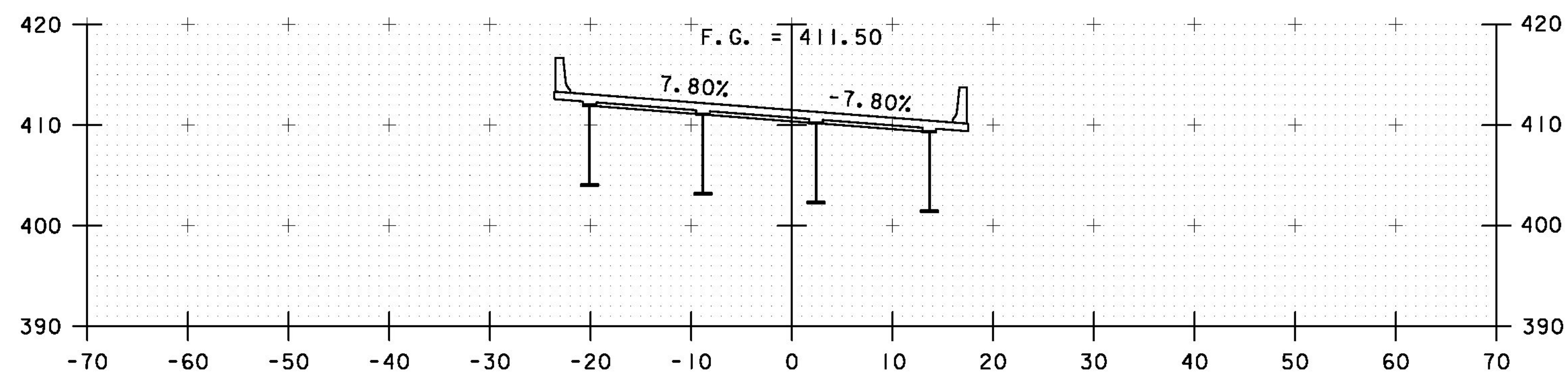
561+00



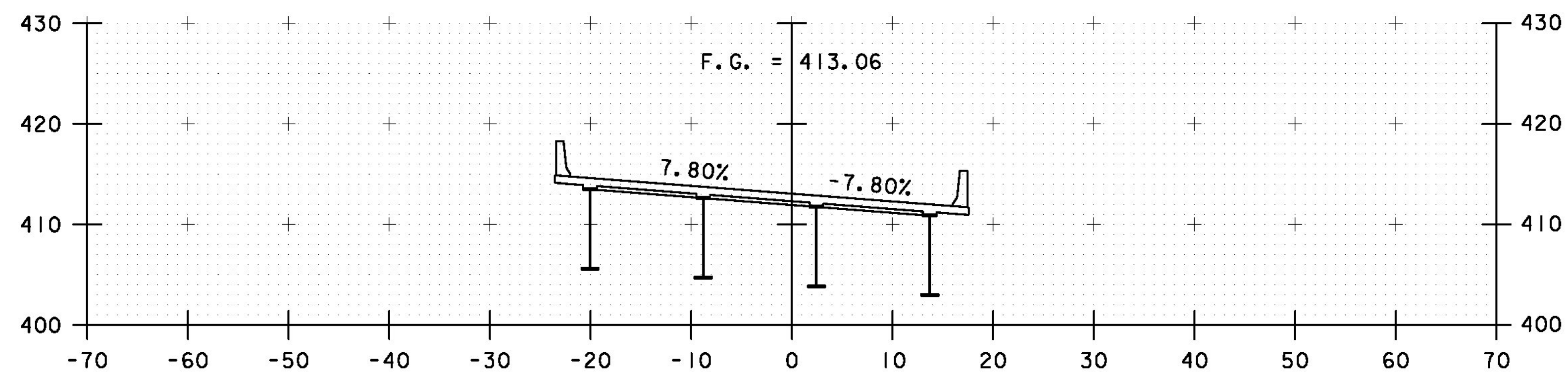
560+50



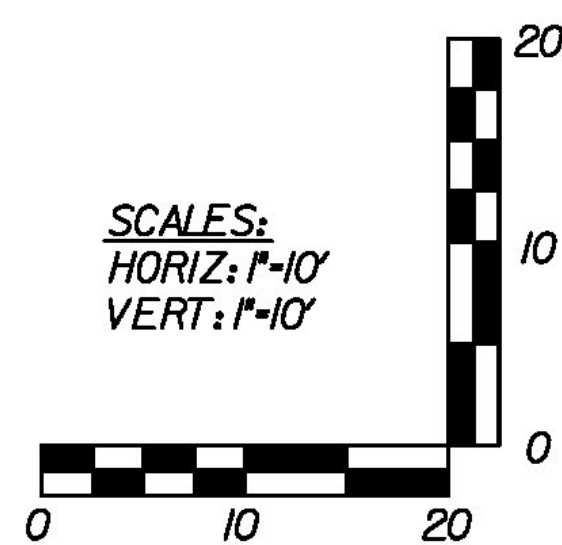
563+00



562+50



562+00



SCALES:
HORIZ: 1"=10'
VERT: 1"=10'

AS BUILT
RECORD PLANS

BECK & BELLUCCI, INC.

TYLININTERNATIONAL

STA. 560+50 TO STA. 563+00

PROJECT NAME: BRATTLEBORO

PROJECT NUMBER: IM 091-(150)

FILE NAME: HW-SRA-DGN-900.dgn

PROJECT LEADER: Phillip E. Kendall P.E.

DESIGNED BY: Phillip E. Kendall P.E.

CROSS SECTIONS 5 OF 7

PLOT DATE: 2/22/2013

DRAWN BY: J. Davis

CHECKED BY: D. Bryant, P.E.

SHEET HW-SRA-DGN-905