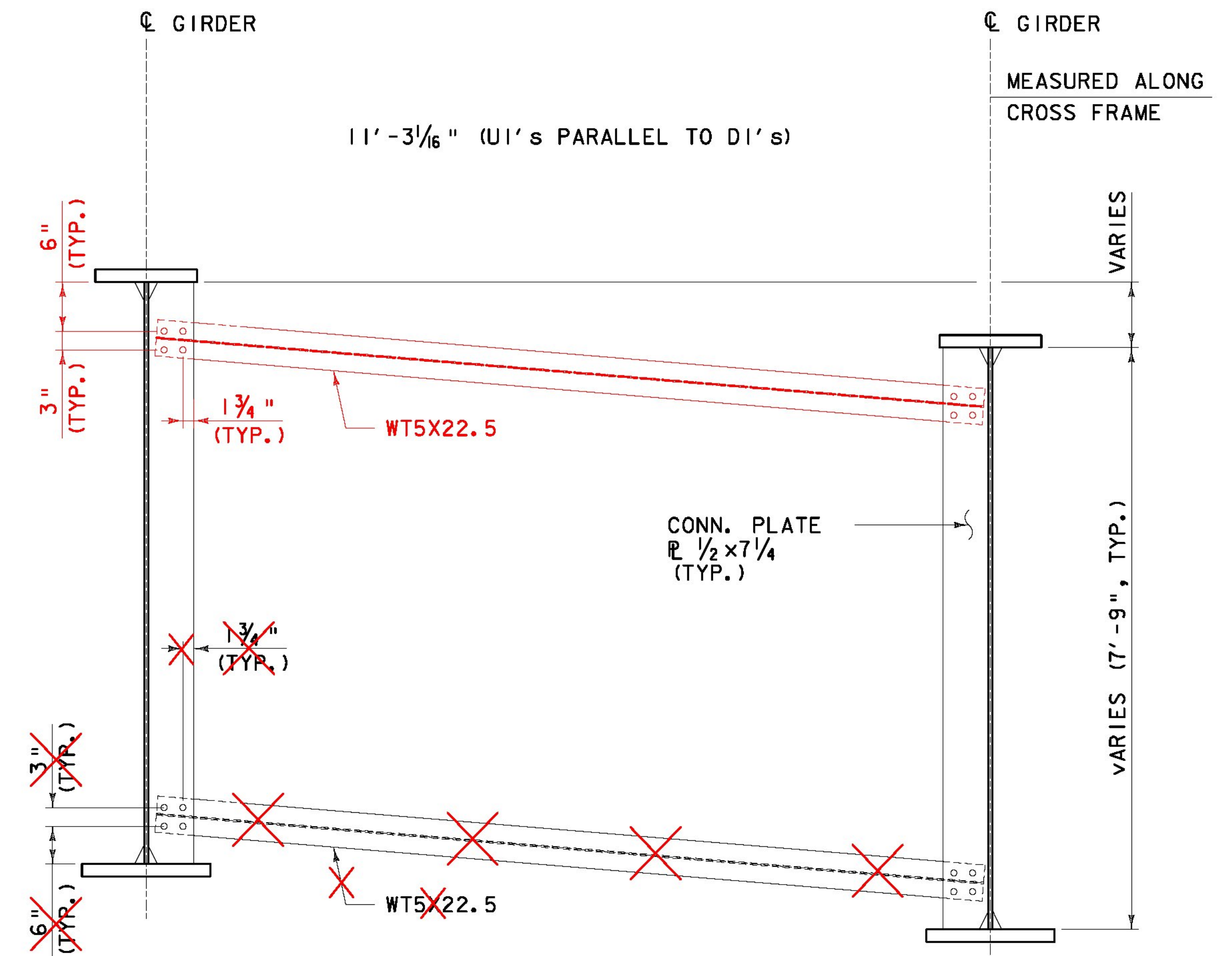


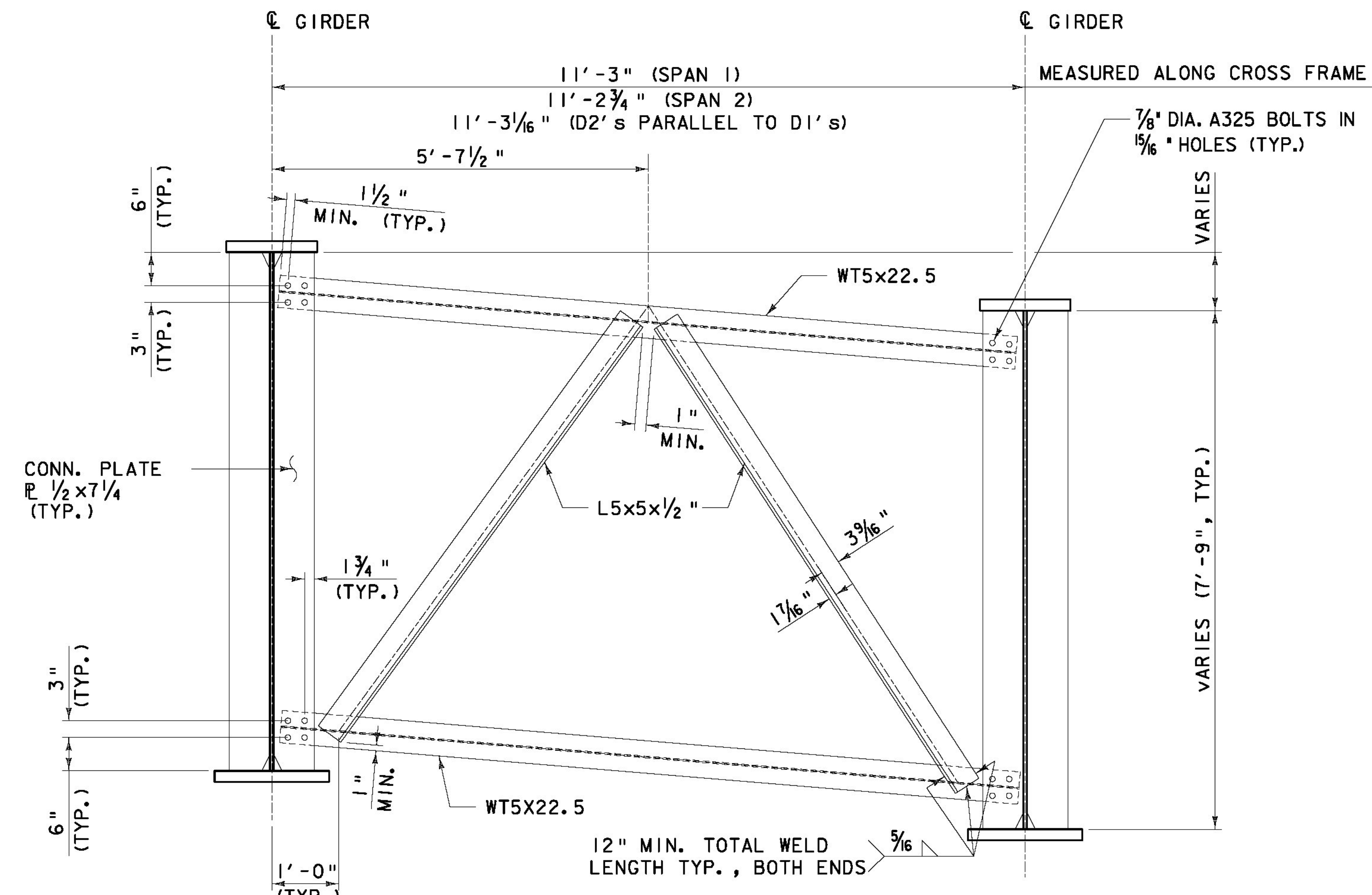
DIAPHRAGM D1
NTS



UTILITY SUPPORT UI (BRIDGE 6S ONLY)
NTS

NOTES:

1. ALL CROSS FRAME MEMBERS SHALL CONFORM TO AASHTO M270 (ASTM A709) GRADE 50W.
2. BOLT THREADS SHALL NOT BE PERMITTED WITHIN THE SHEAR PLANES OF CONNECTED MATERIAL.



DIAPHRAGM D2
NTS

AS BUILT
RECORD PLANS

PROJECT NAME: BRATTLEBORO

PROJECT NUMBER: IM 09I-(K50)

BECK & BELLUCCI, INC.

TYLIN INTERNATIONAL

FILE NAME: ZB-100-BR6-406.dgn

PROJECT LEADER: Phillip E. Kendall P.E.

DESIGNED BY: Josh Olund

STEEL DETAILS 1 OF 5

PLOT DATE: 5/15/2013

DRAWN BY: S. A. Morgan

CHECKED BY: Mike Lopez

SHEET ZB-100-BR6-406