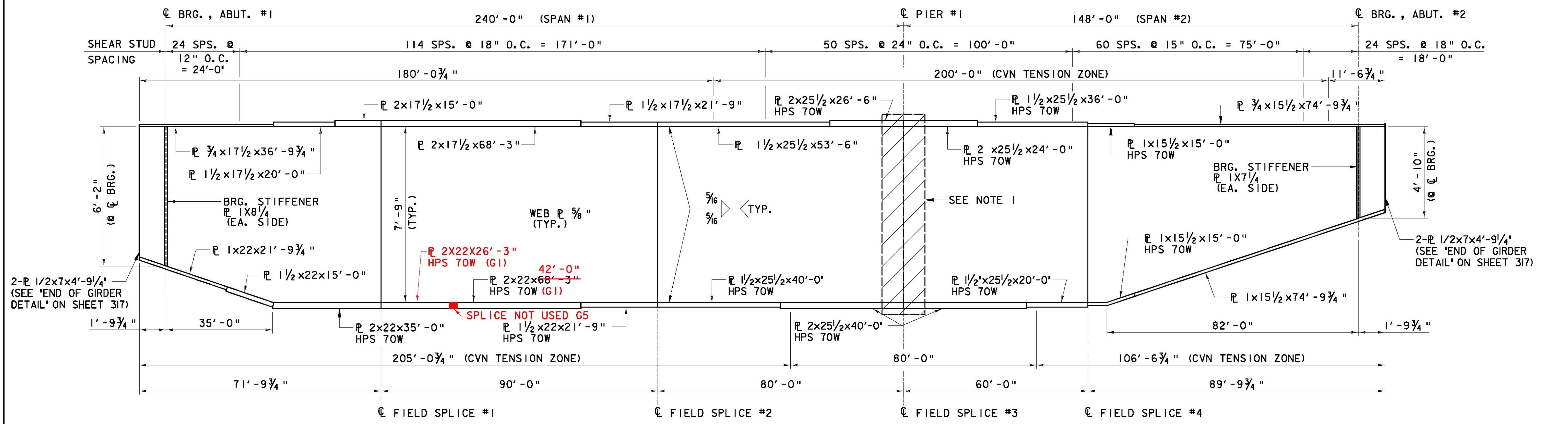


GIRDER ELEVATION - GIRDERS 2-4 & 6-8
N. T. S.



GIRDER ELEVATION - GIRDERS 1 & 5
N. T. S.

- NOTES:
- SEE "STEEL DETAILS 2 OF 5" AND "STEEL DETAILS 3 OF 5" FOR DETAILS NEAR THE PIER.
 - STRUCTURAL STEEL TO BE GRADE 50W UNLESS NOTED.

AS BUILT
RECORD PLANS

BECK & BELLUCCI, INC. TYLIN INTERNATIONAL

PROJECT NAME:	BRATTLEBORO
PROJECT NUMBER:	IM 091-(K50)
FILE NAME:	ZB-100-BR6-403.dgn
PROJECT LEADER:	Phillip E. Kendall P.E.
DESIGNED BY:	Josh Olund
GIRDER ELEVATION	
PLOT DATE:	5/15/2013
DRAWN BY:	S. A. Morgan
CHECKED BY:	Mike Lopez
SHEET	ZB-100-BR6-403