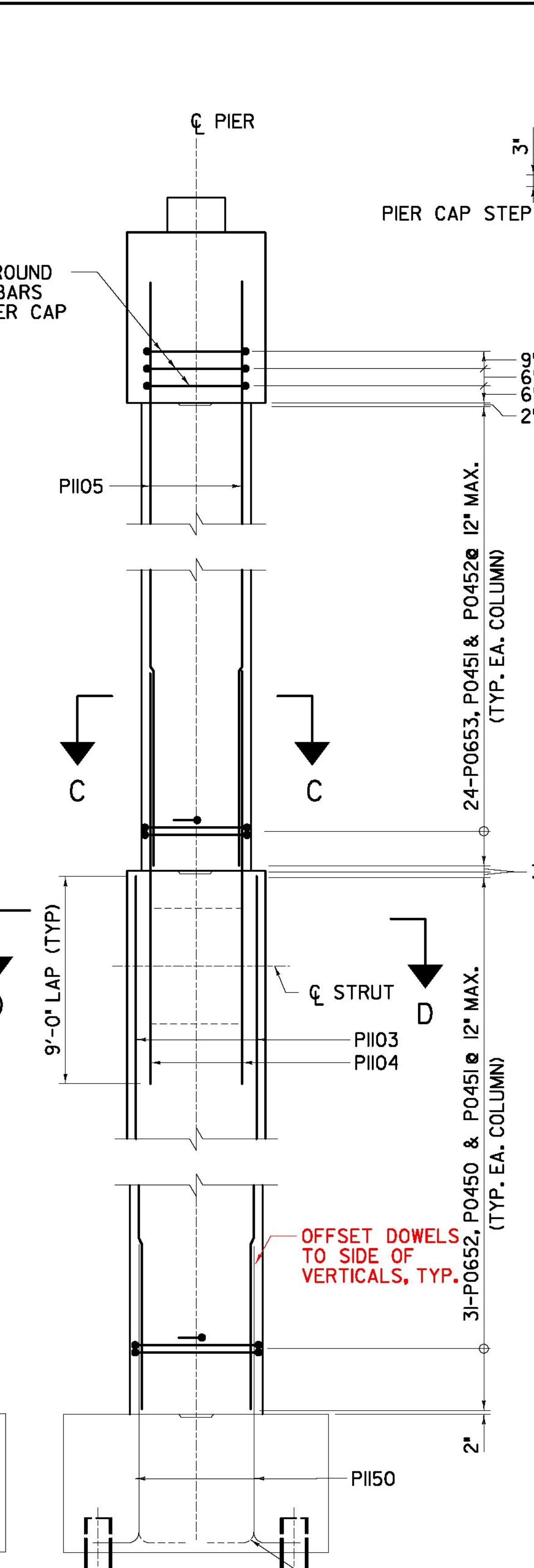
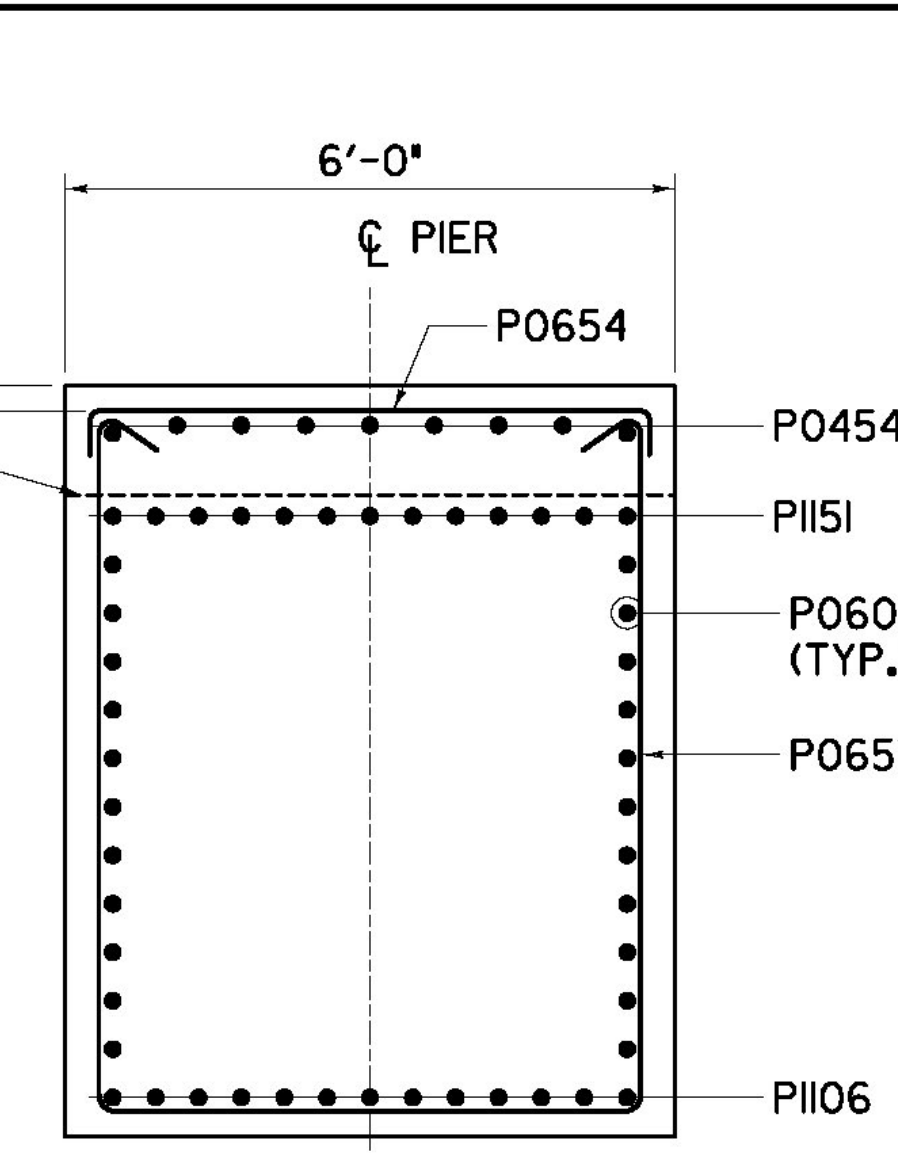


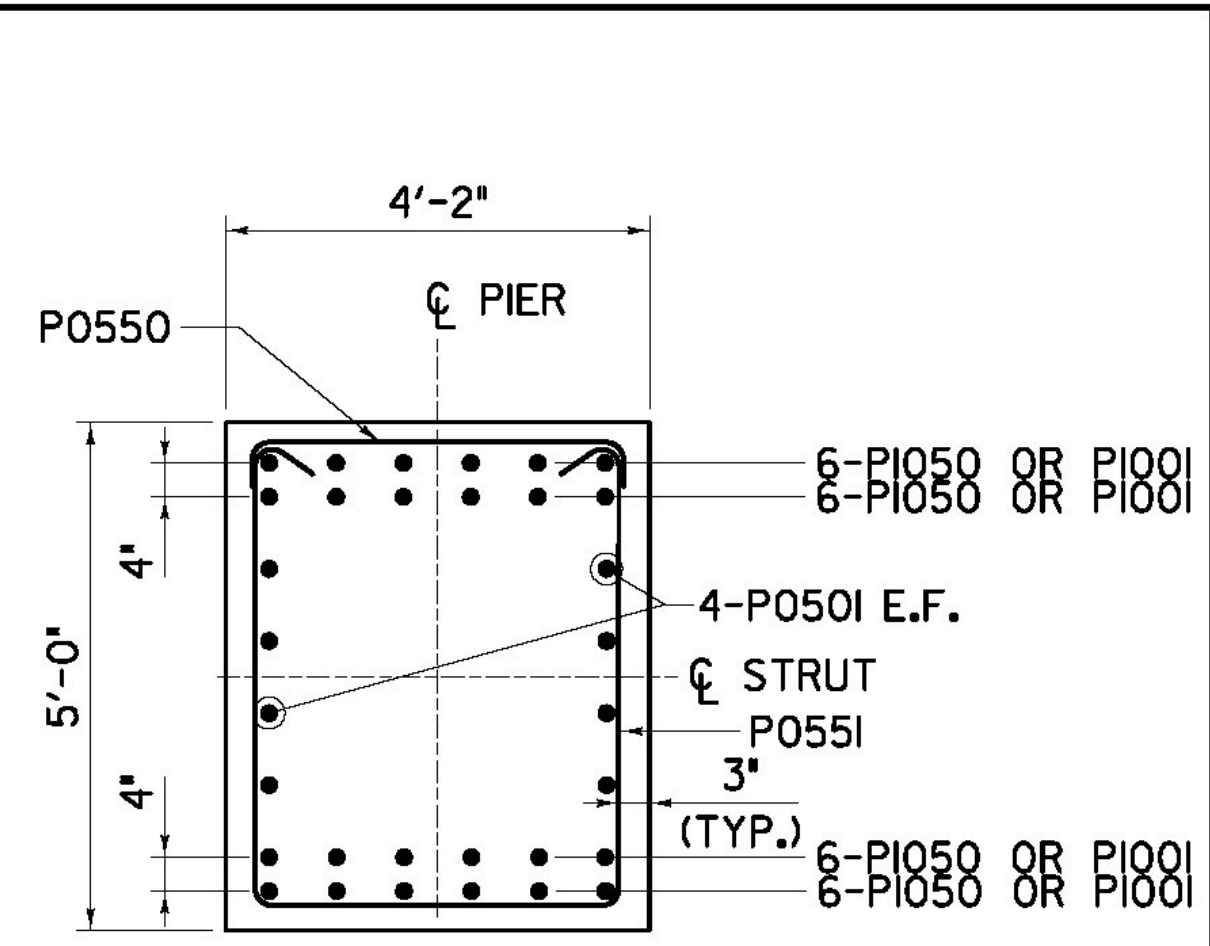
PIER ELEVATION
 SCALE: 1/4" = 1'-0"
 (PILE CAP REINFORCEMENT AND PILES NOT SHOWN FOR CLARITY)



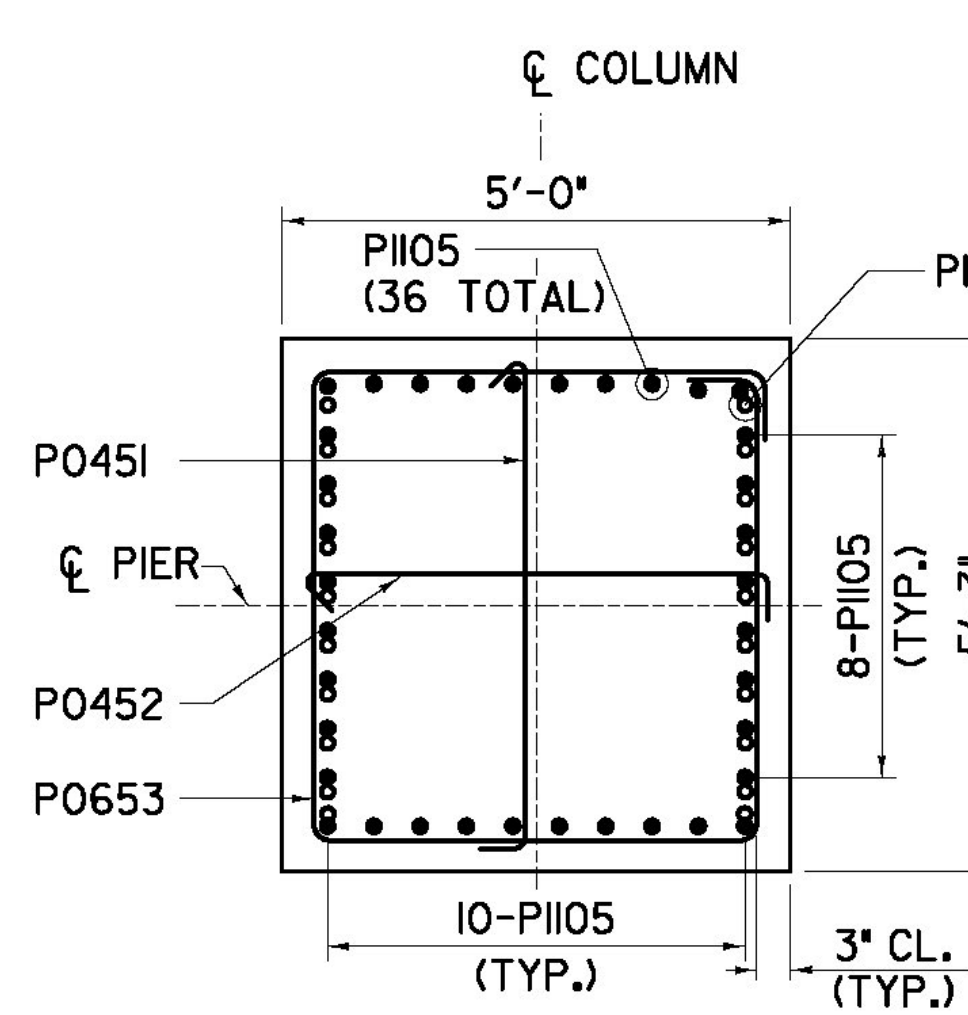
PIER SECTION
 SCALE: 1/4" = 1'-0"



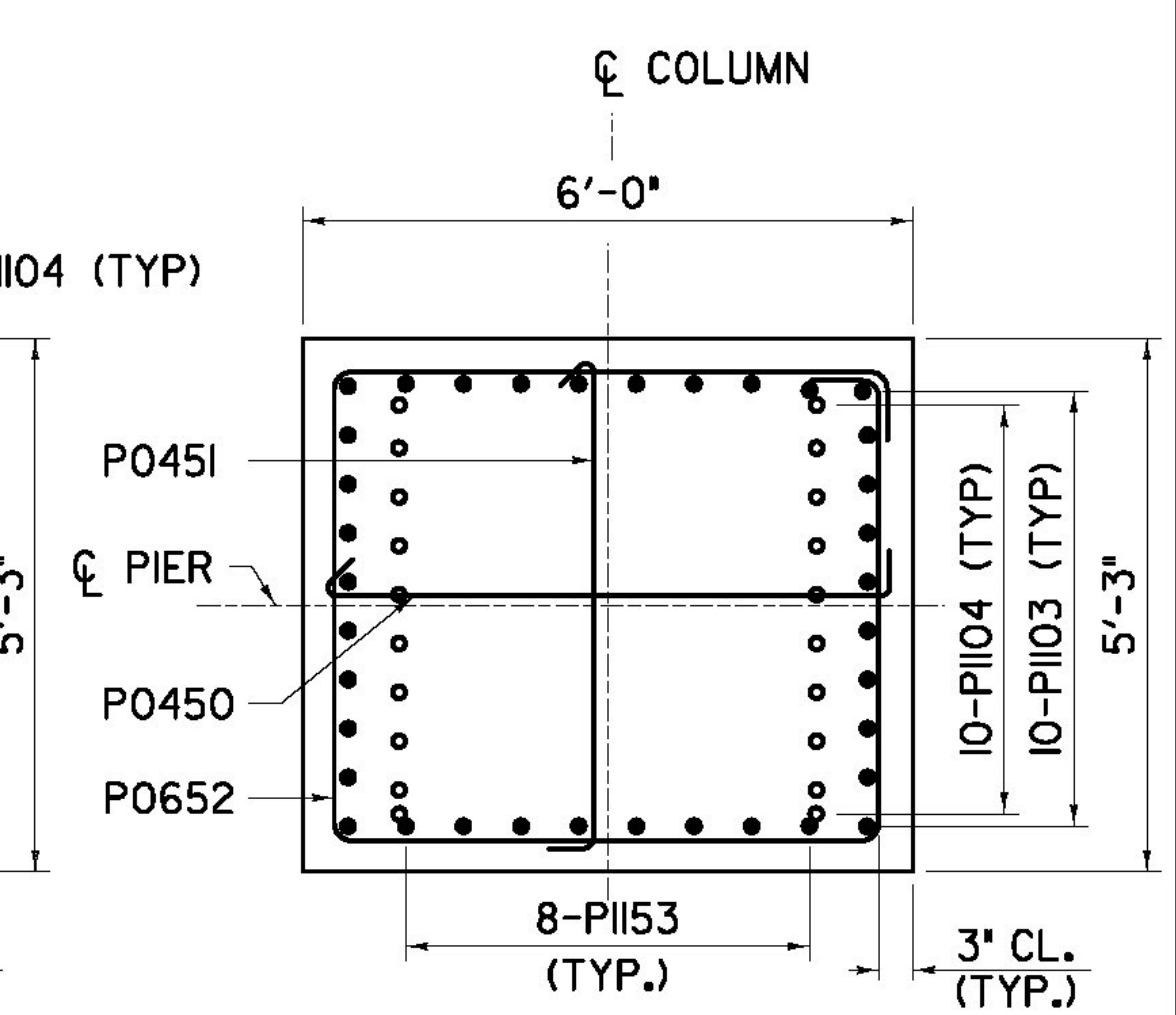
SECTION A-A
 SCALE: 1/2" = 1'-0"



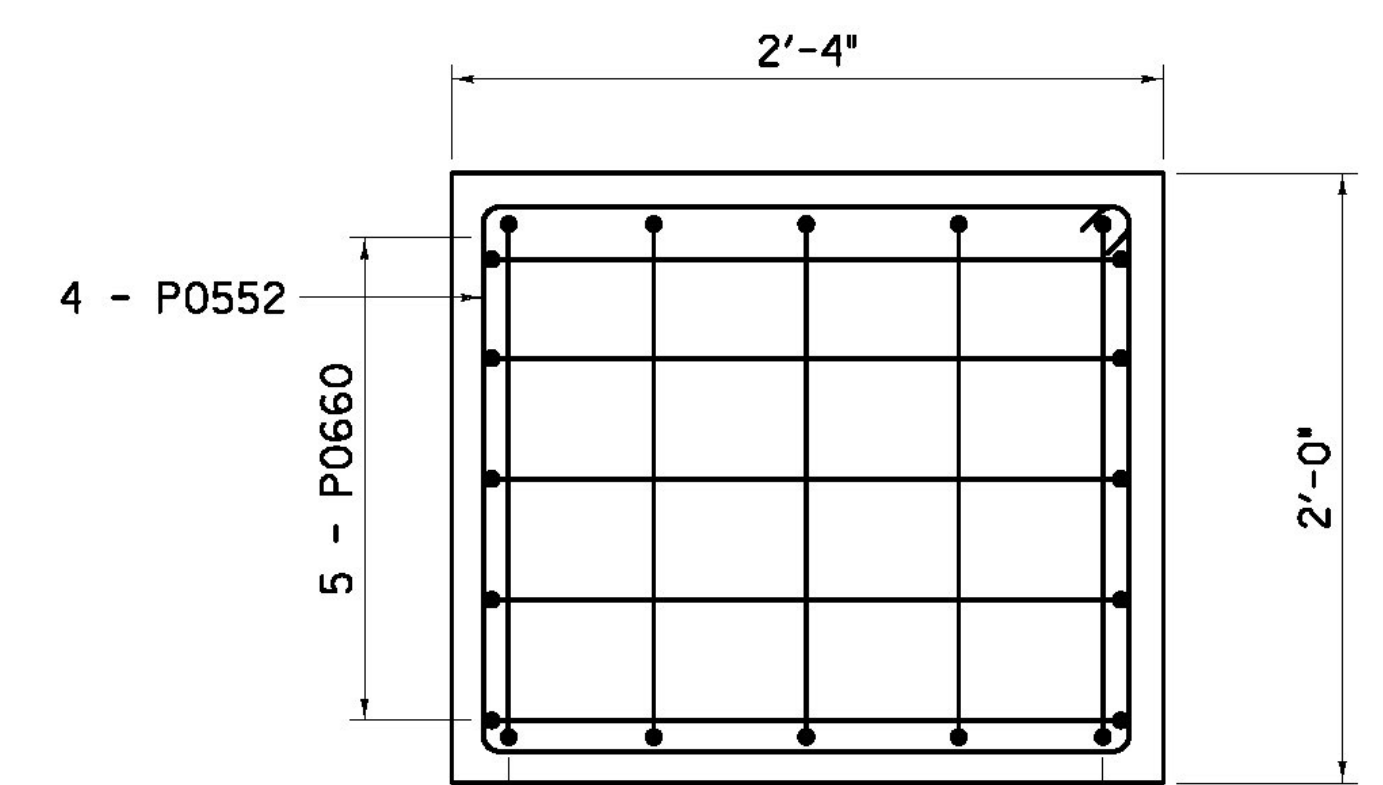
SECTION B-B - STRUT
 SCALE: 1/2" = 1'-0"



**SECTION C-C
 UPPER COLUMN**
 SCALE: 1/2" = 1'-0"



**SECTION D-D
 LOWER COLUMN**
 SCALE: 1/2" = 1'-0"



SHEAR LUG PLAN
 SCALE: 1/2" = 1'-0"
 (TYPICAL EACH SHEAR LUG, SEE 'ZB-100-BR6-411A' FOR ADDITIONAL DETAILS)

LEGEND:
 NF = NEAR FACE
 FF = FAR FACE
 EF = EACH FACE

**AS BUILT
 RECORD PLANS**

BECK & BELLUCCI, INC. TYLIN INTERNATIONAL

PROJECT NAME: BRATTLEBORO
PROJECT NUMBER: IM 091-(K50)
FILE NAME: ZB-100-BR6-362.dgn
PROJECT LEADER: Phillip E. Kendall P.E.
DESIGNED BY: Josh Olund P.E.
BR 6S - PIER REINFORCEMENT
PLOT DATE: 5/15/2013
DRAWN BY: S. A. Morgan
CHECKED BY: Chris Taylor
SHEET ZB-100-BR6-362