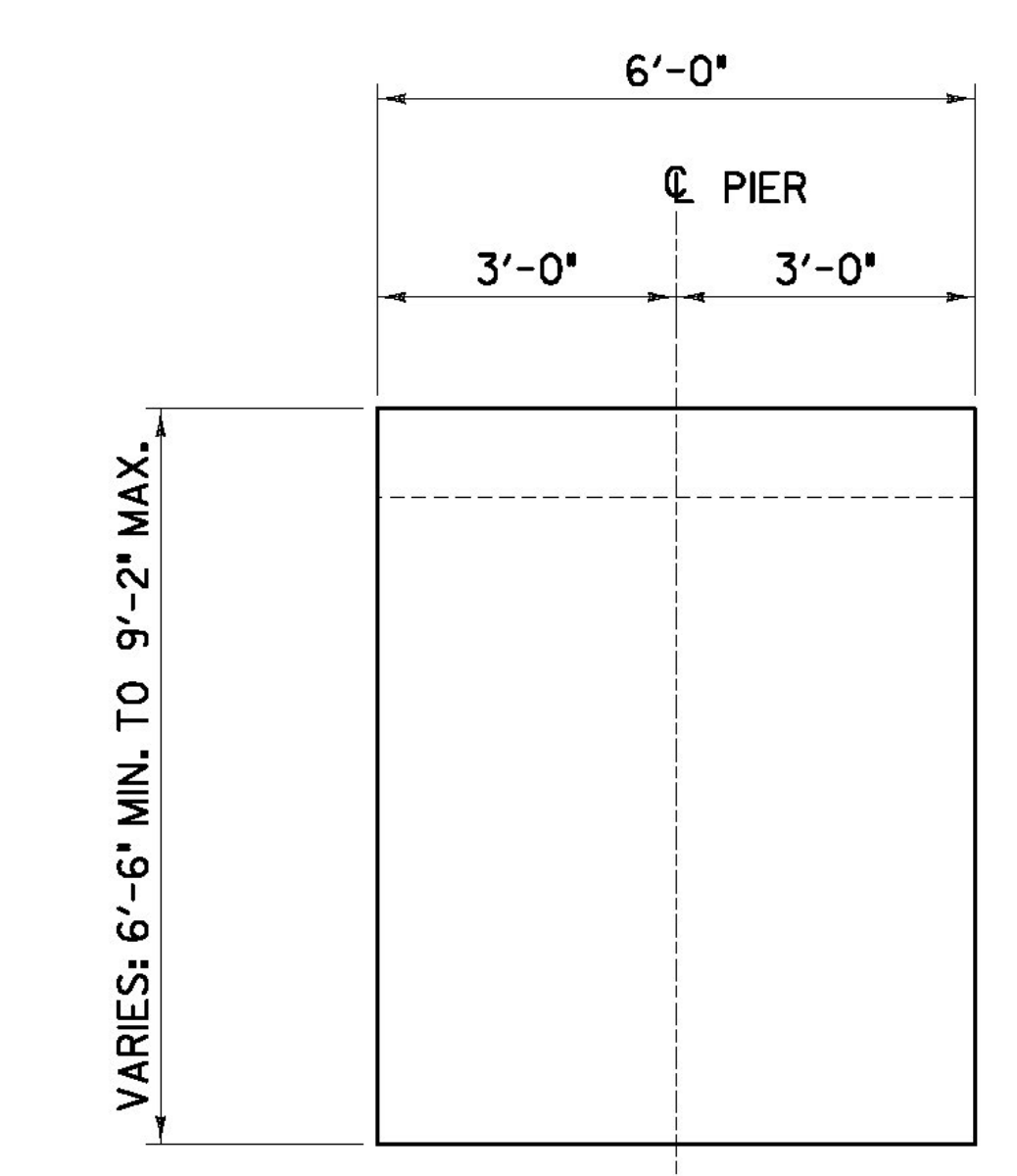
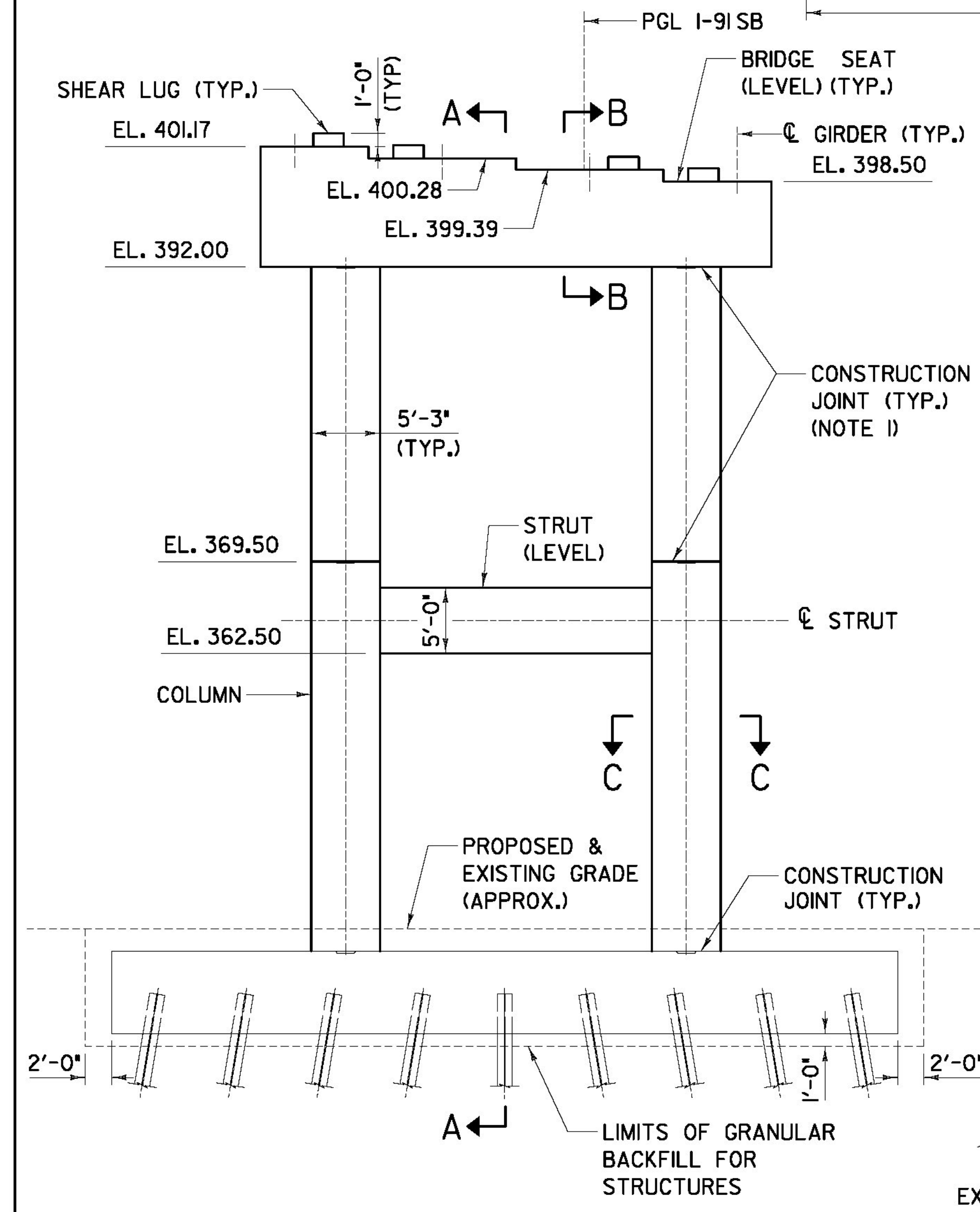


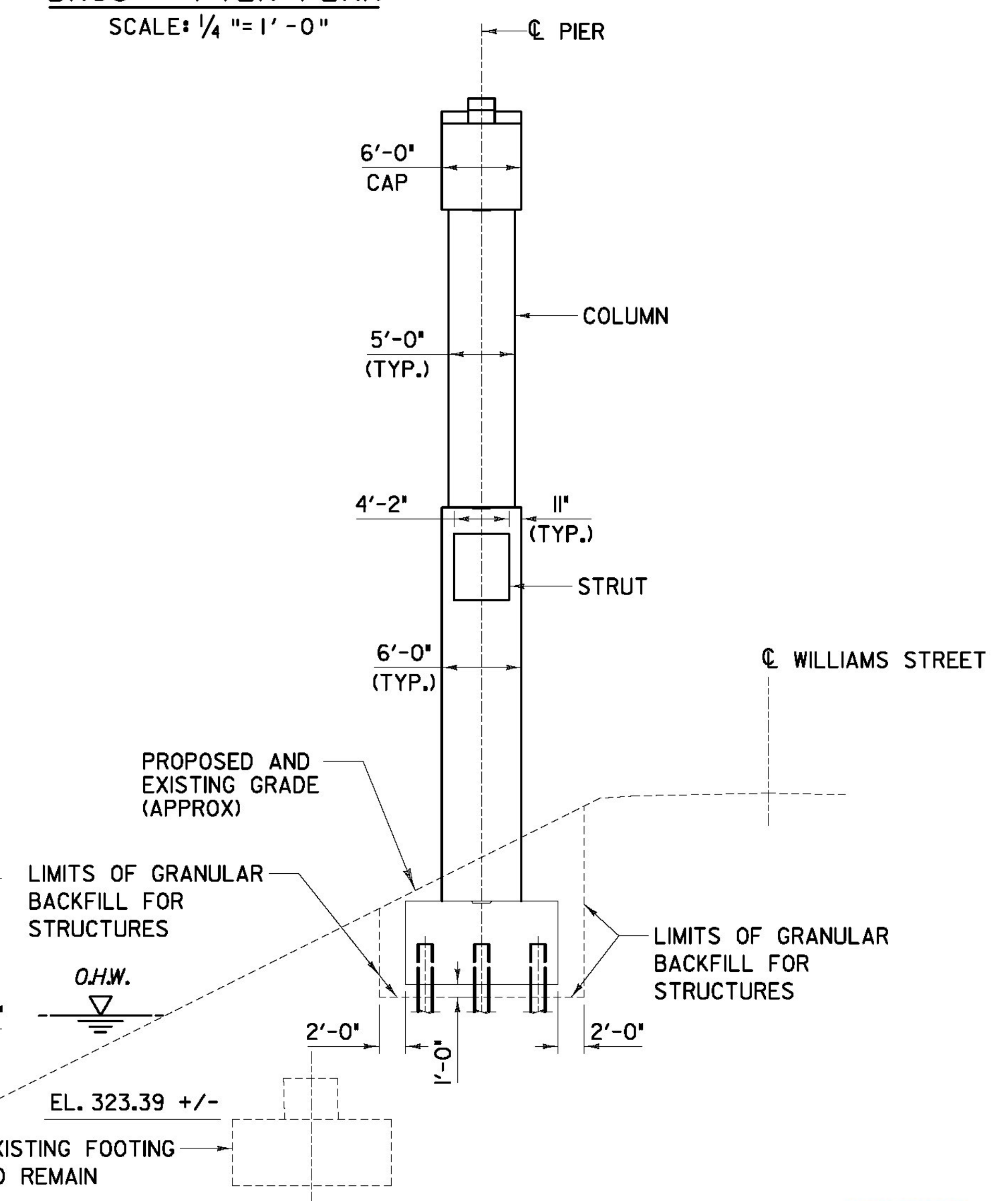
BR6S - PIER PLAN
SCALE: 1/4" = 1' - 0"



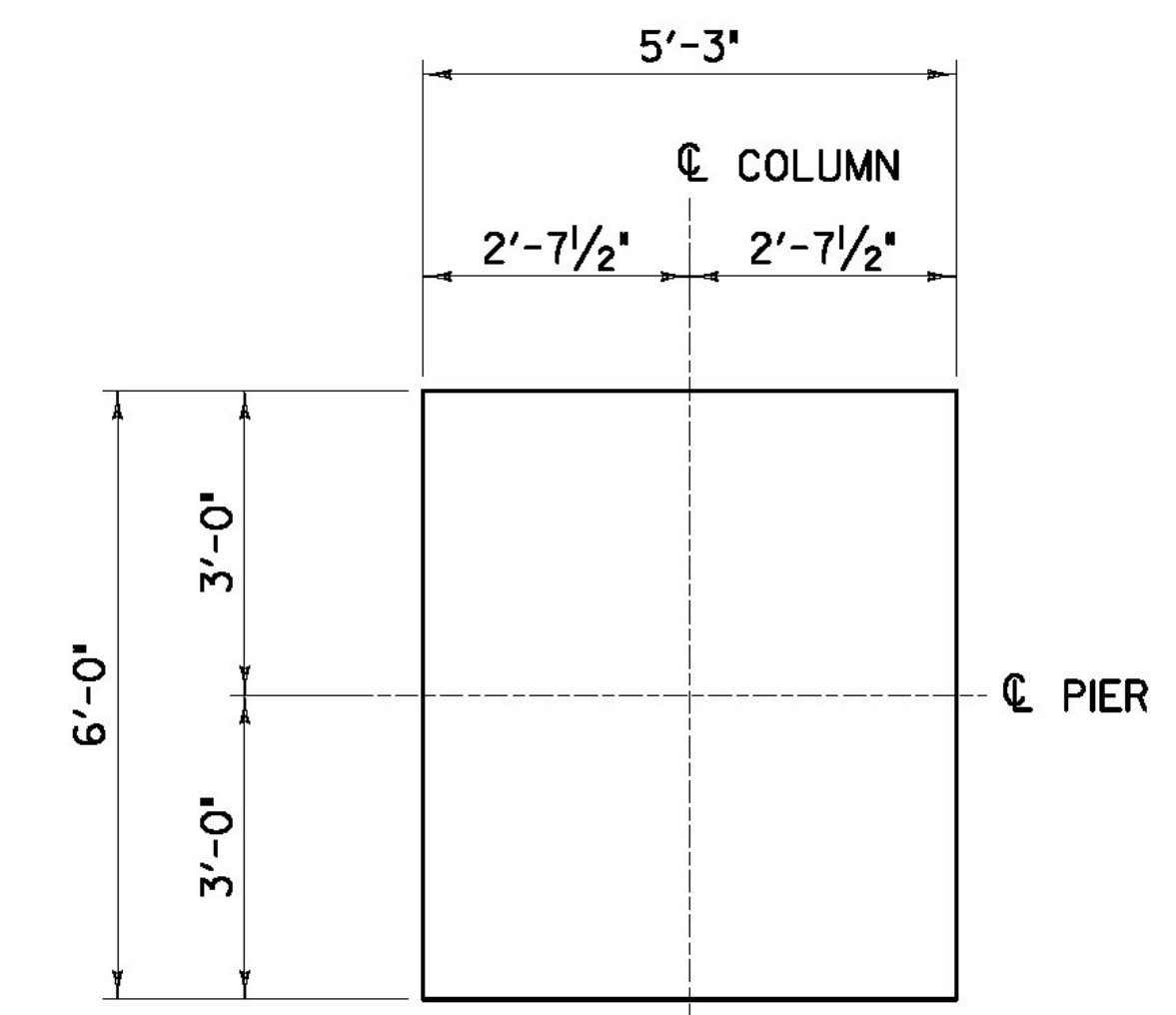
SECTION B-B - PIER CAP
SCALE: 1/2" = 1' - 0"



BR6S - PIER ELEVATION
SCALE: 1/8" = 1' - 0"



BR6S - PIER SECTION A-A
SCALE: 1/8" = 1' - 0"



SECTION C-C - COLUMN
SCALE: 1/2" = 1' - 0"

NOTES:

1. CONSTRUCTION JOINT SHALL BE FORMED WITH A 1'-6"x1'-6"x1/2" DEEP BLOCKOUT, CENTERED ON THE COLUMN.
2. SEE SHEET 'ZB-100-BR6-411A FOR SHEAR LUG DETAILS.

RFC PLANS - WORK PACKAGE #8
BRIDGE 6S SUBSTRUCTURE
JANUARY 17, 2012

BECK & BELLUCCI, INC. **TYLIN INTERNATIONAL**

PROJECT NAME: BRATTLEBORO	PLOT DATE: 1/17/2012
PROJECT NUMBER: IM 091-(K50)	DRAWN BY: S. A. Morgan
FILE NAME: ZB-100-BR6-361.dgn	CHECKED BY: C. Taylor
PROJECT LEADER: Phillip E. Kendall P.E.	SHEET ZB-100-BR6-361
DESIGNED BY: Josh Olund, P.E.	

**AS BUILT
RECORD PLANS**