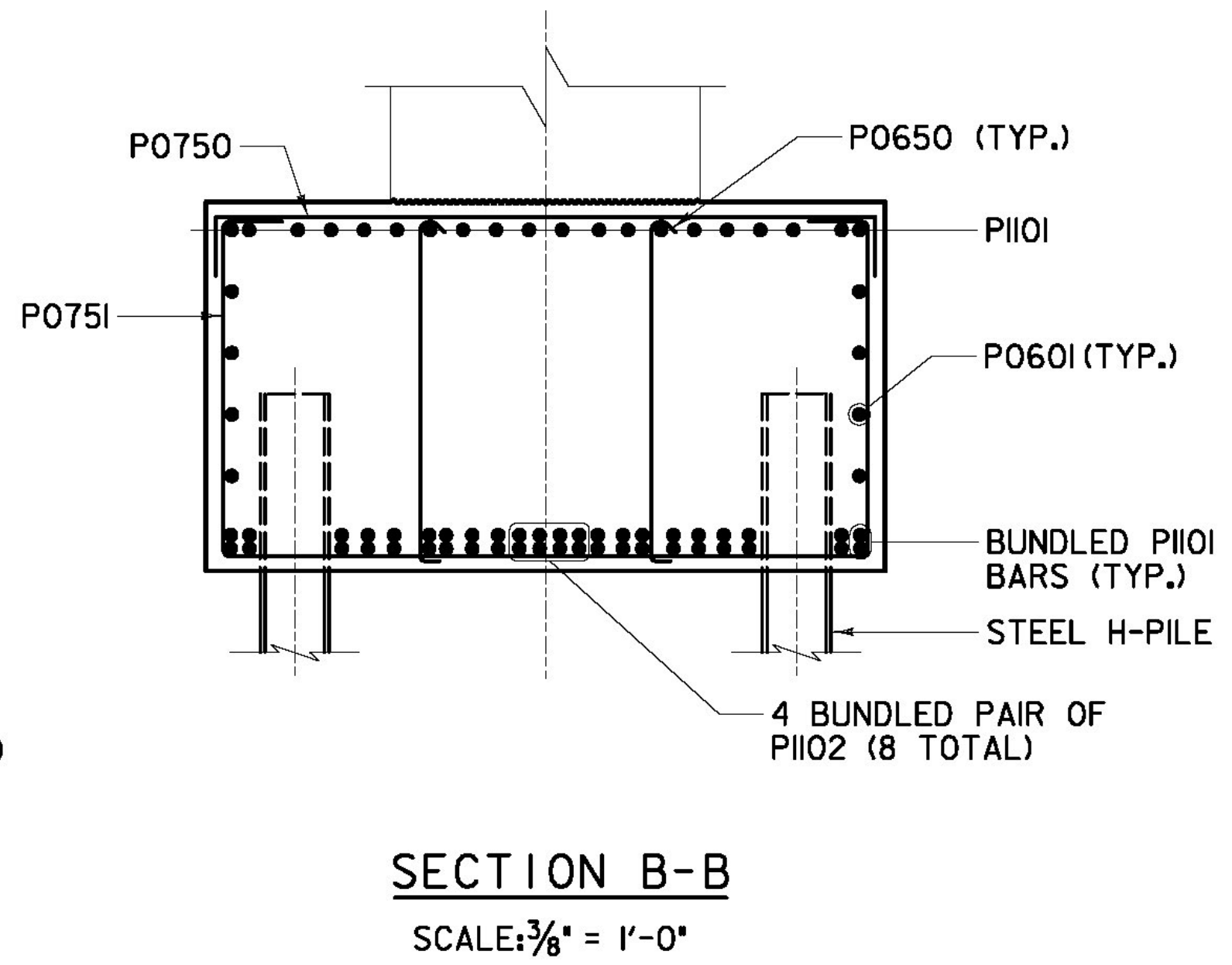
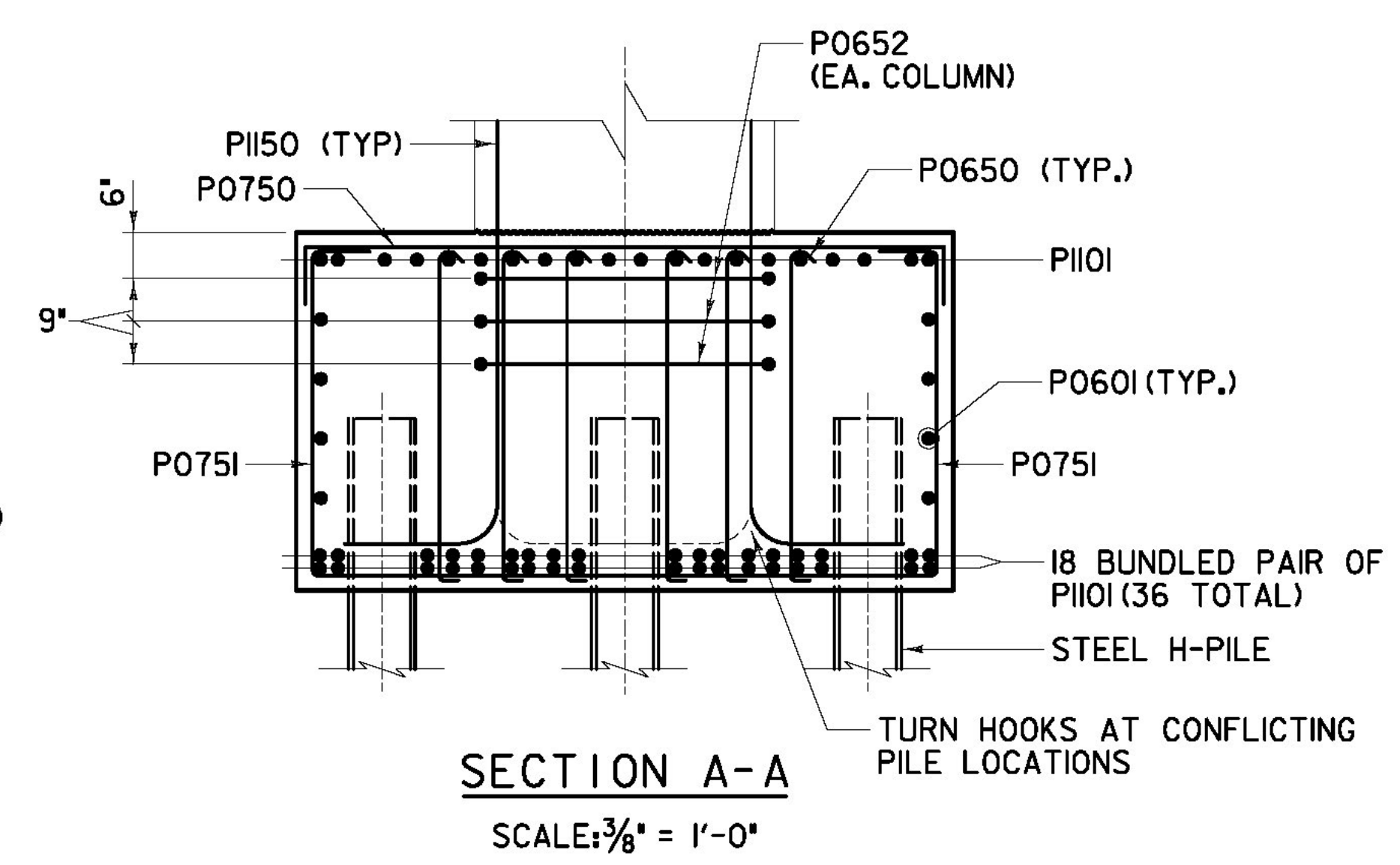
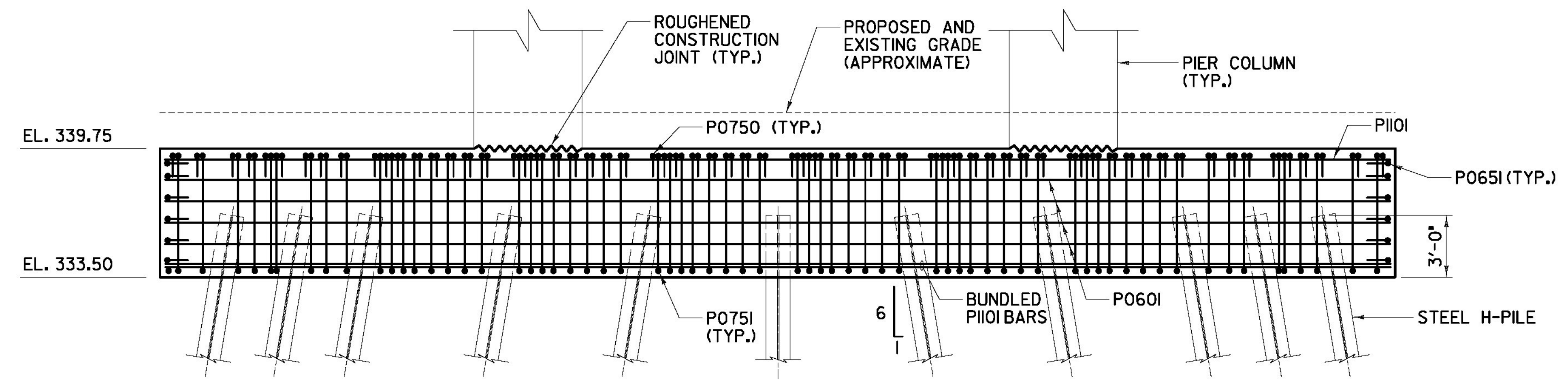


BR6S - PIER #1 - PILE CAP PLAN
SCALE: 1/4" = 1'-0"



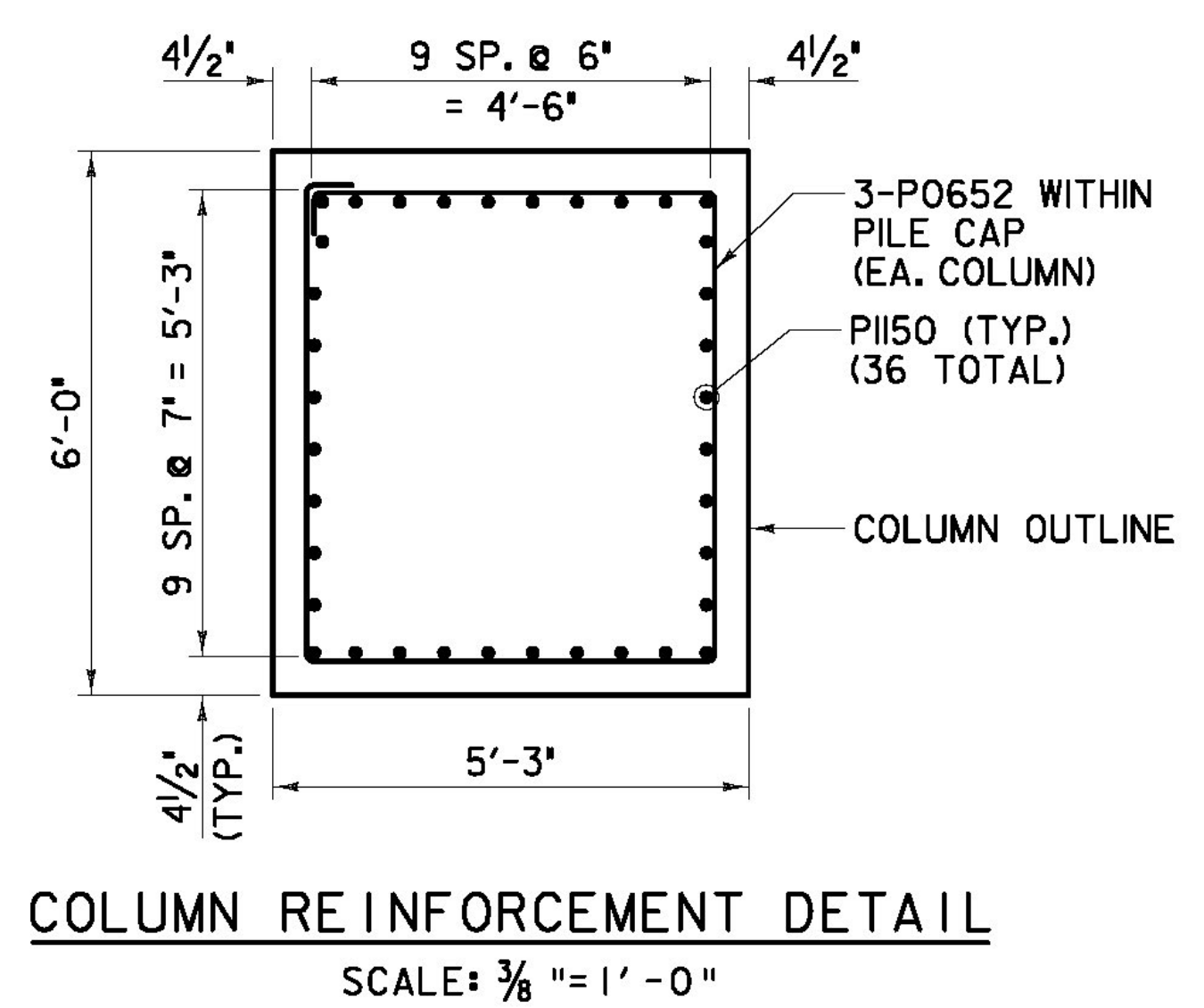
LEGEND:
 DENOTES VERTICAL HPI4X17 PILES
 DENOTES BATTERED HPI4X17 PILES



BR6S - PIER #1 - PILE CAP ELEVATION
SCALE: 1/4" = 1'-0"

WORK POINT GEOMETRY				
WORK POINT #	STATION	OFFSET	N	E
W.P. 1	563+21.43	0.00	127134.97	1619319.16
W.P. 2	563+20.51	35.04' LT.	127117.72	1619288.65
W.P. 3	563+22.06	22.94' RT.	127146.26	1619339.14

NOTES:
 1. SEE SHEET 'ZB-100-BR6-102' FOR SUBSTRUCTURE AND FOUNDATION NOTES.
 2. ROUGHENED CONSTRUCTION JOINTS SHALL BE RAKE FINISHED TO 1/4" NOMINAL AMPLITUDE.



COLUMN REINFORCEMENT DETAIL
SCALE: 3/8" = 1'-0"

AS BUILT
RECORD PLANS

BECK & BELLUCCI, INC. **TYLININTERNATIONAL**

PROJECT NAME: BRATTLEBORO
 PROJECT NUMBER: IM 091-(K50)
 FILE NAME: ZB-100-BR6-360.dgn
 PROJECT LEADER: Phillip E. Kendall P.E.
 DESIGNED BY: Josh Olund, P.E.
 BR6S PIER 1 FOOTING PLAN, ELEV., REINF.
 PLOT DATE: 5/15/2013
 DRAWN BY: S. A. Morgan
 CHECKED BY: C. Taylor
 SHEET ZB-100-BR6-360