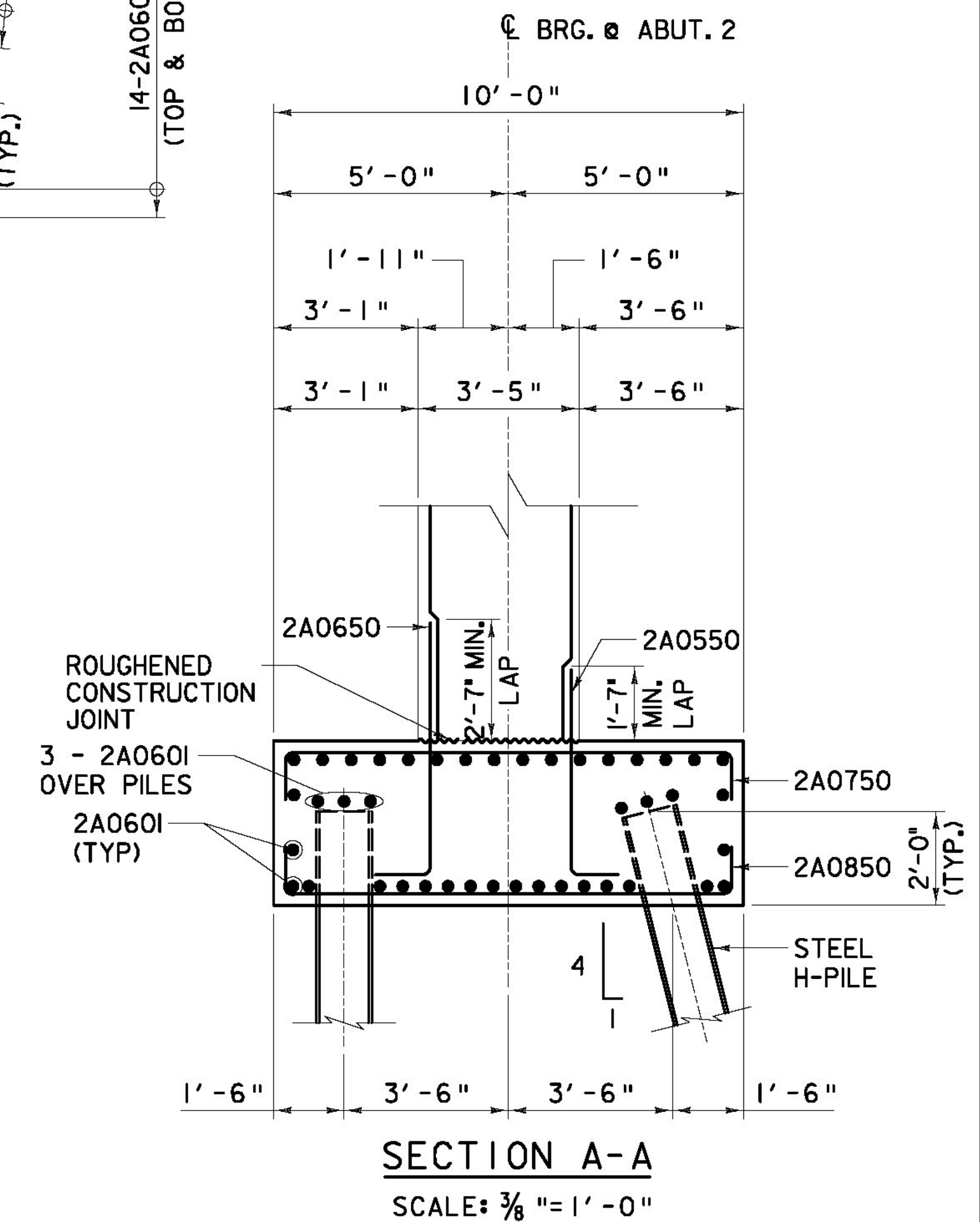


LEGEND:

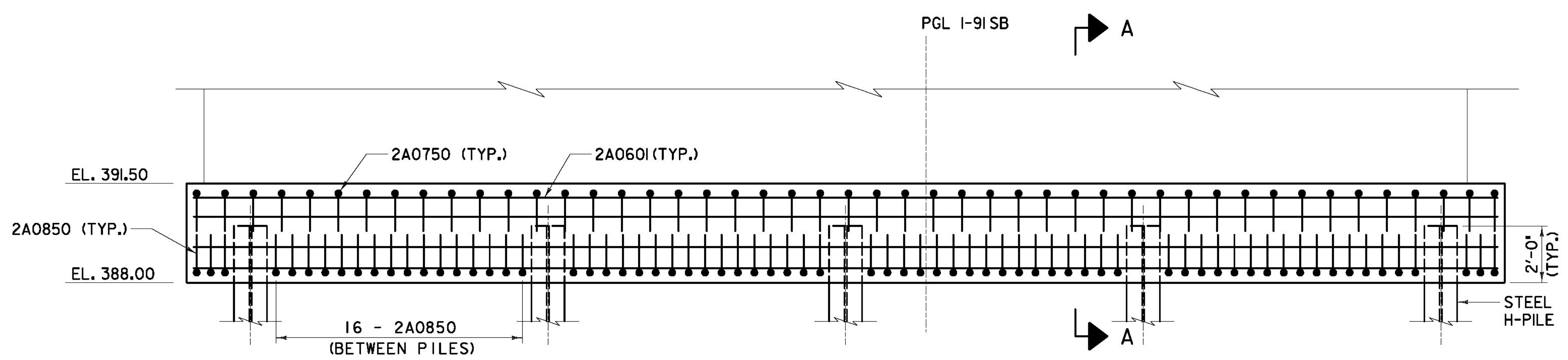
DENOTES VERTICAL HPI4XII7 PILES

DENOTES BATTERED HPI4XII7 PILES

BR6S - ABUTMENT #2 - PILE CAP PLAN
SCALE: 3/8" = 1' - 0"



- NOTES:**
- SEE SHEET 'ZB-100-BR6-357' FOR WORK POINT COORDINATES.
 - SEE SHEET 'ZB-100-BR6-357' FOR ABUTMENT LAYOUT.
 - SEE SHEET 'ZB-100-BR6-102' FOR SUBSTRUCTURE AND FOUNDATION NOTES.
 - PROPOSED PILES MAY BE SHIFTED UP TO 2 FT., PARALLEL WITH THE CENTERLINE BEARING, TO AVOID CONFLICTS WITH EXISTING PILES. MAXIMUM PILE SPACING SHALL NOT EXCEED 12' - 6".



BR6S - ABUTMENT #2 - PILE CAP ELEVATION
(LOOKING UP STATION)
SCALE: 3/8" = 1' - 0"

AS BUILT
RECORD PLANS

BECK & BELLUCCI, INC.	TYLIN INTERNATIONAL	PROJECT NAME: BRATTLEBORO	FILE NAME: ZB-100-BR6-356.dgn	PLOT DATE: 5/15/2013
		PROJECT NUMBER: IM 09I-(K50)	PROJECT LEADER: Phillip E. Kendall P.E.	DRAWN BY: S. Morgan
		DESIGNED BY: Josh Olund P.E.	CHECKED BY: Peter Smith P.E.	BR6S ABUTMENT 2 FOOTING PLAN & REINF. SHEET ZB-100-BR6-356