

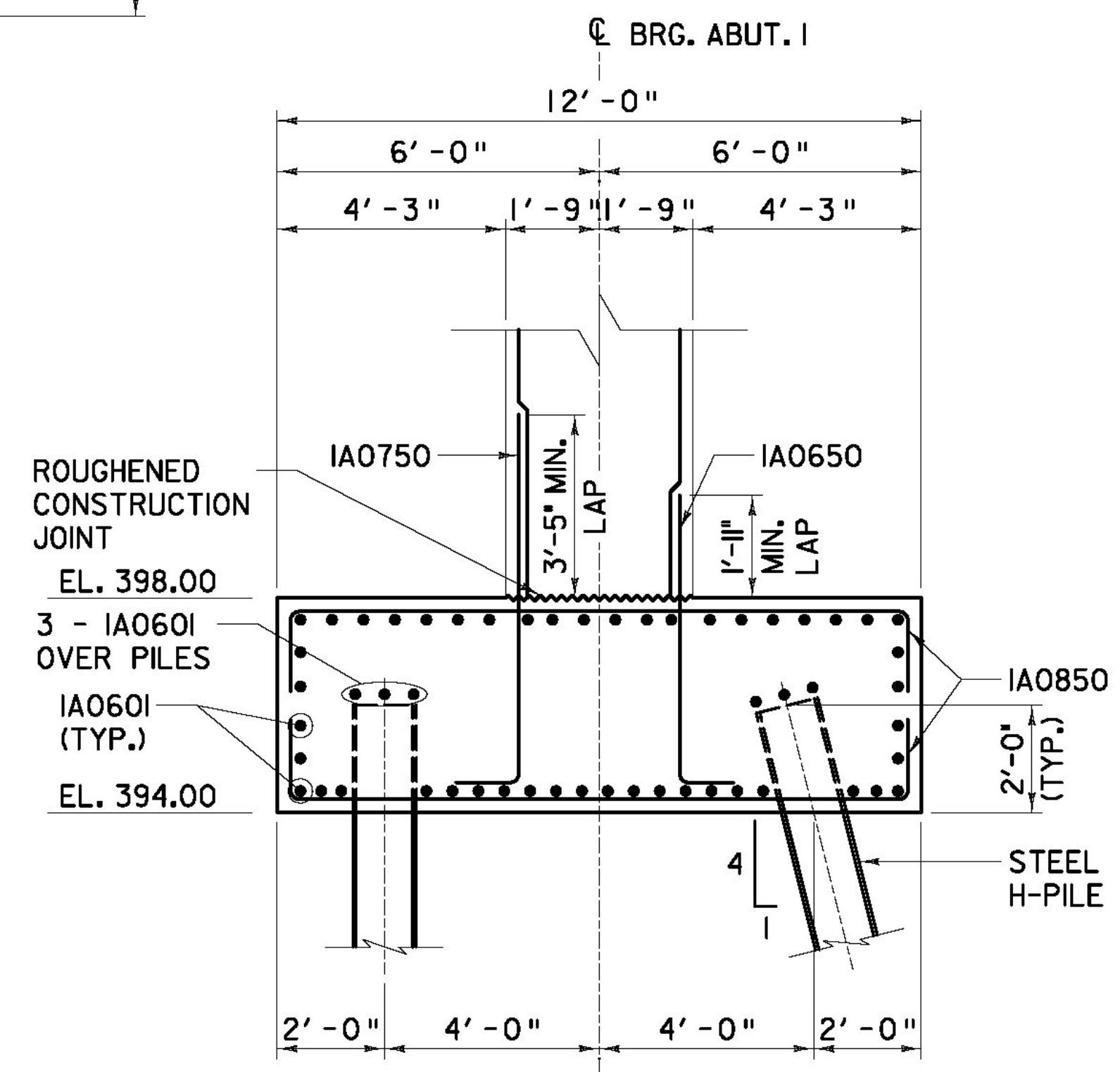
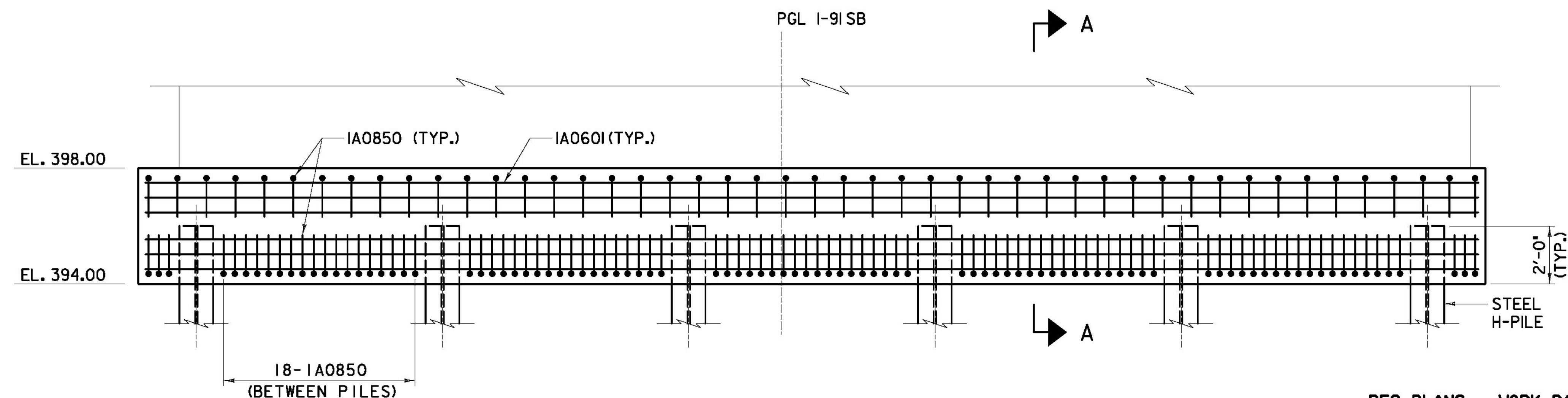


**BR6S - ABUTMENT #1 - PILE CAP PLAN**  
SCALE: 3/8" = 1' - 0"

**LEGEND:**  
 DENOTES VERTICAL HPI4X17 PILES  
 DENOTES BATTERED HPI4X17 PILES



**SECTION A-A**  
SCALE: 3/8" = 1' - 0"



**BR6S - ABUTMENT #1 - PILE CAP ELEVATION**  
(LOOKING BACK ON STA.)  
SCALE: 3/8" = 1' - 0"

- NOTES:**
1. SEE SHEET 'ZB-100-BR6-352' FOR WORK POINT COORDINATES.
  2. SEE SHEET 'ZB-100-BR6-352' FOR ABUTMENT LAYOUT.
  3. SEE SHEET 'ZB-100-BR6-102' FOR SUBSTRUCTURE AND FOUNDATION NOTES.

RFC PLANS - WORK PACKAGE #8  
BRIDGE 6S SUBSTRUCTURE  
JANUARY 17, 2012

**BECK & BELLUCCI, INC.** **TYLIN INTERNATIONAL**

PROJECT NAME: BRATTLEBORO  
PROJECT NUMBER: IM 091-(K50)  
FILE NAME: ZB-100-BR6-351.dgn PLOT DATE: 1/17/2012  
PROJECT LEADER: Phillip E. Kendall P.E. DRAWN BY: S. Morgan  
DESIGNED BY: Josh Olund P.E. CHECKED BY: Peter Smith P.E.  
ABUTMENT 1 FOOTING PLAN & REINFORCEMENT SHEET ZB-100-BR6-351

**AS BUILT  
RECORD PLANS**