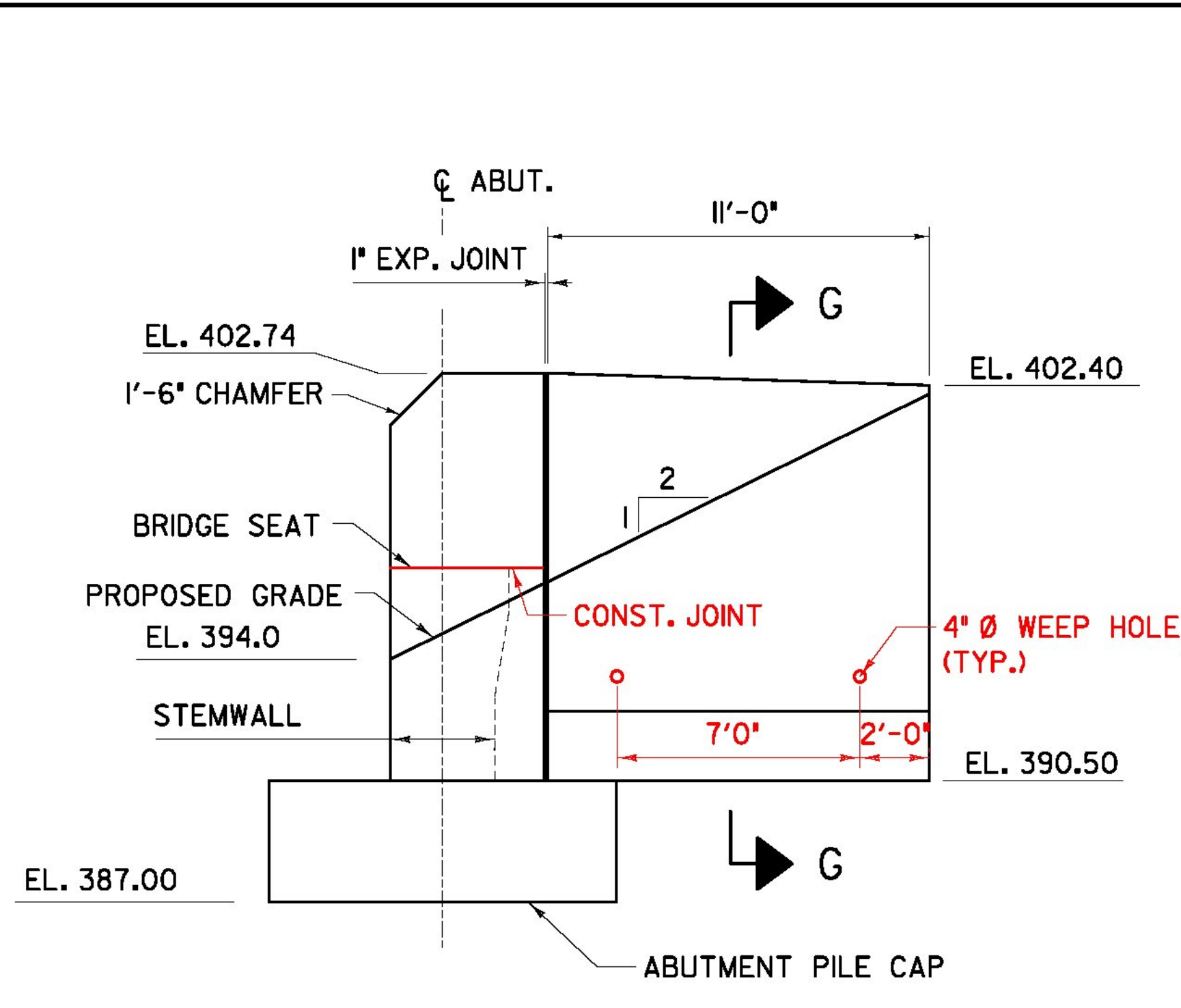
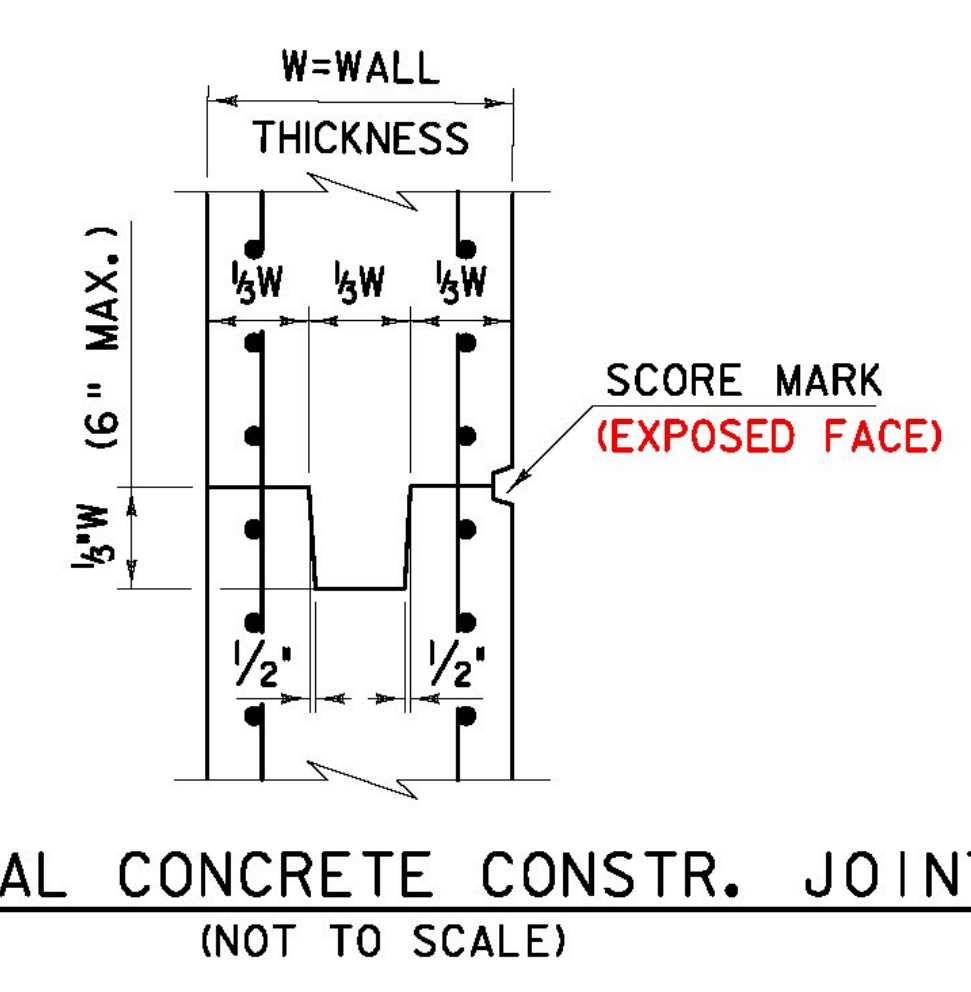


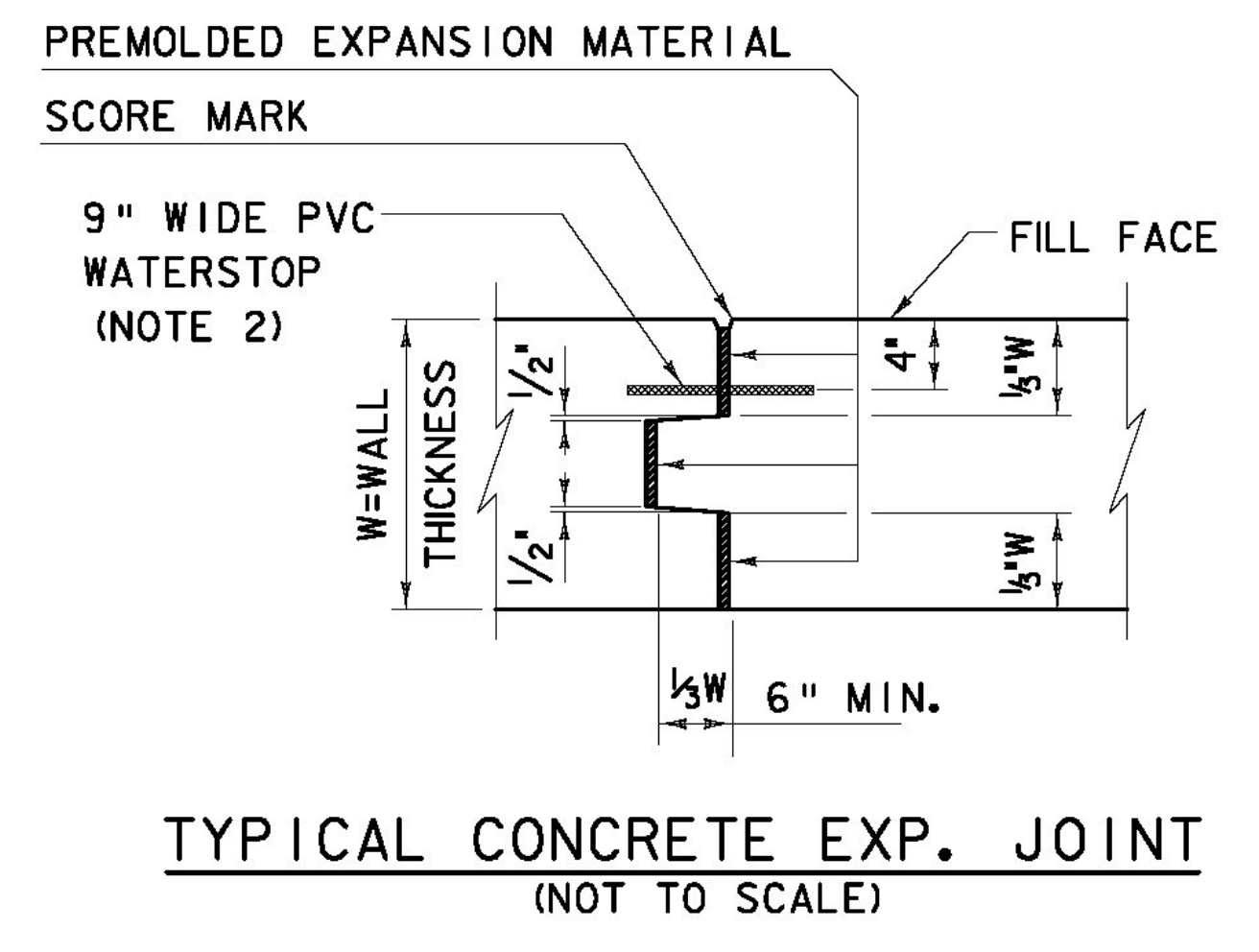
**ABUTMENT #2 - ELEVATION OF WW#3**  
SCALE: 1/4" = 1' - 0"



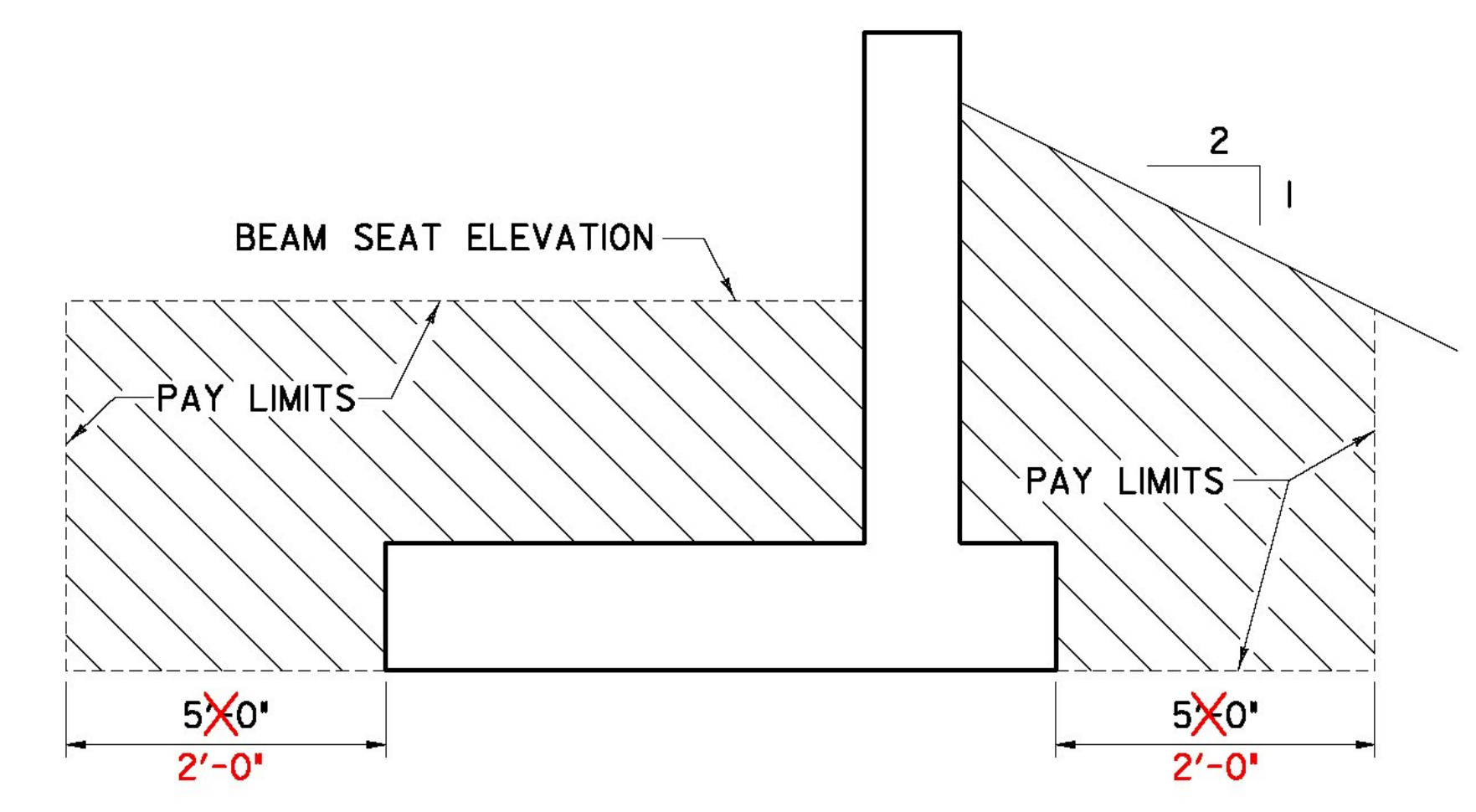
**ABUTMENT 2 - ELEVATION OF WW#4**  
SCALE: 1/4" = 1' - 0"



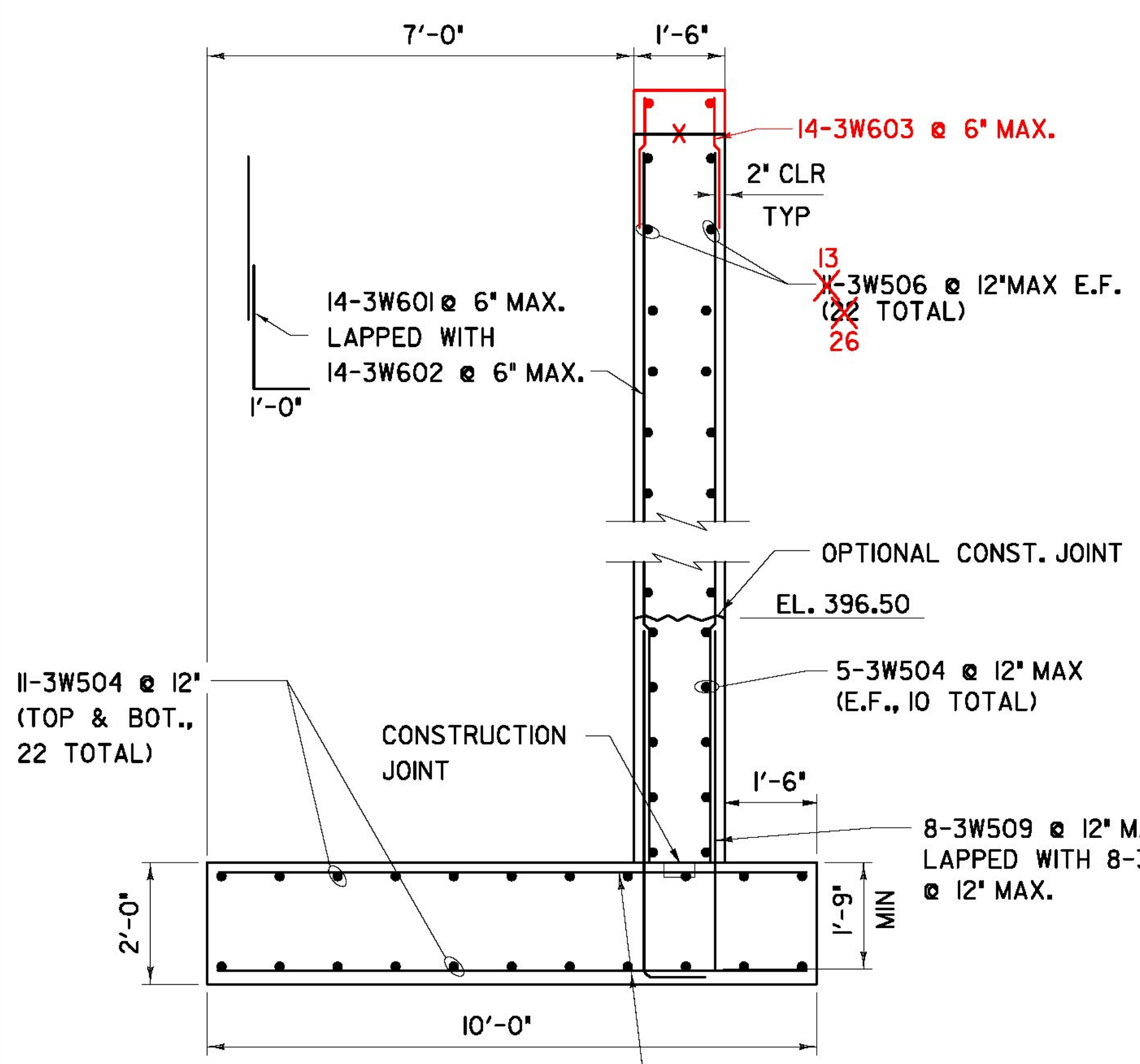
**TYPICAL CONCRETE CONSTR. JOINT**  
(NOT TO SCALE)



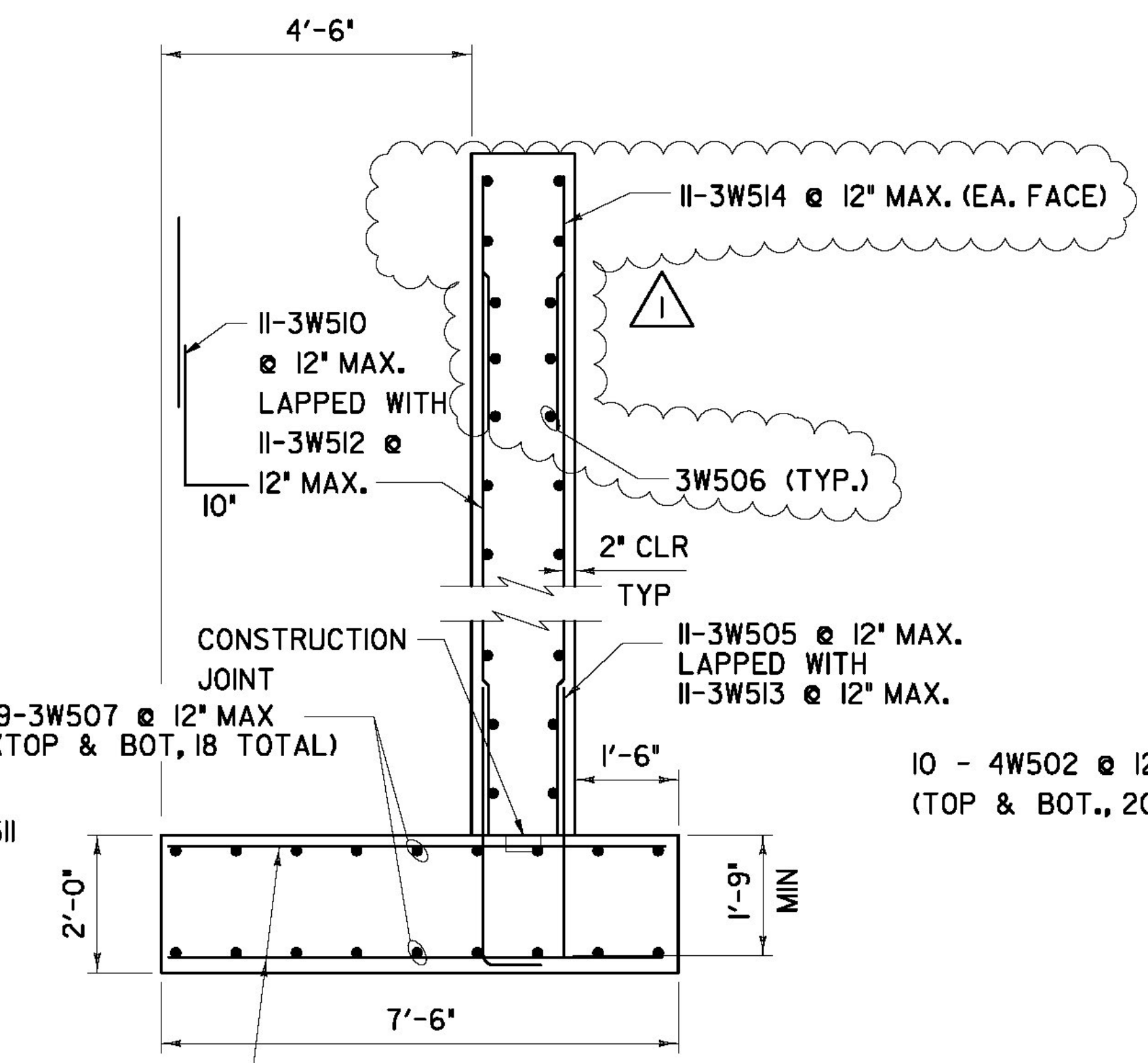
**TYPICAL CONCRETE EXP. JOINT**  
(NOT TO SCALE)



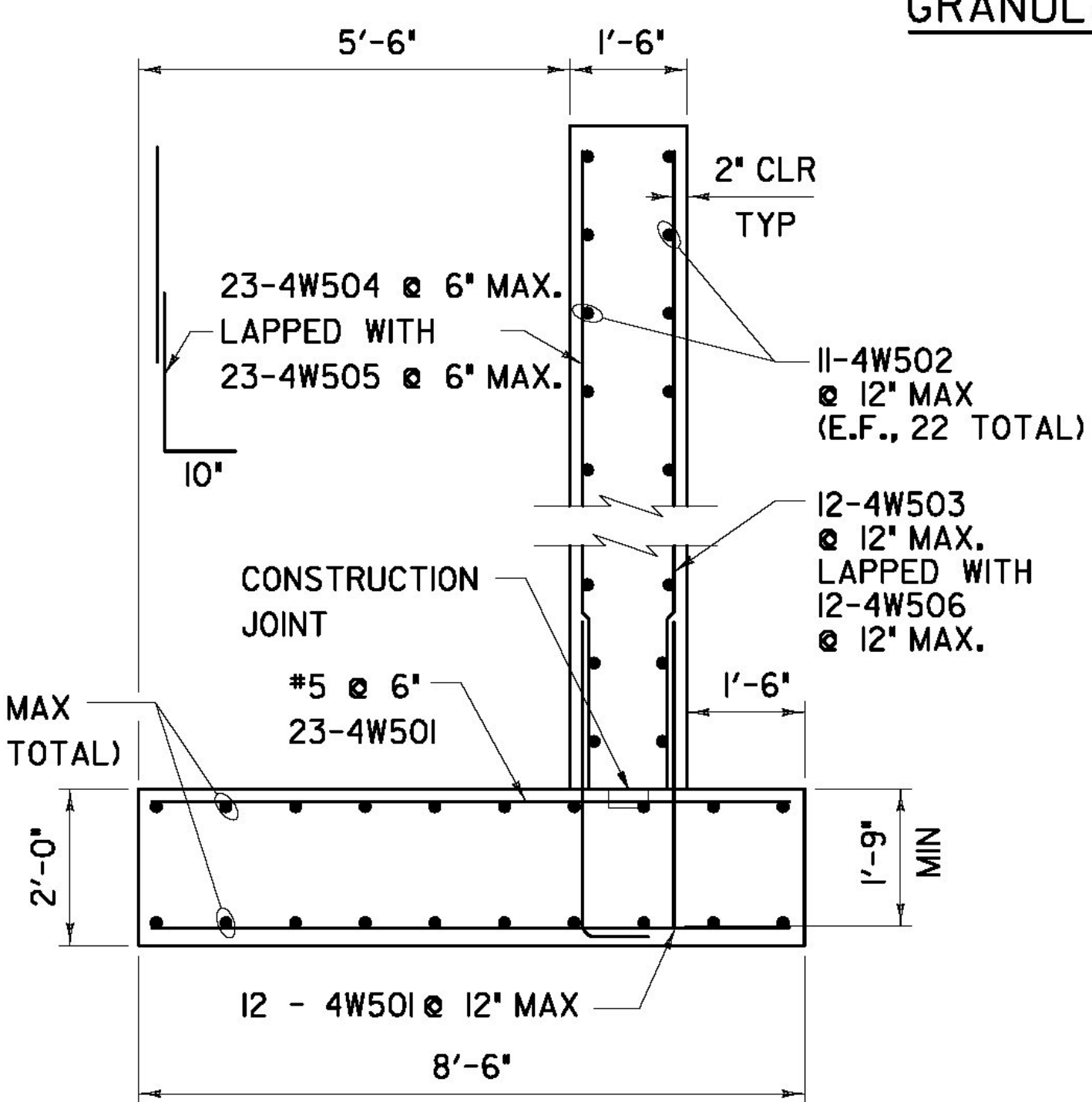
**TYPICAL RETAINING WALL PAY LIMITS FOR GRANULAR BACKFILL FOR STRUCTURES**  
(NOT TO SCALE)



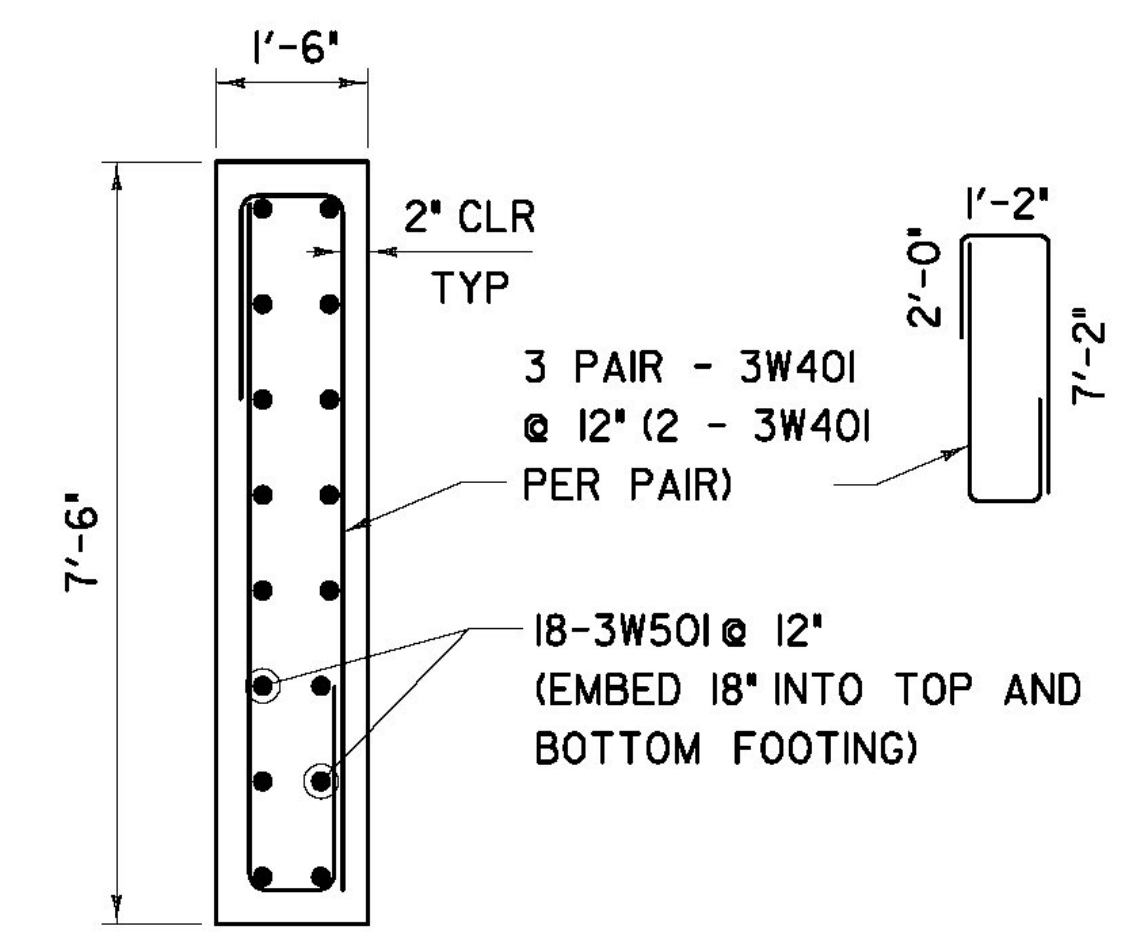
**SECTION D-D**  
SCALE: 1/2" = 1' - 0"



**SECTION F-F**  
SCALE: 1/2" = 1' - 0"



**SECTION G-G**  
SCALE: 1/2" = 1' - 0"



**SECTION H-H**  
SCALE: 1/2" = 1' - 0"

- NOTES:**
- SEE 'ZB-100-BR6-302' FOR ADDITIONAL NOTES.
  - ALTERNATE WATERSTOP DETAILS MAY BE PROPOSED AND USED, IF APPROVED BY THE ENGINEER.

**AS BUILT RECORD PLANS**

REVISION #	DESCRIPTION	DATE
REVISION 1	ELEVATION CORRECTION	08/09/11

PROJECT NAME: BRATTLEBORO  
PROJECT NUMBER: IM 091-(150)  
FILE NAME: ZB-100-BR6-304.dgn  
PROJECT LEADER: Phillip E. Kendall P.E.  
DESIGNED BY: Richard Bollinger, P.E.  
BR 6N - WINGWALL PLAN & ELEVATION

PLOT DATE: 5/15/2013  
DRAWN BY: WDR/DGA  
CHECKED BY: J. Krajewski, P.E.  
SHEET ZB-100-BR6-304

**BECK & BELLUCCI, INC.** **TYLIN INTERNATIONAL**