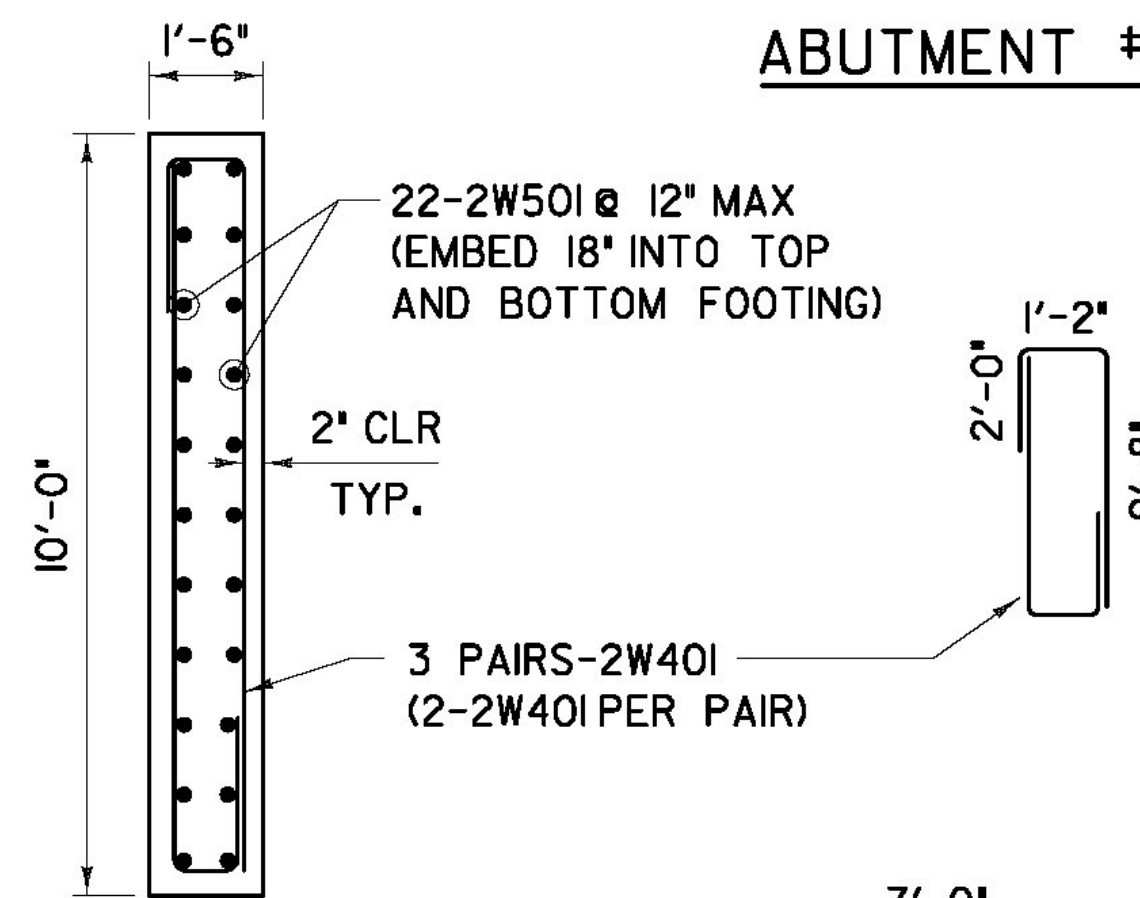


SECTION C-C
SCALE: 3/8" = 1'-0"

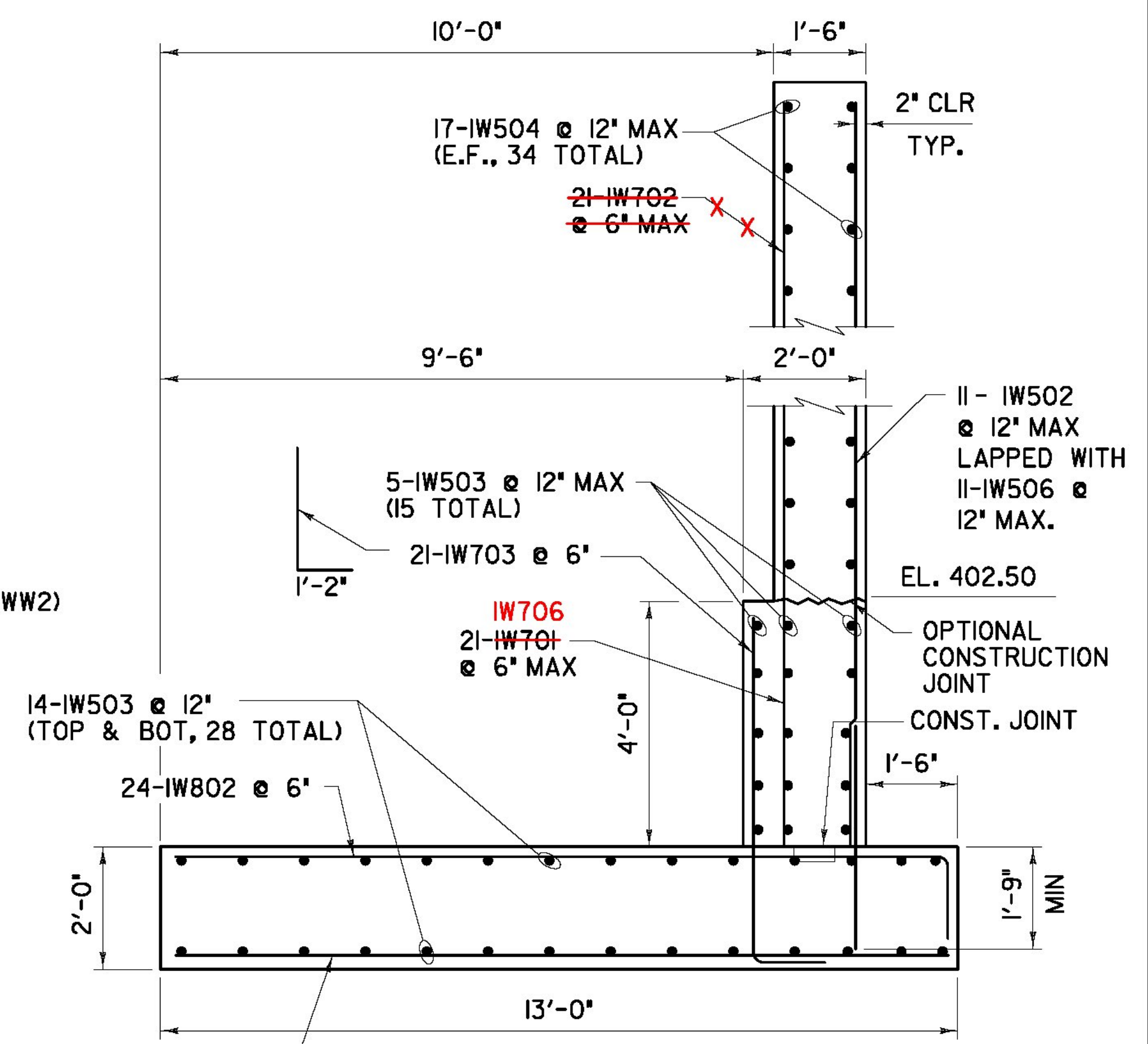
ABUTMENT #1 - ELEVATION OF WW#2
SCALE: 1/4" = 1'-0"

ABUTMENT #1 - ELEVATION OF WW#1
SCALE: 1/4" = 1'-0"

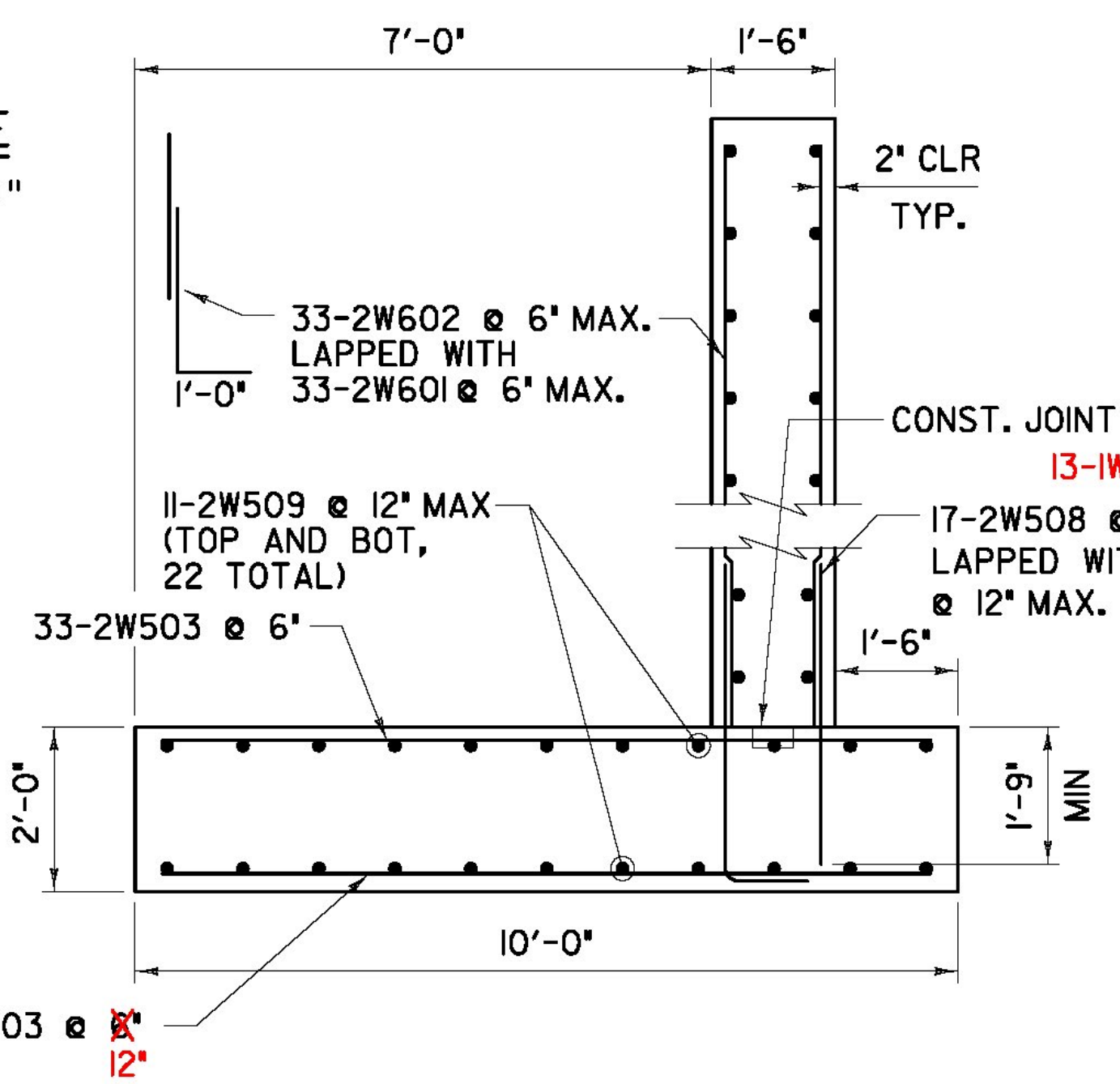
- NOTES:
- SEE 'ZB-100-BR6-304' FOR CONSTRUCTION JOINT DETAILS AND BACKFILL LIMITS.
 - CONTRACTION JOINTS SHALL BE FORMED USING A 3/4" V-NOTCH ON THE EXPOSED FACE ONLY.



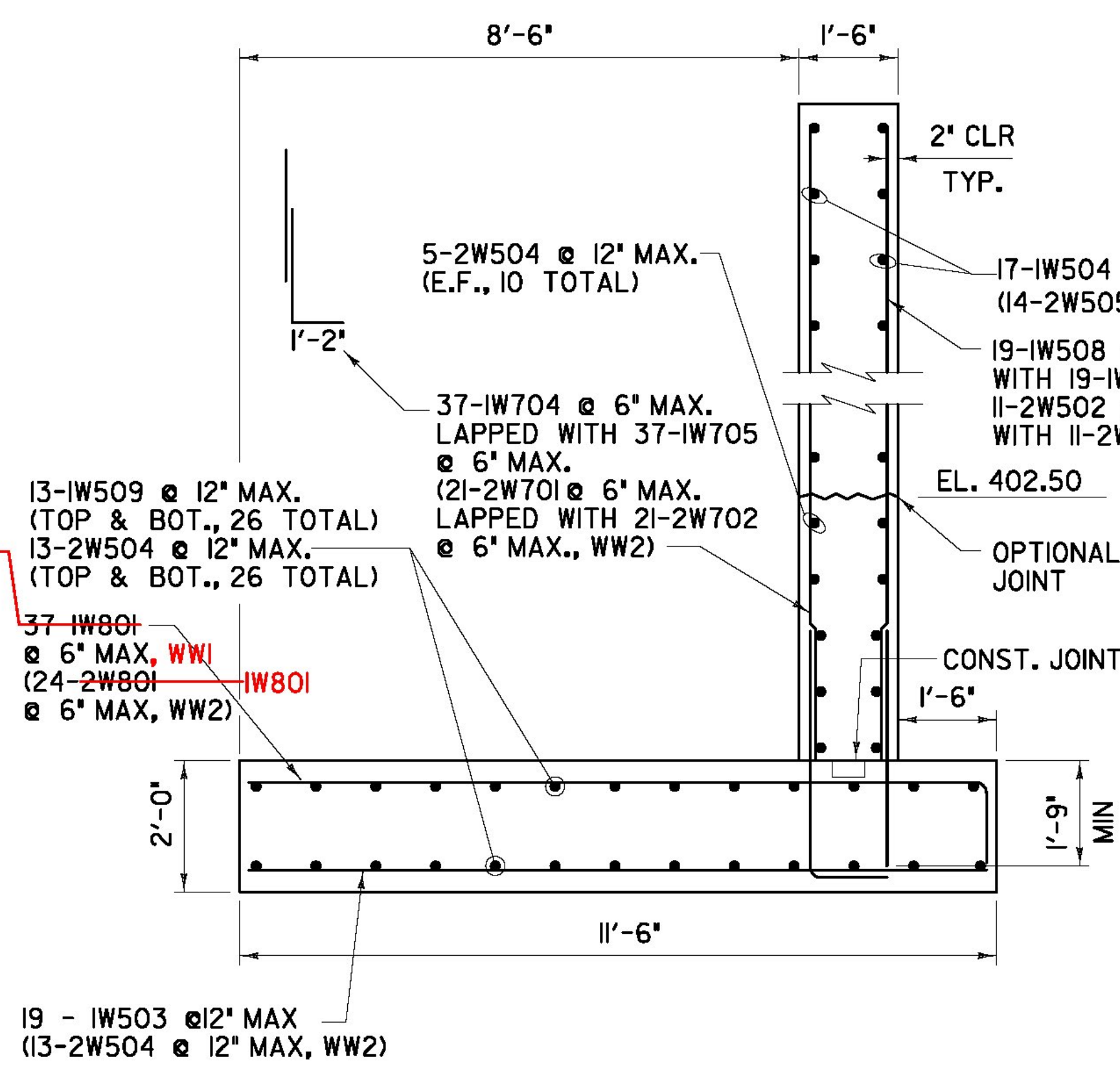
SECTION E-E
SCALE: 3/8" = 1'-0"



SECTION A-A
SCALE: 1/2" = 1'-0"



SECTION D-D
SCALE: 1/2" = 1'-0"



SECTION B-B
SCALE: 1/2" = 1'-0"

REVISION #	DESCRIPTION	DATE
REVISION 1	BAR NOMENCLATURE	07/27/11

AS BUILT RECORD PLANS

PROJECT NAME:	BRATTLEBORO
PROJECT NUMBER:	IM 091-(K50)
FILE NAME:	ZB-100-BR6-302.dgn
PROJECT LEADER:	Phillip E. Kendall P.E.
DESIGNED BY:	Richard Bollinger, P.E.
BR 6N - WINGWALL PLAN & ELEVATION	
PLOT DATE:	5/15/2013
DRAWN BY:	WDR/DGA
CHECKED BY:	J. Krzajewski P.E.
SHEET	ZB-100-BR6-302

BECK & BELLUCCI, INC. TYLIN INTERNATIONAL