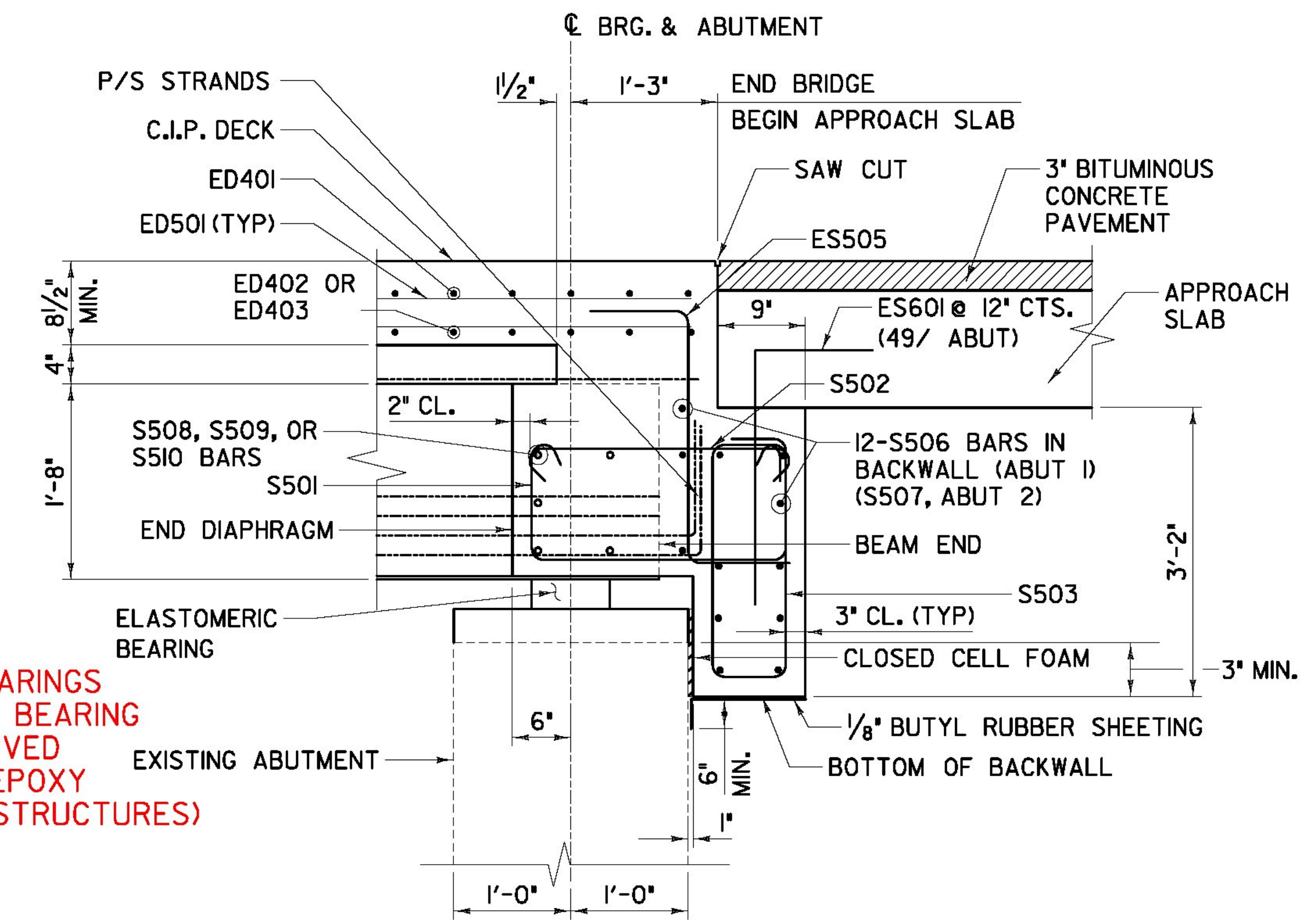
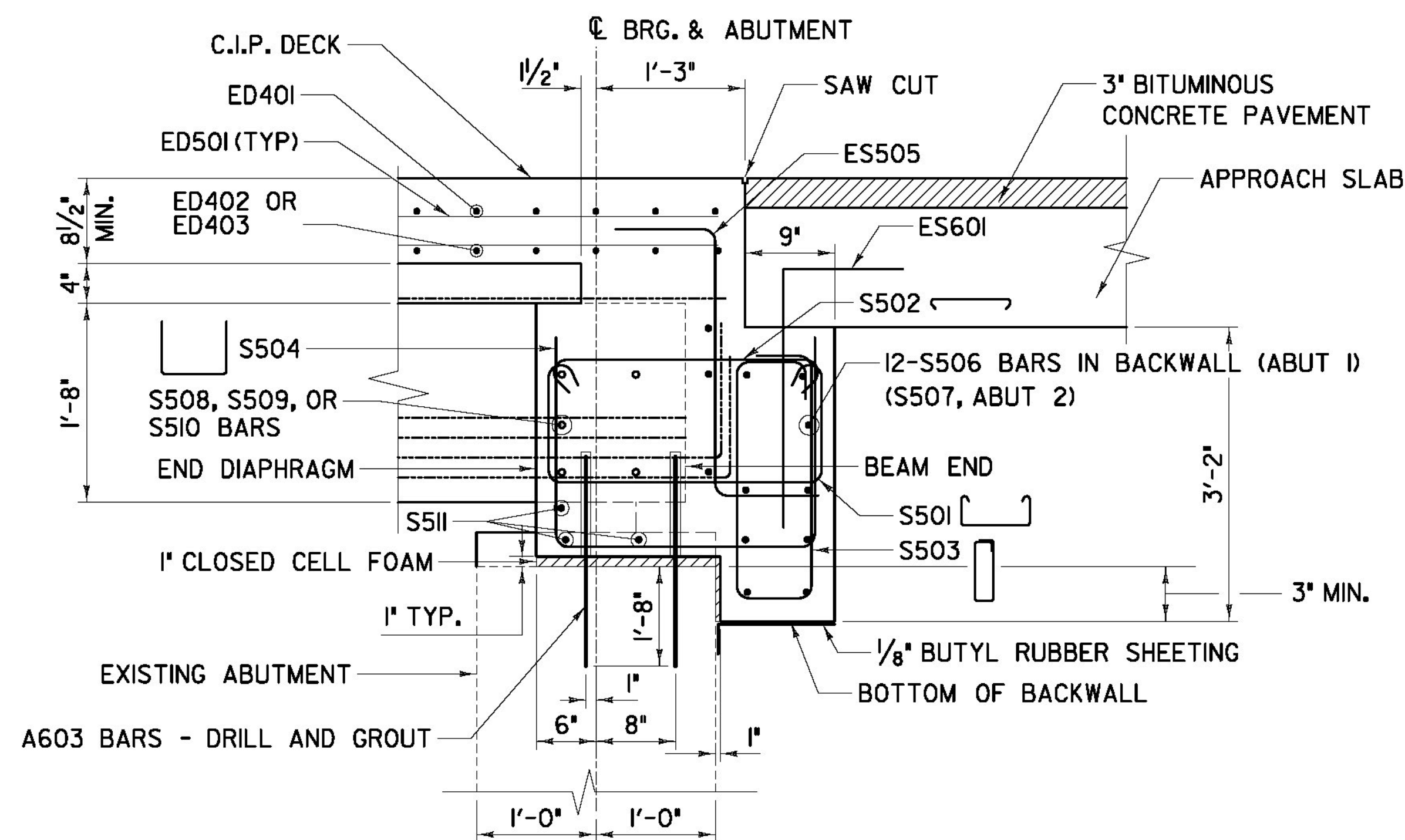


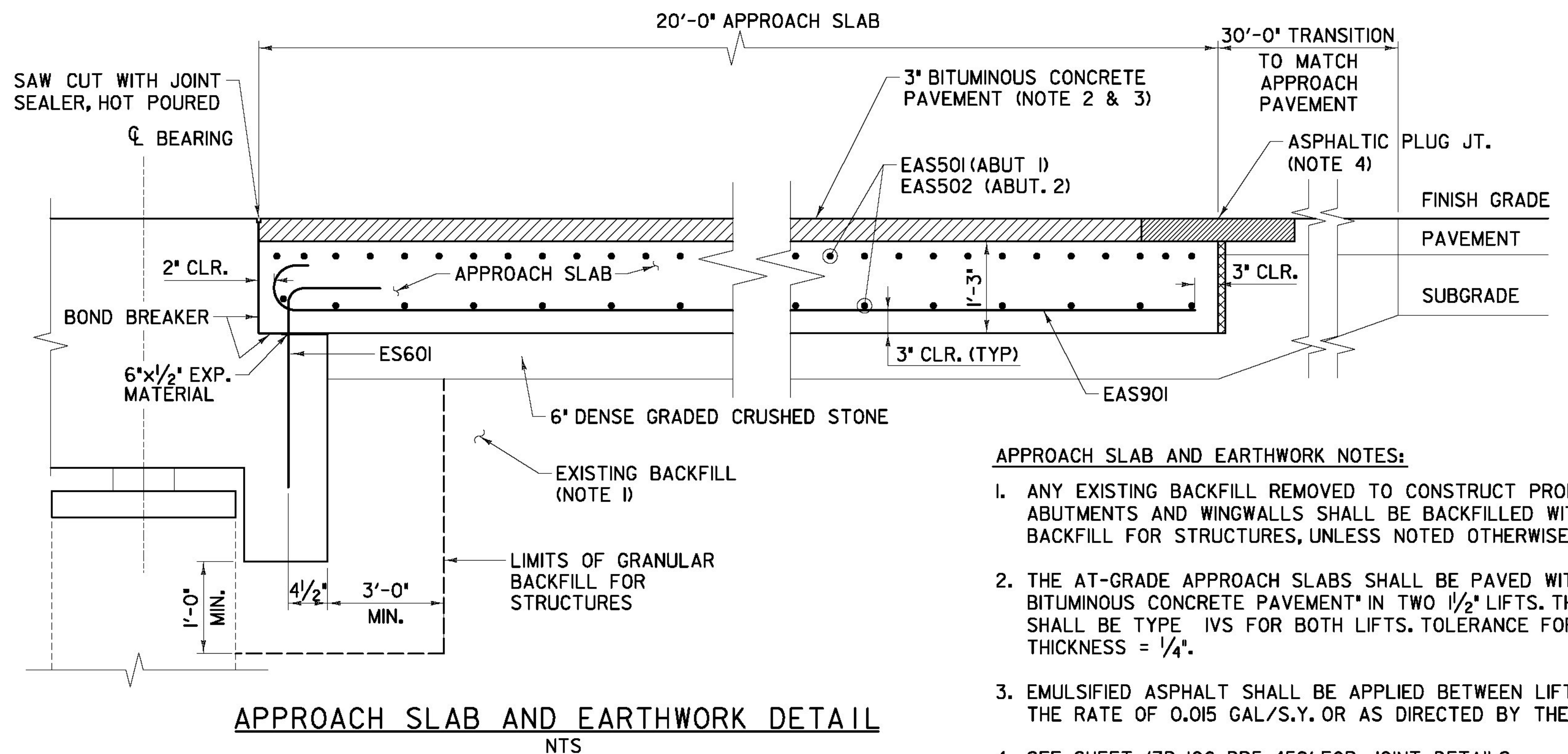
**ABUTMENT DIAPHRAGM AND BACKWALL DETAILS**  
NTS



**SECTION THRU ABUTMENT DIAPHRAGM**  
NTS  
ALL DIMENSIONS NORMAL TO  $\phi$  ABUTMENT



**SECTION THRU ABUTMENT DIAPHRAGM AT SHEAR KEY**  
NTS  
ALL DIMENSIONS NORMAL TO  $\phi$  ABUTMENT



**APPROACH SLAB AND EARTHWORK DETAIL**  
NTS

**APPROACH SLAB AND EARTHWORK NOTES:**

1. ANY EXISTING BACKFILL REMOVED TO CONSTRUCT PROPOSED PORTION OF ABUTMENTS AND WINGWALLS SHALL BE BACKFILLED WITH GRANULAR BACKFILL FOR STRUCTURES, UNLESS NOTED OTHERWISE.
2. THE AT-GRADE APPROACH SLABS SHALL BE PAVED WITH ITEM 406.25, BITUMINOUS CONCRETE PAVEMENT\* IN TWO 1/2" LIFTS. THE PAVEMENT SHALL BE TYPE IVS FOR BOTH LIFTS. TOLERANCE FOR TOTAL PAVEMENT THICKNESS = 1/4".
3. EMULSIFIED ASPHALT SHALL BE APPLIED BETWEEN LIFTS OF PAVEMENT AT THE RATE OF 0.015 GAL/S.Y. OR AS DIRECTED BY THE ENGINEER.
4. SEE SHEET 'ZB-100-BR5-459' FOR JOINT DETAILS.

AS BUILT  
RECORD PLANS

PROJECT NAME: BRATTLEBORO

PROJECT NUMBER: IM 091-(K50)

BECK & BELLUCCI, INC.

TYLININTERNATIONAL

FILE NAME: ZB-100-BR5-454.dgn

PLOT DATE: 5/15/2013

PROJECT LEADER: Phillip E. Kendall P.E.

DRAWN BY: S. Morgan

DESIGNED BY: Josh Olund P.E.

CHECKED BY: D. Myers

BR55 ABUTMENT DIAPHRAGM DETAILS

SHEET ZB-100-BR5-454