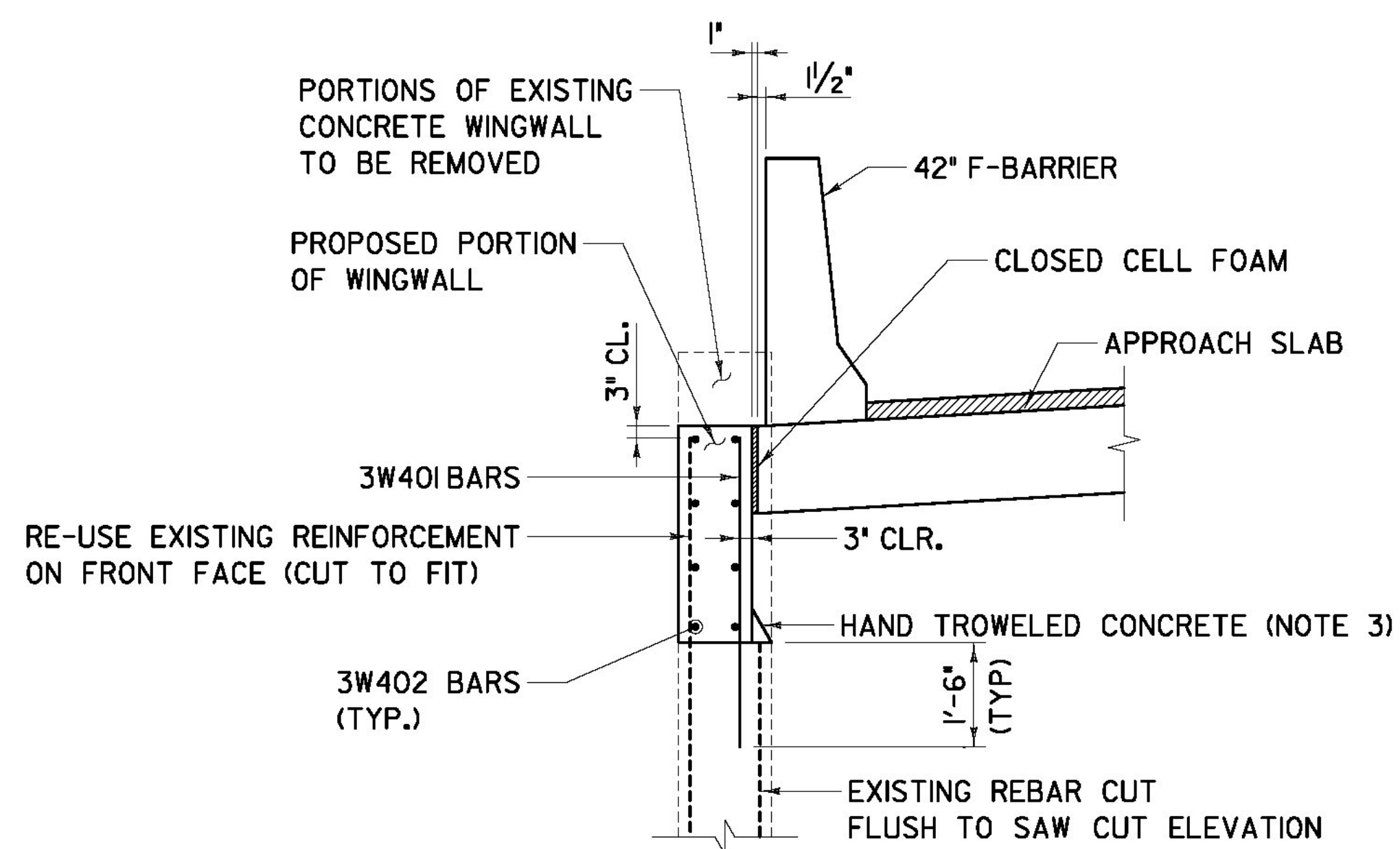
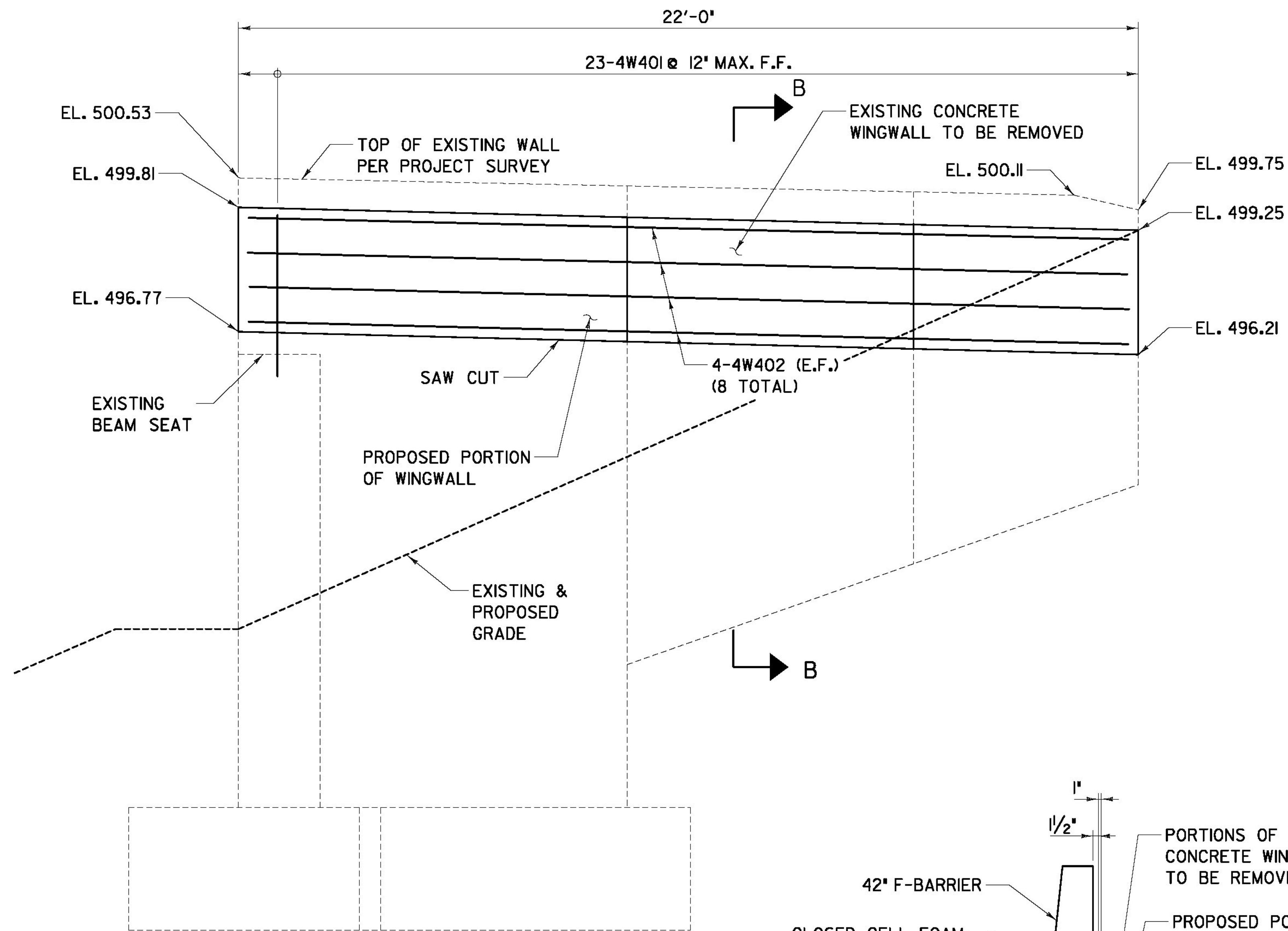


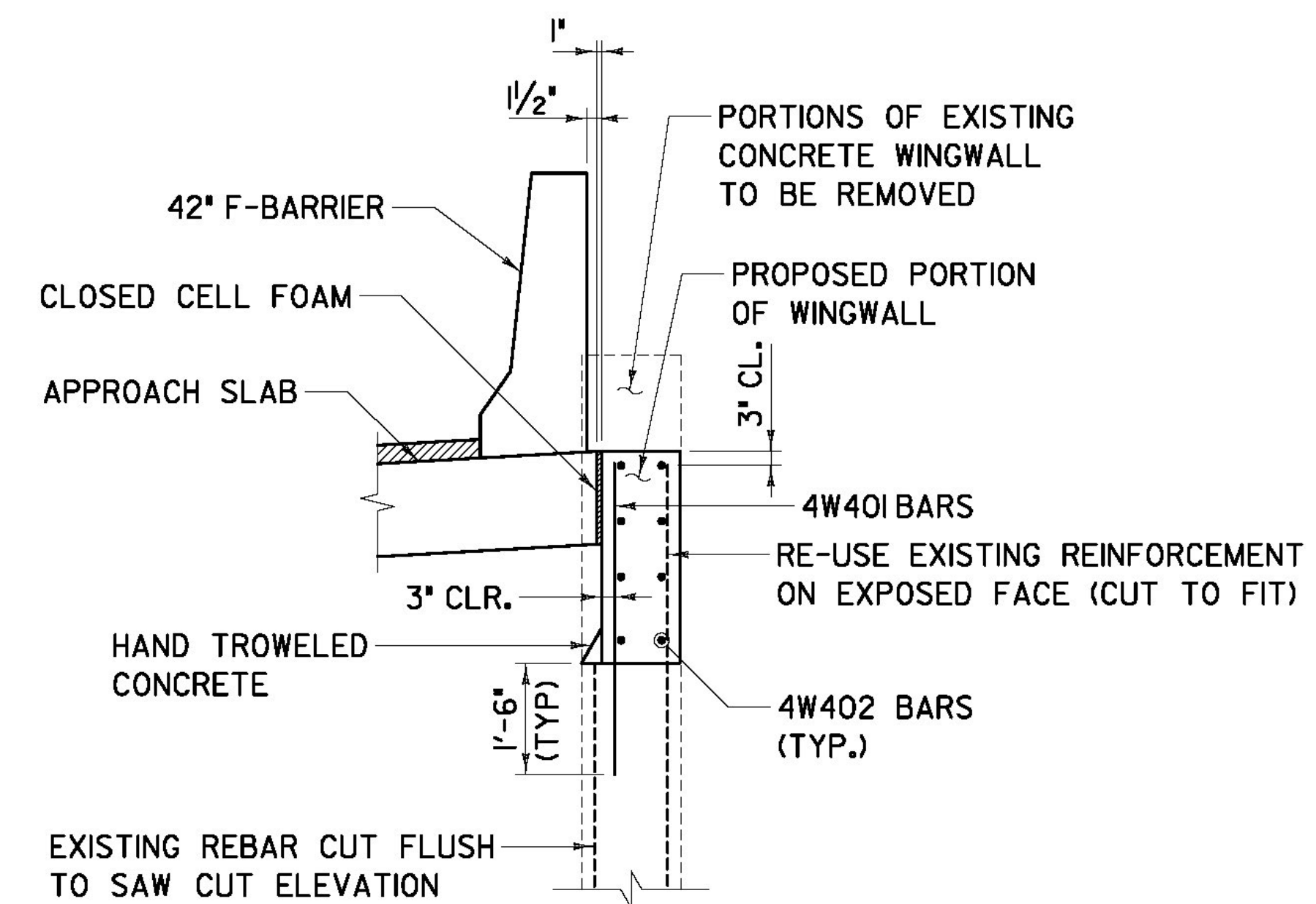
WINGWALL #3 ELEVATION
SCALE: 1/2" = 1' - 0"



SECTION C-C
SCALE: 1" = 1' - 0"



WINGWALL #4 ELEVATION
SCALE: 1/2" = 1' - 0"



SECTION B-B
SCALE: 1" = 1' - 0"

NOTE:

1. SEE 'ZB-100-BR5-352' FOR WINGWALL REPAIR NOTES.

RFC PLANS - WORK PACKAGE #11
BRIDGE 5S
JANUARY 23, 2012

PROJECT NAME: BRATTLEBORO
PROJECT NUMBER: IM 091-(K50)

**AS BUILT
RECORD PLANS**

BECK & BELLUCCI, INC.

TYLIN INTERNATIONAL

FILE NAME: ZB-100-BR5-354.dgn
PROJECT LEADER: Phillip E. Kendall P.E.
DESIGNED BY: Josh Olund P.E.
BR5S ABUTMENT #2 WINGWALL DETAILS

PLOT DATE: 1/23/2012
DRAWN BY: S. A. Morgan
CHECKED BY: D. Myers
SHEET ZB-100-BR5-354