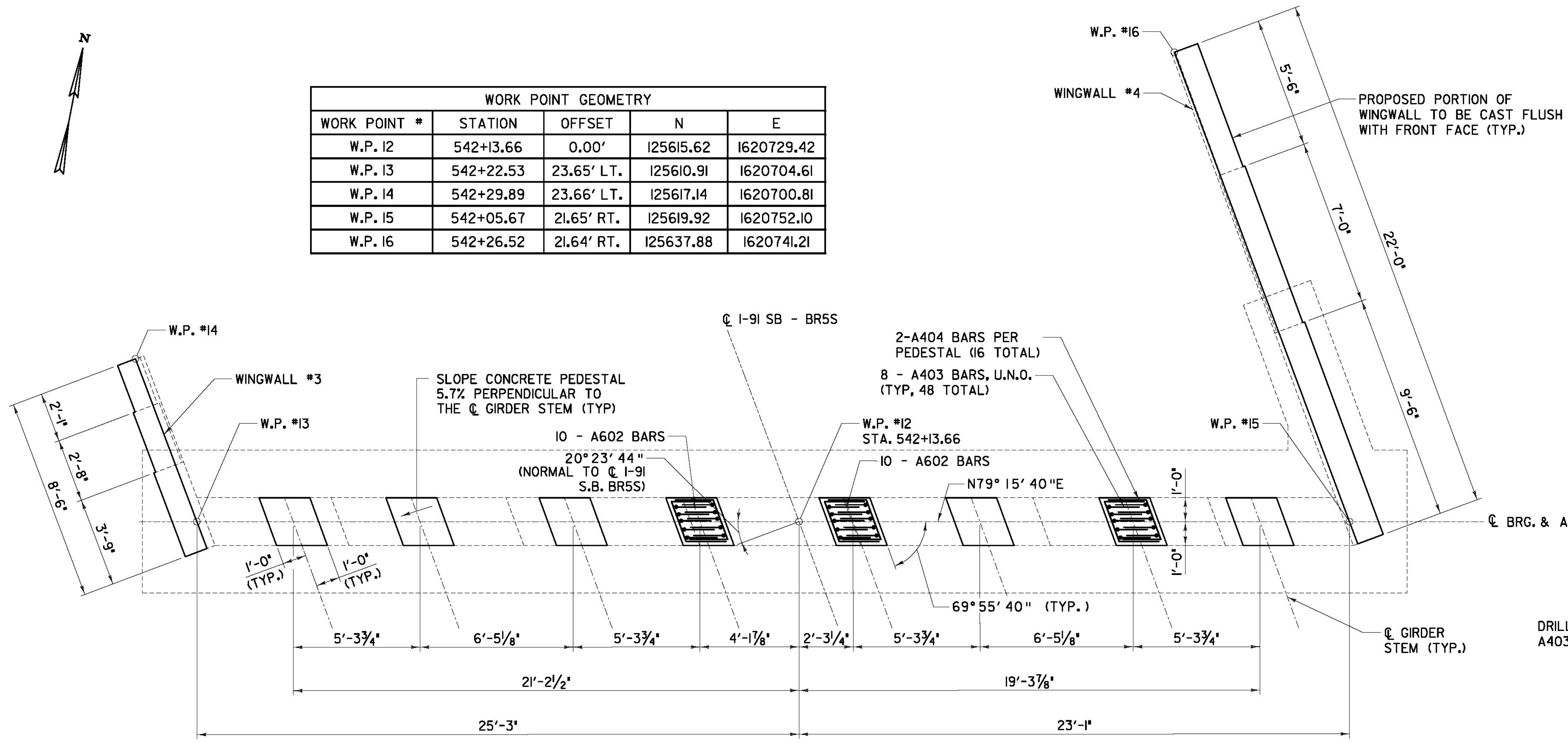
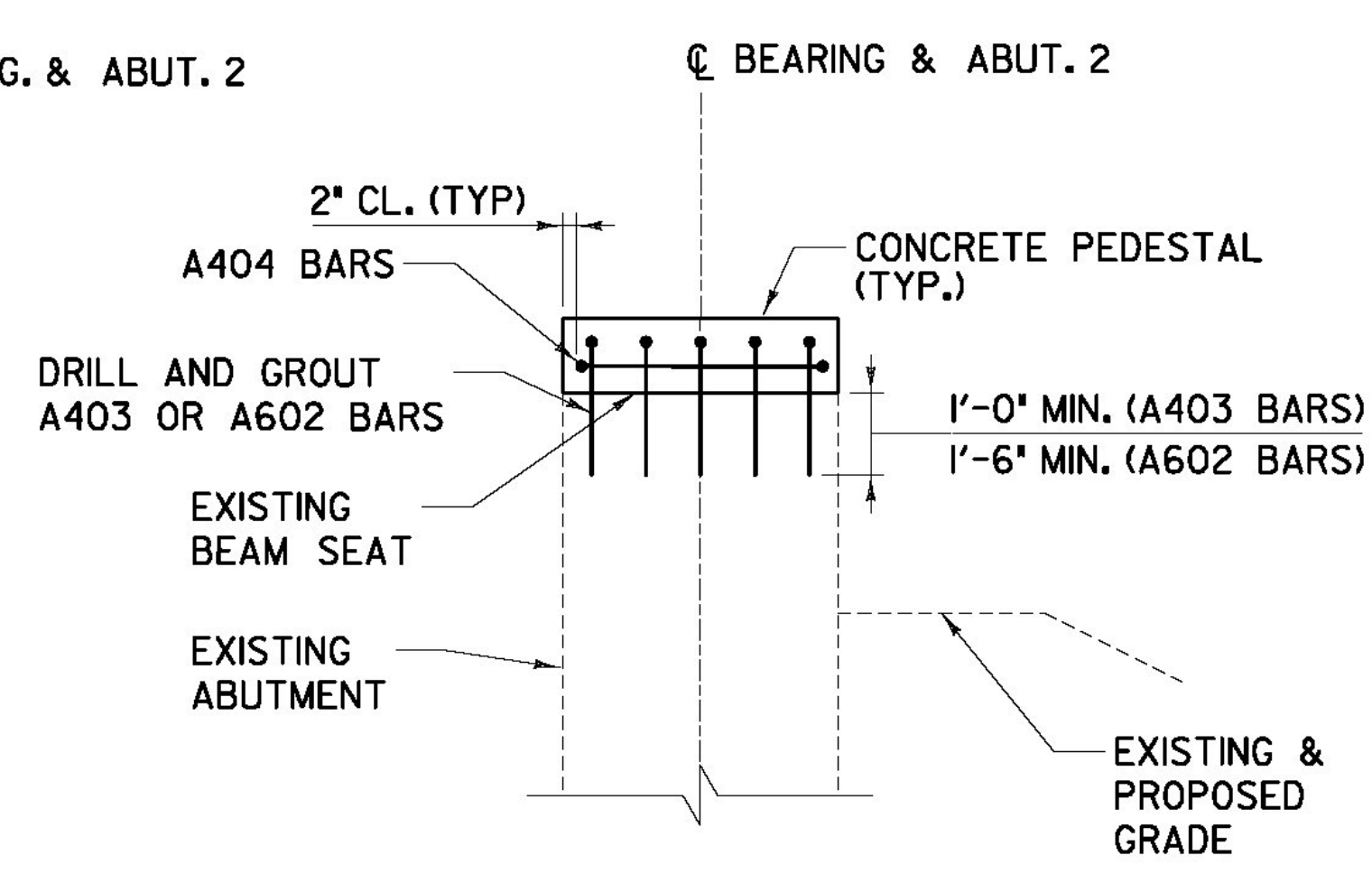




WORK POINT GEOMETRY				
WORK POINT #	STATION	OFFSET	N	E
W.P. 12	542+13.66	0.00'	125615.62	1620729.42
W.P. 13	542+22.53	23.65' LT.	125610.91	1620704.61
W.P. 14	542+29.89	23.66' LT.	125617.14	1620700.81
W.P. 15	542+05.67	21.65' RT.	125619.92	1620752.10
W.P. 16	542+26.52	21.64' RT.	125637.88	1620741.21

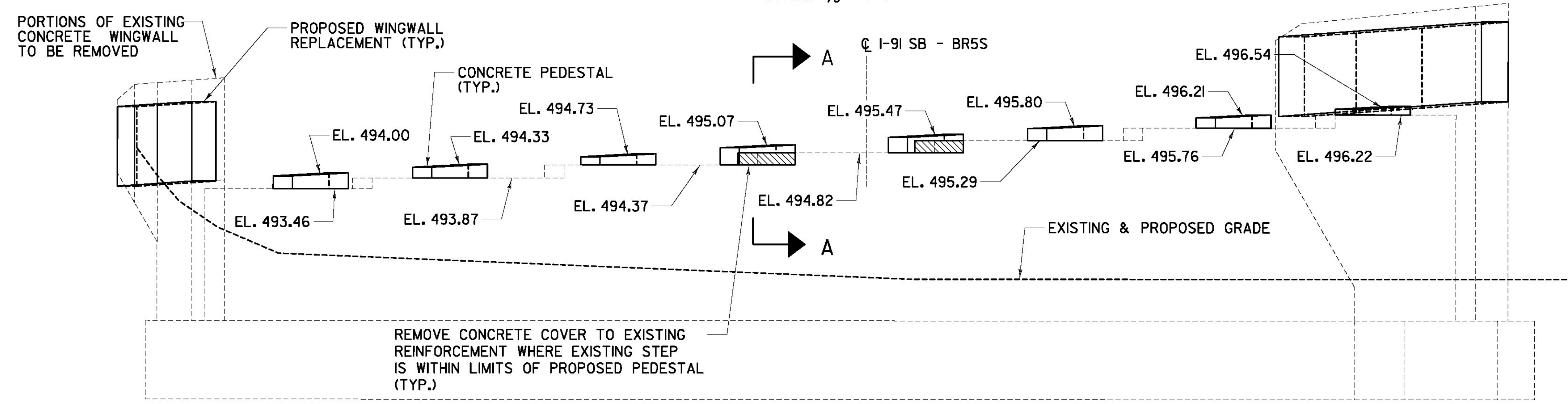


NOTES:
1. SEE SHEET 'ZB-100-BR5-351' FOR NOTES.



ABUTMENT #2 - PLAN
SCALE: 3/8" = 1'-0"

SECTION A-A
SCALE: 3/4" = 1'-0"



ABUTMENT #2 - ELEVATION
SCALE: 3/8" = 1'-0"

EXISTING ABUTMENT PILES NOT SHOWN FOR CLARITY

RFC PLANS - WORK PACKAGE #11
BRIDGE 55
JANUARY 23, 2012

AS BUILT
RECORD PLANS

BECK & BELLUCCI, INC. TYLIN INTERNATIONAL

PROJECT NAME: BRATTLEBORO	PLOT DATE: 1/23/2012
PROJECT NUMBER: IM 091-(K50)	DRAWN BY: S. A. Morgan
FILE NAME: ZB-100-BR5-353.dgn	CHECKED BY: D. Myers
PROJECT LEADER: Phillip E. Kendall P.E.	SHEET ZB-100-BR5-353
DESIGNED BY: Josh Olund P.E.	
BR55 ABUTMENT #2 PLAN & ELEVATION	