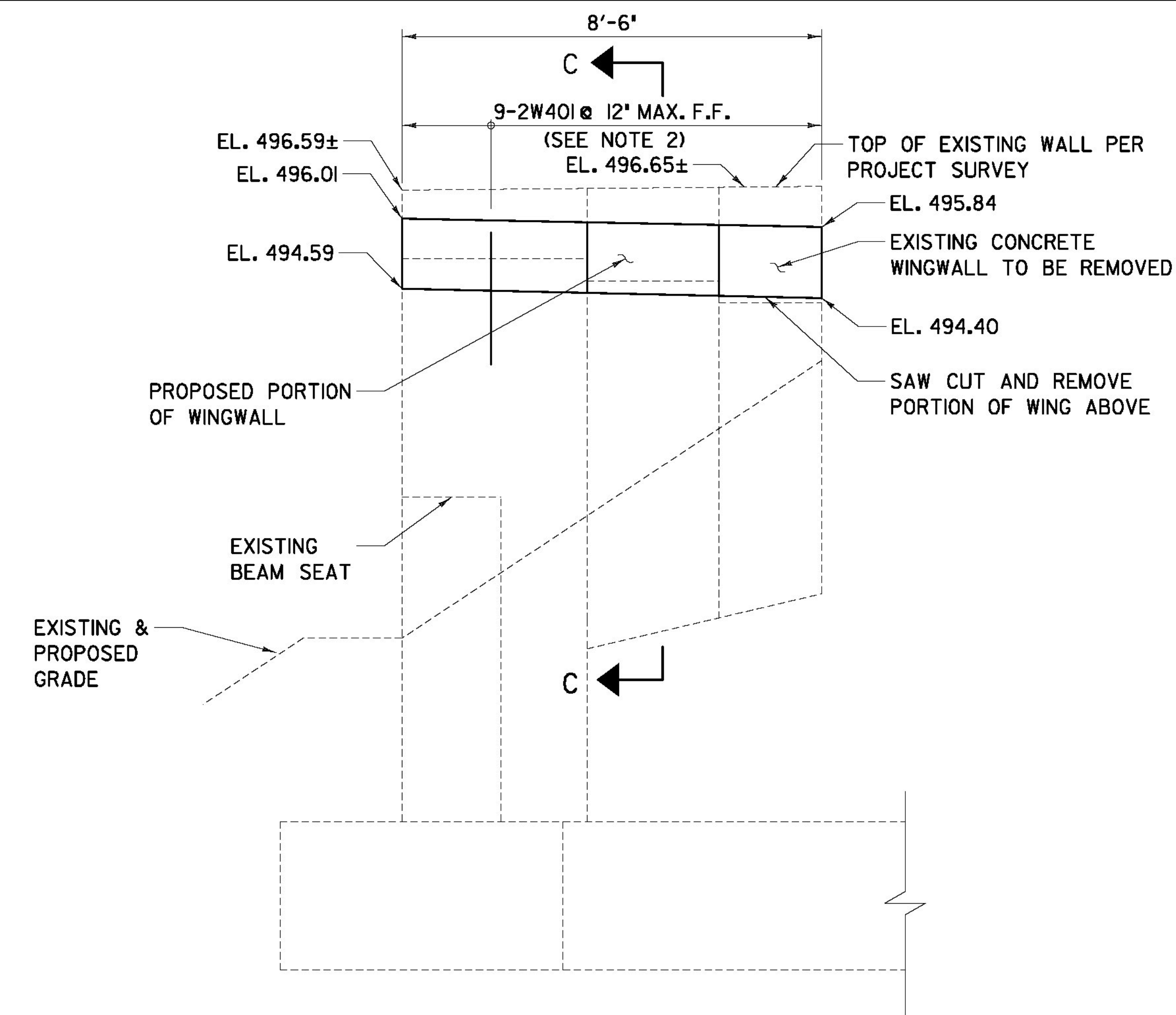
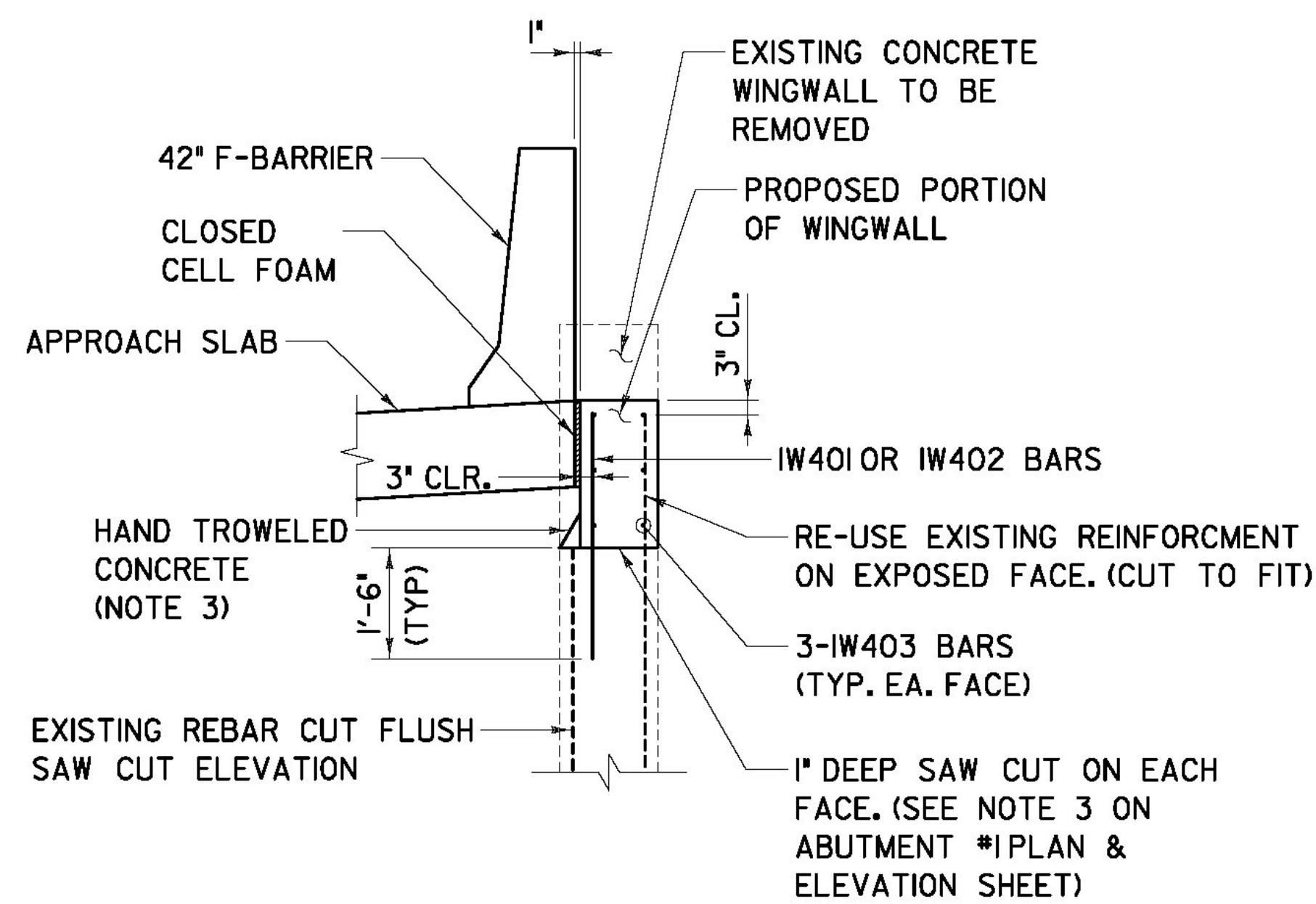


WINGWALL #1 ELEVATION
SCALE: 1/2" = 1' - 0"



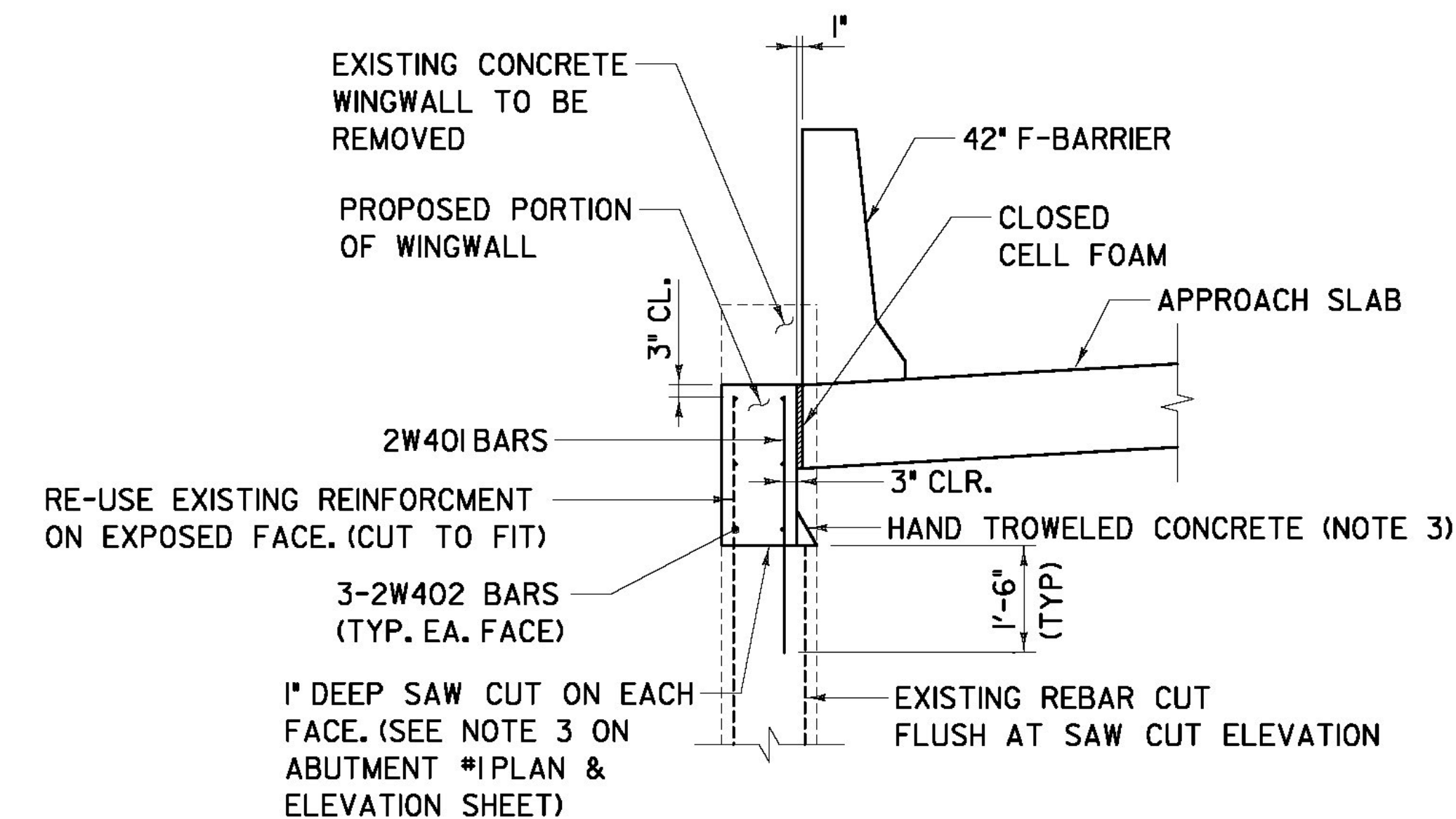
WINGWALL #2 ELEVATION
SCALE: 1/2" = 1' - 0"



SECTION B-B

NOTES:

- EXISTING WINGWALLS SHALL BE REMOVED TO THE LIMITS SHOWN. PROPOSED PORTION OF WINGWALLS SHALL BE DOWELED AND GROUTED ON TOP OF EXISTING WINGWALLS TO MATCH ADJACENT EDGE OF PROPOSED APPROACH SLAB. EXISTING CONCRETE SURFACE AND REINFORCEMENT SHALL BE PREPARED IN ACCORDANCE WITH STANDARD SPECIFICATION 580, 'STRUCTURAL CONCRETE REPAIR'.
- PROPOSED FAR FACE VERTICAL WINGWALL DOWELS SHALL BE STAGGERED WITH EXISTING DOWELS ALONG THE WALL. MINIMUM DISTANCE BETWEEN DRILLED HOLES AND EXISTING REINFORCEMENT DOWELS SHALL BE 6".
- EXISTING BAR ENDS NOT OTHERWISE ENCASED BY PROPOSED WALL SHALL BE PAINTED WITH EPOXY PAINT AND COVERED WITH CONCRETE AFTER PROPOSED PORTION OF WINGWALL IS CAST. HAND TROWELED CONCRETE SHALL MEET THE REQUIREMENTS OF STANDARD SPECIFICATION 780.02, 'OVERHEAD AND VERTICAL CONCRETE REPAIR MATERIAL' AND SHALL PROVIDE 2" OF COVER ABOVE THE EXISTING, FLUSH CUT REBAR.



SECTION C-C
SCALE: 1" = 1' - 0"

RFC PLANS - WORK PACKAGE #7
BRIDGE 5N
SEPTEMBER 21, 2011

PROJECT NAME: BRATTLEBORO
PROJECT NUMBER: IM 091-(K50)

**AS BUILT
RECORD PLANS**

BECK & BELLUCCI, INC.

TYLIN INTERNATIONAL

FILE NAME: ZB-100-BR5-302.DGN
PROJECT LEADER: Brian W. Clogston P.E.
DESIGNED BY: Richard Bollinger P.E.
ABUTMENT #1 WINGWALL DETAILS

PLOT DATE: 9/21/2011
DRAWN BY: S. A. Morgan
CHECKED BY: J. E. Krajewski
SHEET ZB-100-BR5-302