

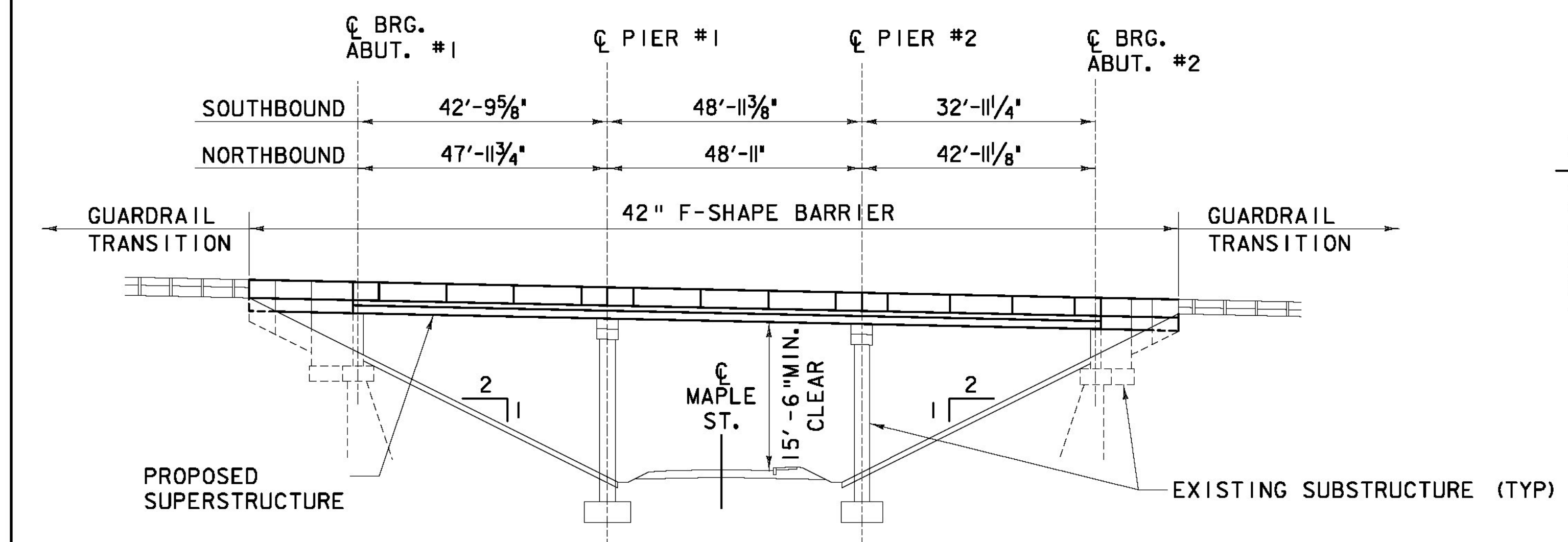
BRIDGE 5N&S - PLAN
SCALE: 1"=20'

☉ 1-91 SB - BR5S
P. I. STA. = 542+61.61
DELTA = 9°24'41" LT
TANGENT = 232.61'
LENGTH = 464.17'
RADIUS = 2,825.79'

BR5S - PROFILE GRADE
PVC STA. XXX+XX.XX, EL. XXX.XX
PVI STA. XXX+XX.XX, EL. XXX.XX
PVT STA. XXX+XX.XX, EL. XXX.XX
G1 X.XX%
G2 X.XX%
LENGTH XXX.XX FT.

☉ 1-91 NB - BR5N
P. I. STA. = 342+67.86
DELTA = 9°24'41" LT
TANGENT = 238.86'
LENGTH = 476.65'
RADIUS = 2,901.79'

BR5N - PROFILE GRADE
PVC STA. 340+20.12, EL. 497.90
PVI STA. 341+25.63, EL. 495.89
PVT STA. 342+31.15, EL. 493.17
G1 -1.90%
G2 -2.58%
LENGTH 211.03 FT.



BRIDGE 5N&S - ELEVATION
SCALE: 1"=20'

AS BUILT
RECORD PLANS

REVISION #	DESCRIPTION	DATE
REV. 1	ADDED BR5S	1/23/12

PROJECT NAME: BRATTLEBORO
PROJECT NUMBER: IM 091-(150)

BECK & BELLUCCI, INC.	TYLIN INTERNATIONAL	FILE NAME: ZB-100-BR5-101.dgn	PLOT DATE: 5/15/2013
		PROJECT LEADER: Phillip E. Kendall P.E.	DRAWN BY: S. A. Morgan
GENERAL PLAN AND ELEVATION		DESIGNED BY: Josh Olund, P.E.	CHECKED BY: D. Myers
		SHEET ZB-100-BR5-101	