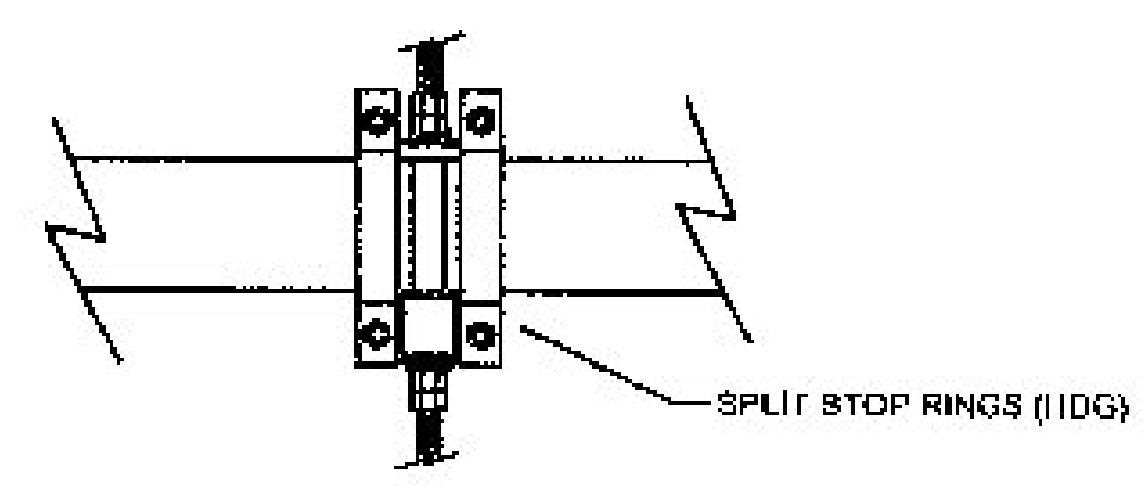


No Exception Taken  
 Make Correction as Noted  
 Submit Specified Item  
 Revise and Resubmit as Noted  
 Rejected

**T-Y-LININTERNATIONAL**

Checking is for general compliance with the design concept of the project and general compliance with the information given in the contract documents only. Any action shown is not an approval and is subject to the requirements of the plans and specifications. Any action shown on a specific item shall not indicate the checking of an assembly of which the item is a component. Contractor is solely responsible for: dimensions which shall be confirmed and correlated at the job site, fabrication processes, techniques of construction, safety precautions, and coordination of its work with that of all other trades and the satisfactory performance of its work.

Reviewed By: John [Signature] Date: April 19, 2012



	P.O. #	DATE: 02/22/2012
	ORDER #	PART #
		SCALE: N.T.S.