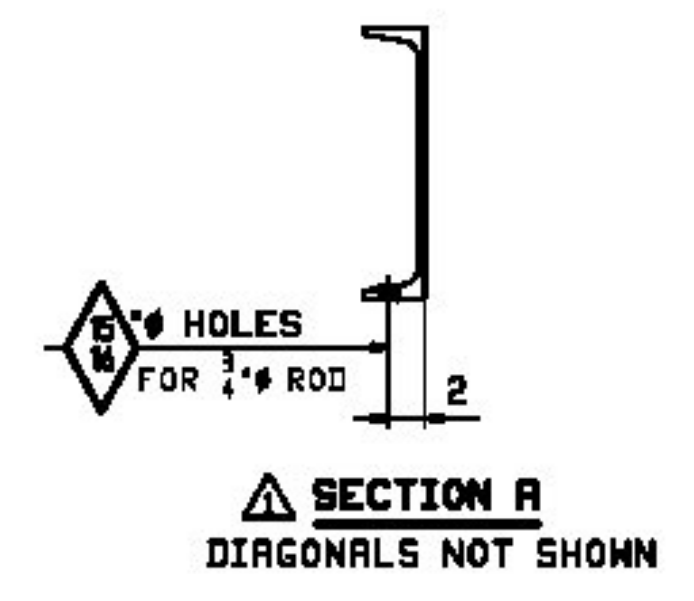
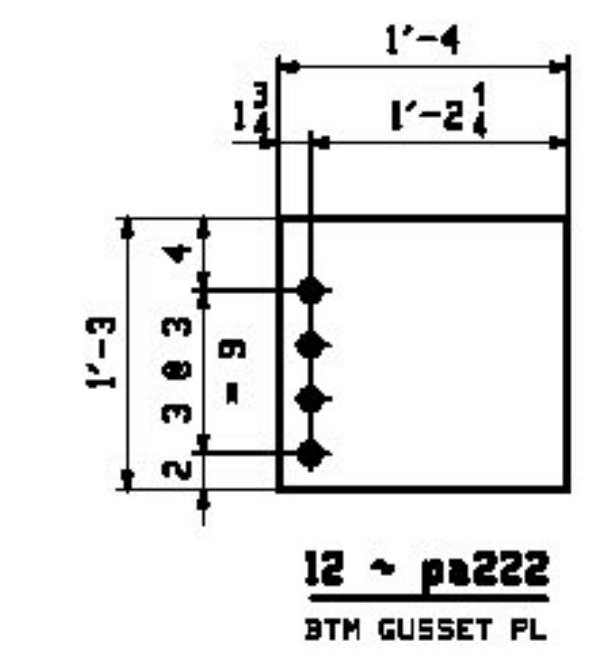


2 ~ END CROSSFRAMES - 222CF1  
 1 ~ END CROSSFRAME - 222CF1U  
 LOOKING TOWARD BACKWALL / ABUT 1



**T-Y-L INTERNATIONAL**

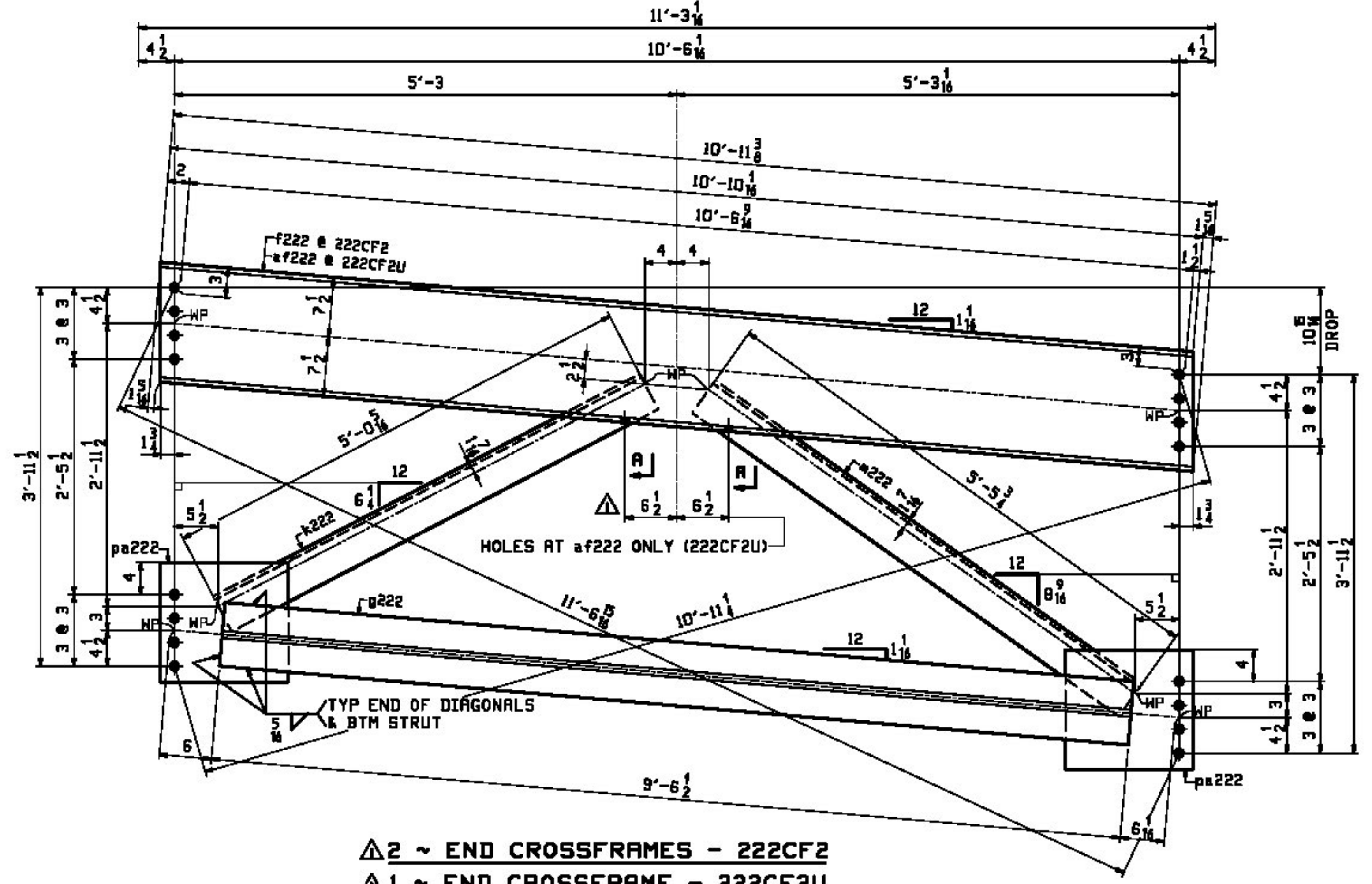
No Exception Taken  
 Make Correction as Noted  
 Submit Specified Item  
 Resubmit and Resubmit as Noted  
 Rejected

Checking is for general compliance with the design concept of the project and general compliance with the information given in the contract documents only. Any action shown is not an approval and is subject to the requirements of the plans and specifications. Any action shown on a specific item shall not indicate the checking of an assembly of which the item is a component. Contractor is solely responsible for dimensions which shall be confirmed and correlated at the job site, fabrication processes, techniques of construction, safety precautions, and coordination of its work with that of all other trades and the satisfactory performance of its work.

Reviewed By: *[Signature]* Date: May 29, 2012

BILL OF MATERIAL										JOB NO.	DRAWING NO.	REV.
										479	222	
ROW INFO	QTY	MARK	MATERIAL	LENGTH	REMARKS	WT	PROCUREMENT					
LINE				FT			NOTES					
222CF1U	1		ABUT CROSSFRAMES		(PRINTED)	947						
208 J	1	a222	C 15x33.9	10 11 3/8	M270-S0W	370						
209 K	1	b222	WT 5x22.5	9 6 3/8	M270-S0W	214						
208 L	1	c222	L 5x5x 1/2	6 3 3/8	M270-S0W	101						
208 L	1	d222	L 5x5x 1/2	5 6 7/8	M270-S0W	93						
208 N	2	pa222	PL 1/2x15	1 4	M270-S0W	68						
222CF2U	1		ABUT CROSSFRAMES		(PRINTED)	960						
208 J	1	a222	C 15x33.9	10 11 3/8	M270-S0W	371						
209 K	1	b222	WT 5x22.5	9 6 3/8	M270-S0W	215						
208 M	1	k222	L 5x5x 1/2	5 0 5/8	M270-S0W	81						
208 M	1	m222	L 5x5x 1/2	5 5 1/2	M270-S0W	89						
208 N	6	pa222	PL 1/2x15	1 4	M270-S0W	204						

BILL OF MATERIAL										JOB NO.	DRAWING NO.	REV.
										479	222	
ROW INFO	QTY	MARK	MATERIAL	LENGTH	REMARKS	WT	PROCUREMENT					
LINE				FT			NOTES					
222CF1	2		ABUT CROSSFRAMES		(PRINTED)	1694						
208 J	2	a222	C 15x33.9	10 11 3/8	M270-S0W	741						
209 K	2	b222	WT 5x22.5	9 6 3/8	M270-S0W	429						
208 L	2	c222	L 5x5x 1/2	6 3 3/8	M270-S0W	203						
208 L	2	d222	L 5x5x 1/2	5 6 7/8	M270-S0W	186						
208 N	4	pa222	PL 1/2x15	1 4	M270-S0W	136						
222CF2	2		ABUT CROSSFRAMES		(PRINTED)	1647						
208 J	2	f222	C 15x33.9	10 11 3/8	M270-S0W	742						
209 K	2	g222	WT 5x22.5	9 6 3/8	M270-S0W	428						
208 M	2	k222	L 5x5x 1/2	5 0 5/8	M270-S0W	162						
208 M	2	m222	L 5x5x 1/2	5 5 1/2	M270-S0W	177						
208 N	4	pa222	PL 1/2x15	1 4	M270-S0W	136						



2 ~ END CROSSFRAMES - 222CF2  
 1 ~ END CROSSFRAME - 222CF2U  
 LOOKING TOWARD BACKWALL / ABUT 2

5/10/2012	ADD HANGER HOLES / REVISE MARKS (EXTRA-TEC-3054001)	JTB	TJB			
REV.	DATE	REMARKS	DMN	CHK	APVL	SHOP
MATERIAL:		SURFACE PREP. & PAINT:		HOLES:		SHOP BOLTS:
M270-S0W (UN)		SEE DWG GNI		15/16"		NONE
DESCRIPTION: ABUTMENT CROSSFRAMES						
CASCO BAY STEEL STRUCTURES, INC.						
1 WALLACE AVE.			PHONE (207) 780-6722			
SOUTH PORTLAND, ME 04106			FAX (207) 780-6726			
STRUCTURE: I-91 BRIDGE 6S OVER WHITESTONE BROOK & WILLIAMS STREET COUNTY OF MINDHAM				DRAWN: JTB		DATE: 07/11
				CHKD: TJB		DATE: 07/23
LOCATION: Town of Brattleboro, VT.				JOB NO. 479		DWG NO. 222
PROJ NO. IM 091-1(SD)						REV. A
CUSTOMER: BECK & BELLUCCI						

NOTE:  
 1. FOR GENERAL NOTES SEE DRAWING GNI.  
 2. ALL CROSSFRAMES THIS DRAWING SHALL BE PRINTED.