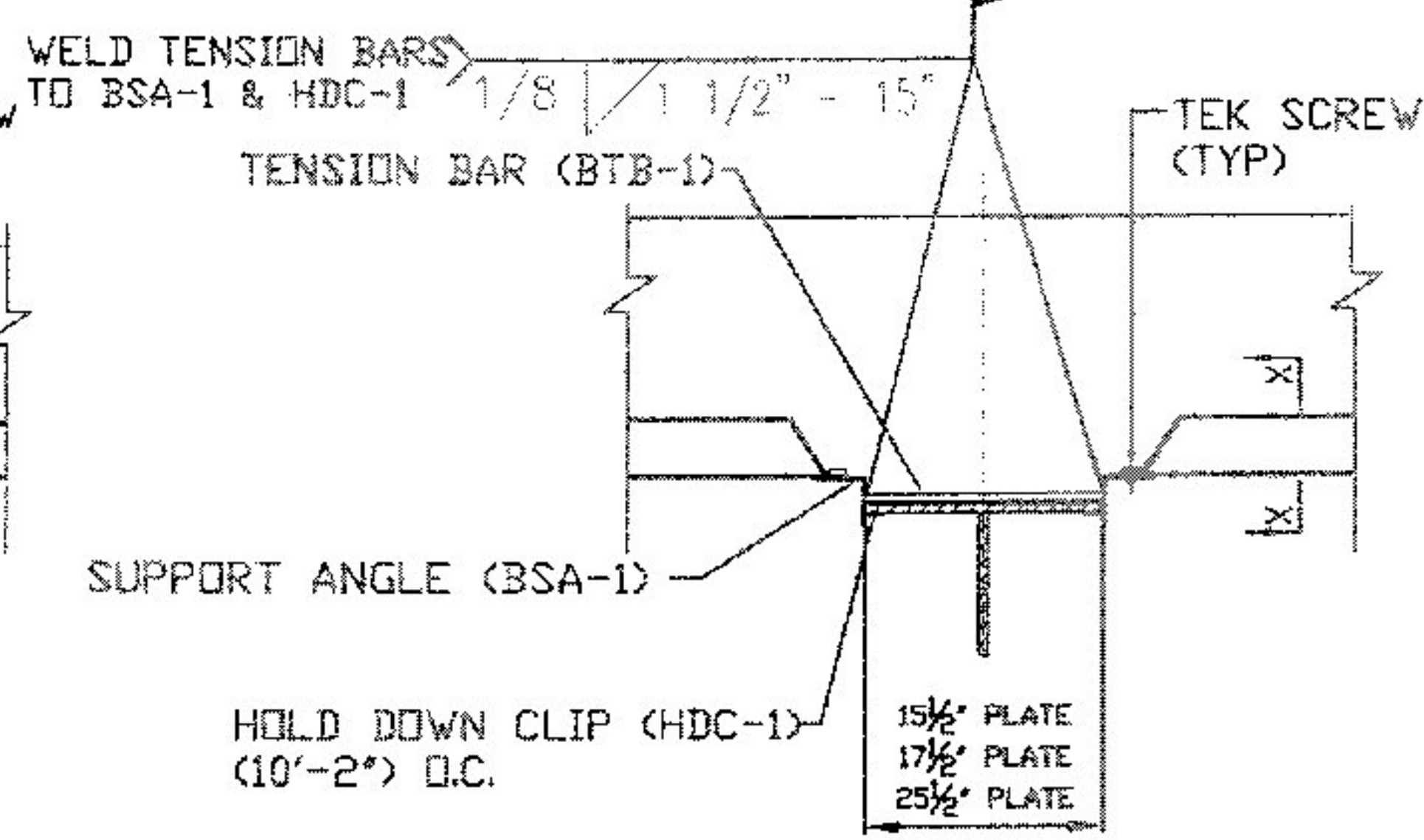
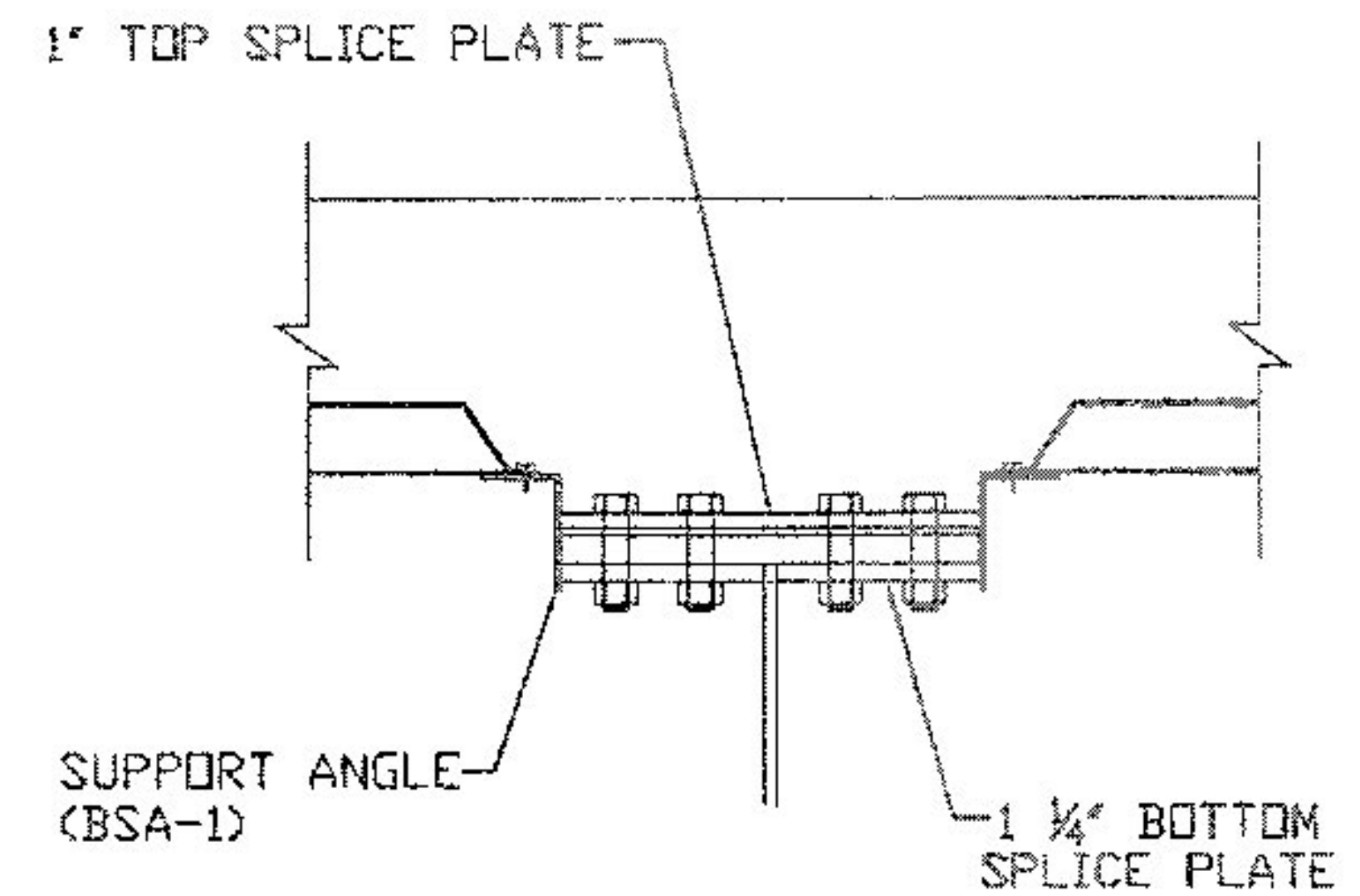


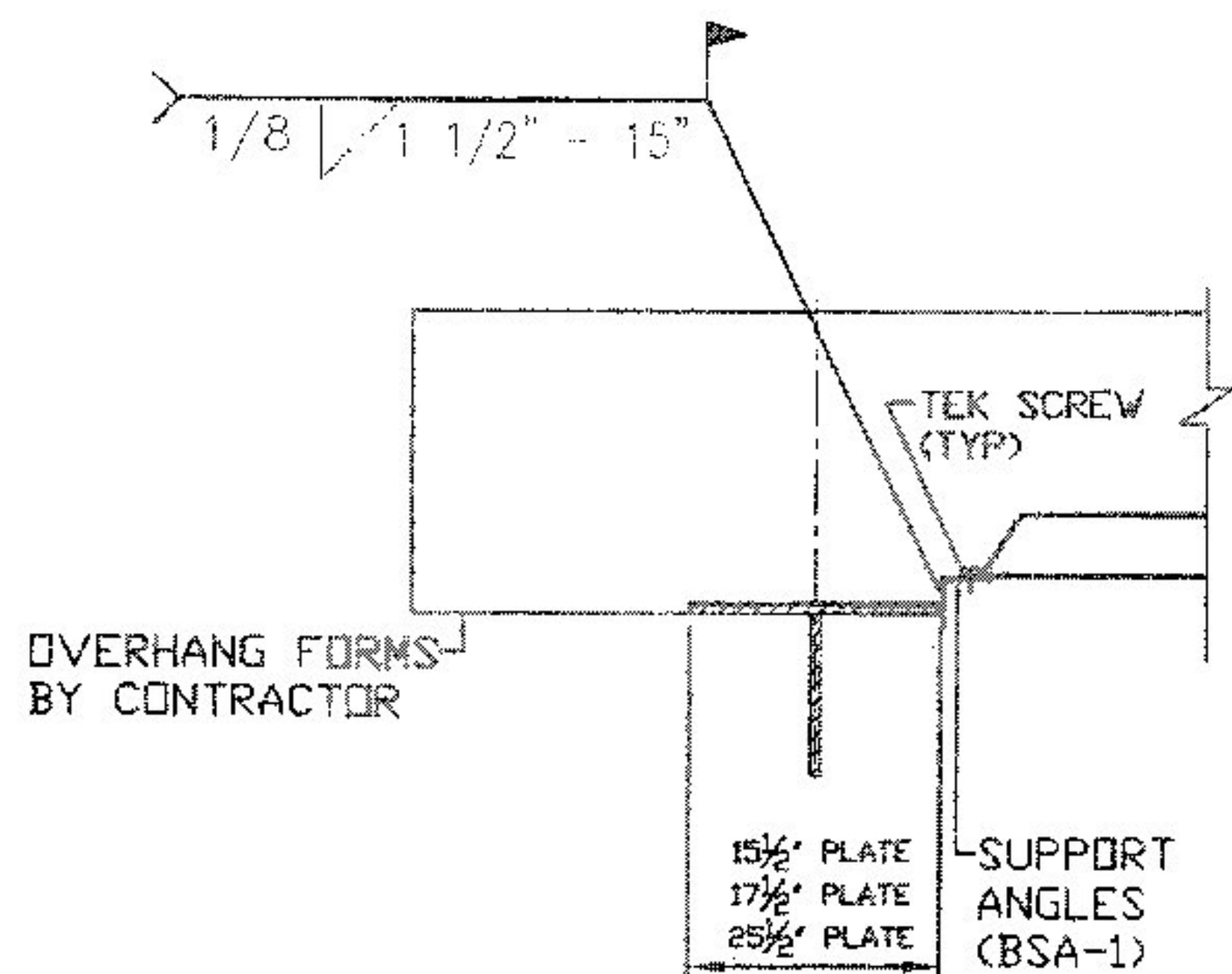
DETAIL THROUGH EXTERIOR GIRDER @ TENSION AREA



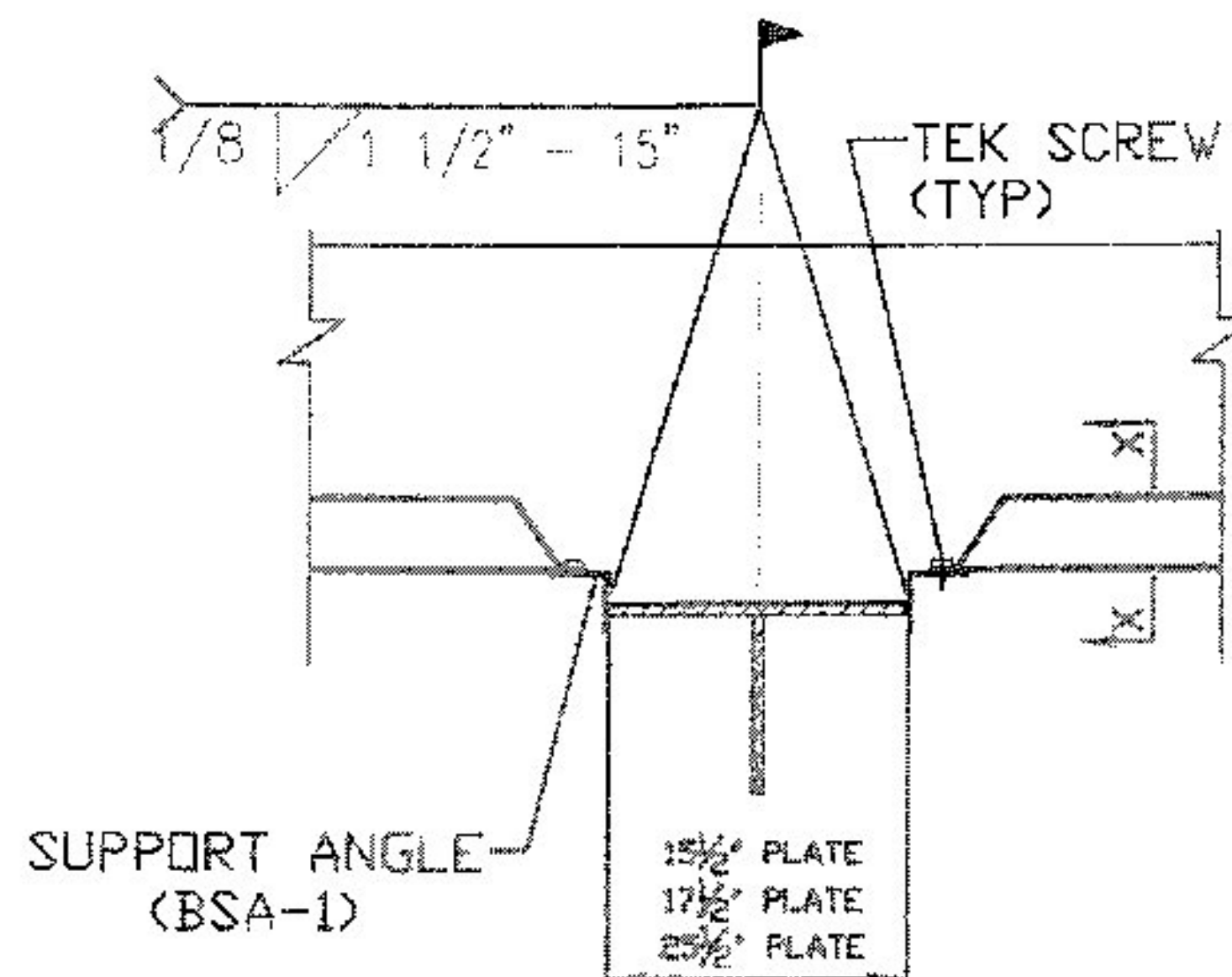
DETAIL THROUGH INTERIOR GIRDER @ TENSION AREA



DETAIL @ FIELD SPLICE (COMPRESSION AREA)

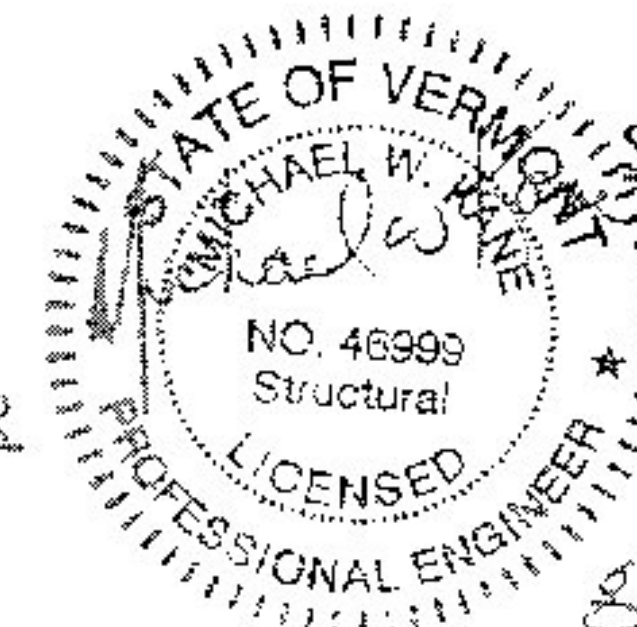
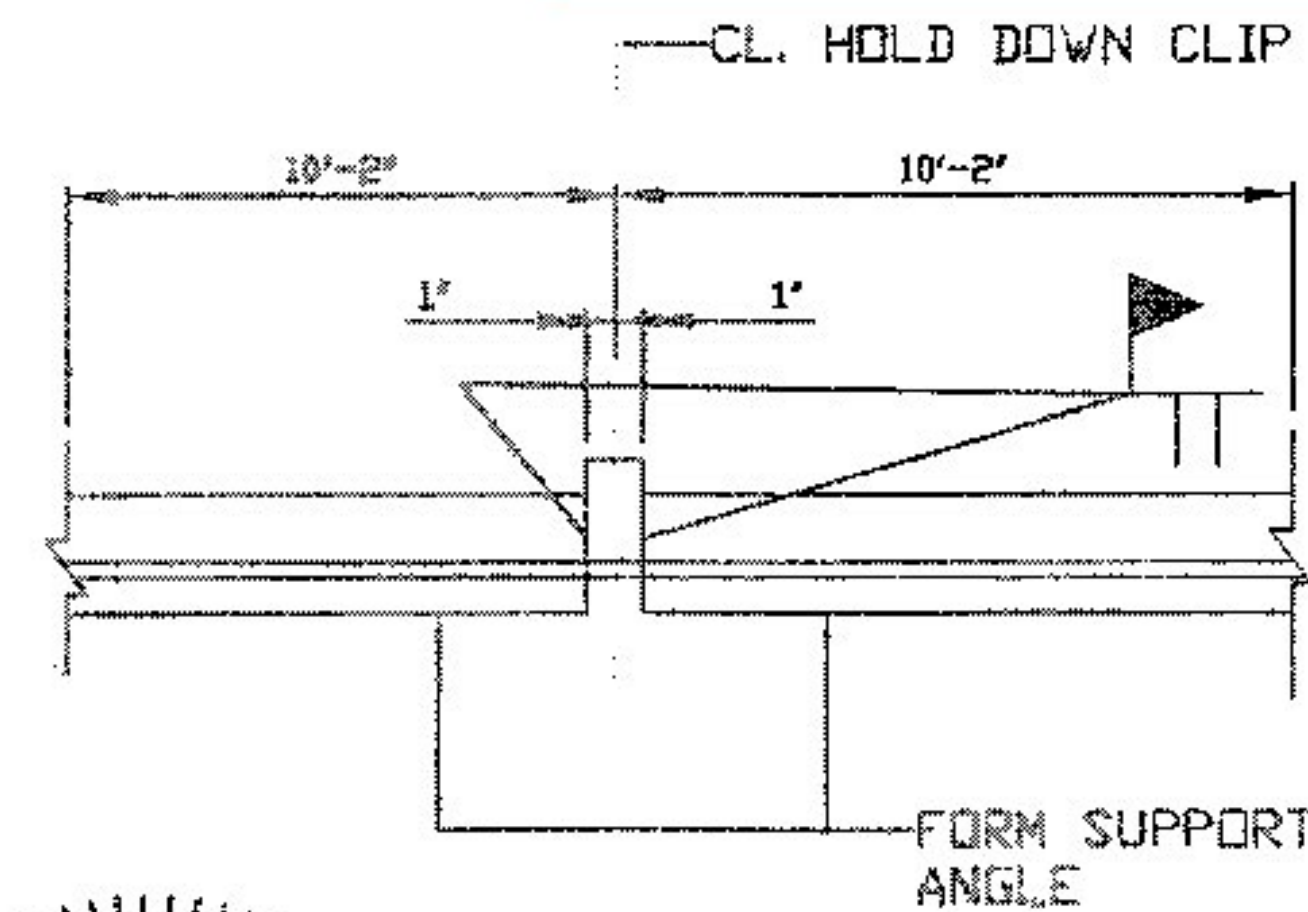


DETAIL THROUGH EXTERIOR GIRDER



DETAIL THROUGH INTERIOR GIRDER

FILL IN REVISION BLOCK FOR LAST ROUND OF COMMENTS



SECTION X-X

REVISION LOG		
NO.	DATE	DESCRIPTION

CUSTOMER:
EDM CONSTRUCTION CO

PROJECT:
VERMONT DEPT. OF TRANSPORTATION
BRATTLEBORO, VT
PROJECT NO. IM 091-1K50
BRIDGE 6N

T-Y-LIN INTERNATIONAL

No Exception Taken
 X Make Correction as Noted
 Submit Specified Item
 Revise and Resubmit as Noted
 Rejected

Checking is for general compliance with the design concept of the project and general compliance with the information given in the contract documents only. Any action shown is not an approval and is subject to the requirements of the plans and specifications. Any action shown on a specific item shall not indicate the checking of an assembly of which the item is a component. Contractor is solely responsible for dimensions which shall be confirmed and corrected at the job site, construction processes, techniques of construction, safety precautions and coordination of its work with that of all other trades and the satisfactory performance of its work.

Reviewed By: *[Signature]* Date: **08/31/11**

EACH SHEET MUST BE FASTENED TO SUPPORTS IMMEDIATELY UPON PLACEMENT TO AVOID HAZARD THAT COULD RESULT FROM HORIZONTAL MOVEMENT OR SUDDEN UPLIFT

CLEARSPAN CONSTRUCTION PRODUCTS
 P.O. BOX 12708 PITTSBURGH, PA. 15241
 PHONE: (412)-445-2765
 FAX: (412)-341-2846

DRAWING NO. **A3 0**

DRAWN	DATE	CHECKED	DATE	APPROVAL DATE
CLC	8/11/2011	CAB	8/30/11	100/XXX/XXXX