

REINFORCING CHART

ITEM	QTY.	TOTAL	SIZE	TYPE	LENGTH
R1	72	72	4	BENT	6'-10"
R2	16	16	4	BENT	8'-3 3/4"
R3	82	82	4	BENT	6'-9 1/2"
R5	16	16	4	STRT.	11'-3 1/2"
---	515 sf.	515 sf.			4x4 D4xD4 WELDED WIRE FABRIC

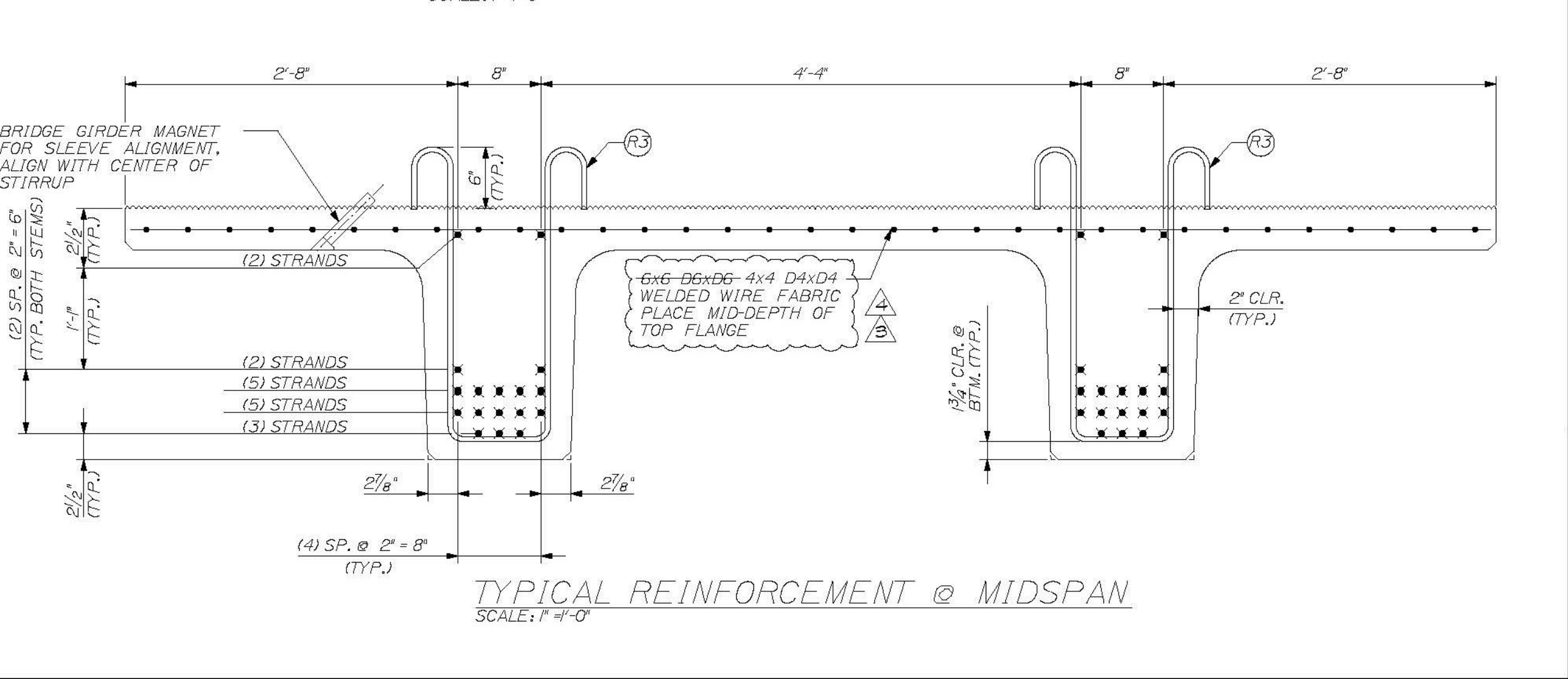
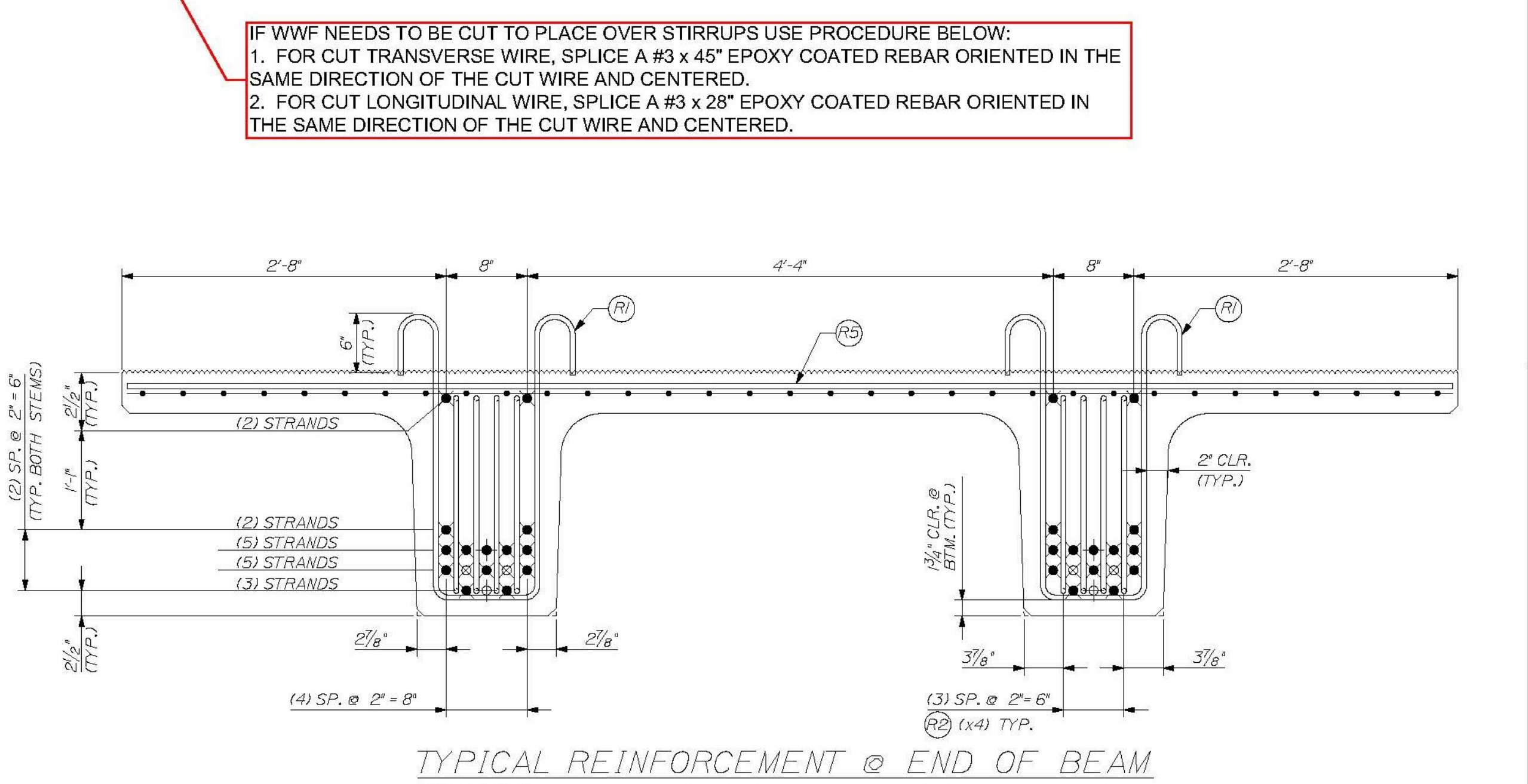
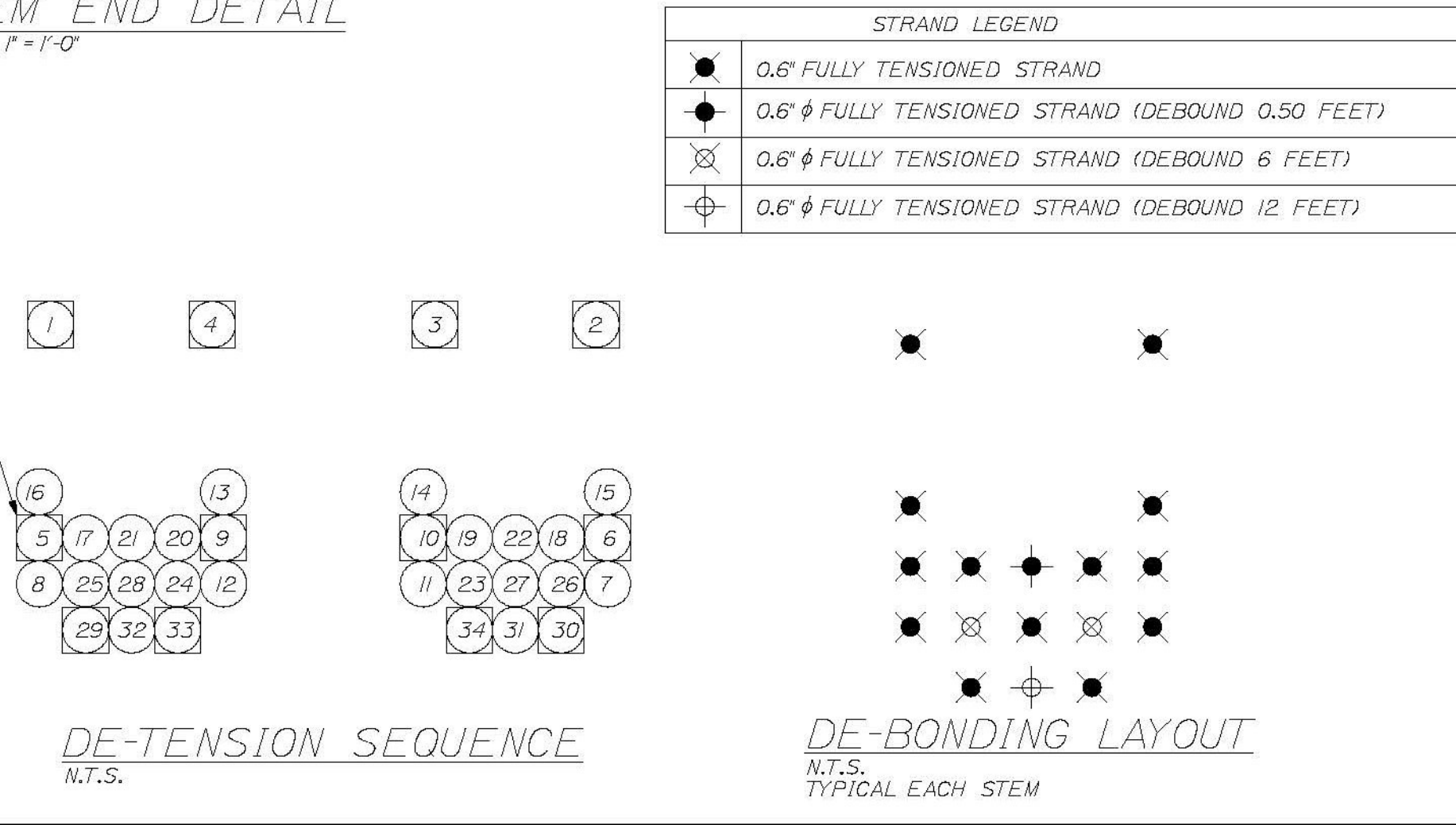
BAR SIZE	WT./BEAM	TOTAL WT.
4	908	908
WWF	440	440

*EXTEND STRANDS 1,4,5,9,29 & 33 IN THE "LEFT" STEM AND STRANDS 2,3,6,10,30 & 34 IN THE "RIGHT" STEM BY A LENGTH OF 12" BEYOND THE END OF THE BEAM. BEND PER DETAILS NOTED ABOVE.

ALL OTHER STRANDS SHALL EXTEND 4" BEYOND THE END OF THE BEAM.

NOTES:
 BENT BAR LENGTHS SHOWN REPRESENT BAR LENGTHS BEFORE BENDING.
 TENSION LOAD = 43.94 KIPS/ STRAND
 STRAND: #6 @ 270 KSI LOW RELAXATION, ASTM M203
 REBAR: AASHTO M31, GRADE 60, EPOXY COATED
 ALL TOLERANCES TO PCI STANDARDS

(1) "BI-SB" NEXT BEAM BEAM REQUIRED
 SEE SHEET #1 FOR GEOMETRIC DETAILS
 SEE SHEET #2 FOR BENT REBAR DETAILS



IF WWF NEEDS TO BE CUT TO PLACE OVER STIRRUPS USE PROCEDURE BELOW:
 1. FOR CUT TRANSVERSE WIRE, SPLICE A #3 x 45" EPOXY COATED REBAR ORIENTED IN THE SAME DIRECTION OF THE CUT WIRE AND CENTERED.
 2. FOR CUT LONGITUDINAL WIRE, SPLICE A #3 x 28" EPOXY COATED REBAR ORIENTED IN THE SAME DIRECTION OF THE CUT WIRE AND CENTERED.

THE PROFESSIONAL ENGINEER'S STAMP WAS PREPARED UNDER THE DIRECT SUPERVISION OF A REGISTERED PROFESSIONAL ENGINEER AND COMPLY WITH THE DESIGN AND DETAILS SHOWN ON THE CONTRACT DRAWING UNLESS REQUESTED OTHERWISE.

CONTRACTOR: BECK & BELLUCCI, INC.
 PROJECT: BRATTLEBORO, VERMONT
 IM 019-1(60)

STATE OF VERMONT
 BRATTLEBORO, VT.
 NO. 87
 LICENSED PROFESSIONAL ENGINEER

W.E. DALEY, INC.
 PRECAST CONCRETE PRODUCTS
 100 W. MAIN ST., BRATTLEBORO, VT. 05701
 TEL: 802-253-4444 FAX: 802-253-4447
 WWW.WEDALEY.COM

I-91 BRATTLEBORO, VERMONT
 OVER MAPLE ST.

BEAM TYPE "BI-SB"
 REINFORCEMENT DETAILS

SHEET NUMBER
 12