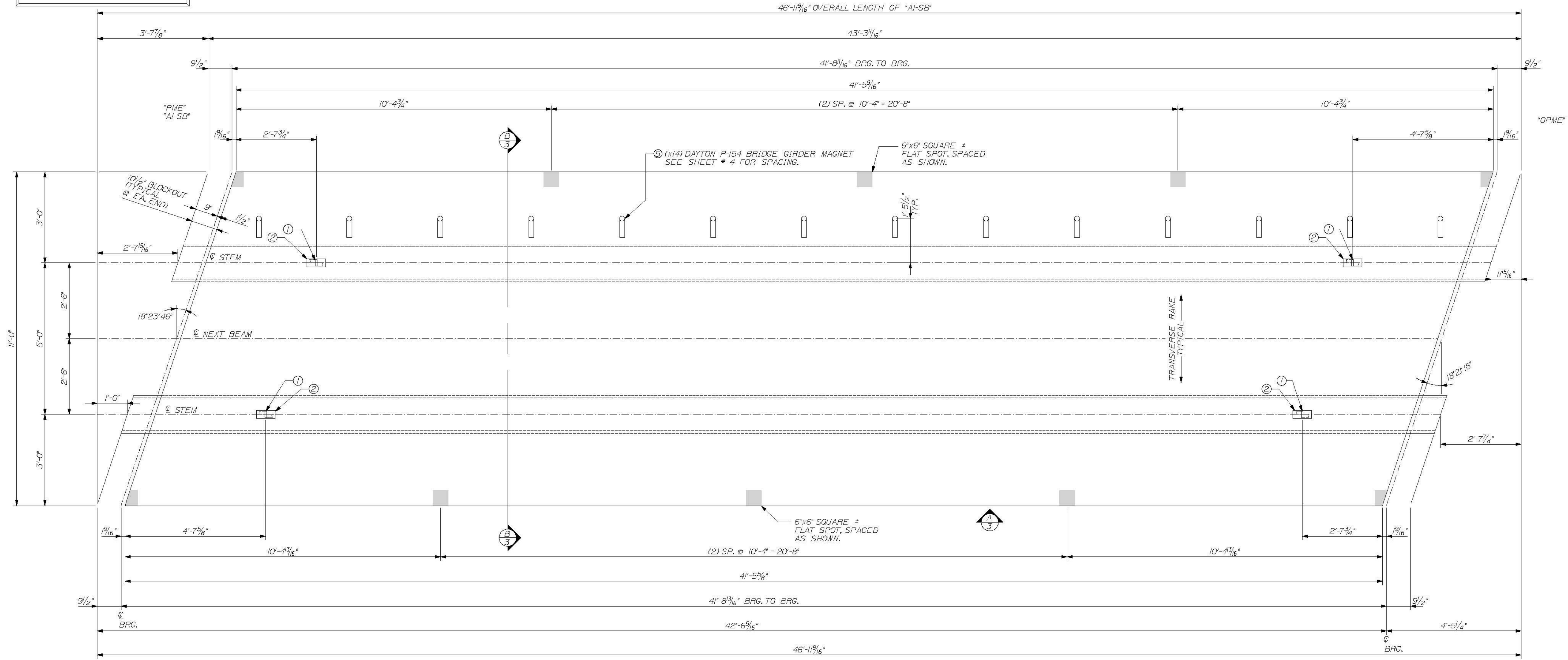
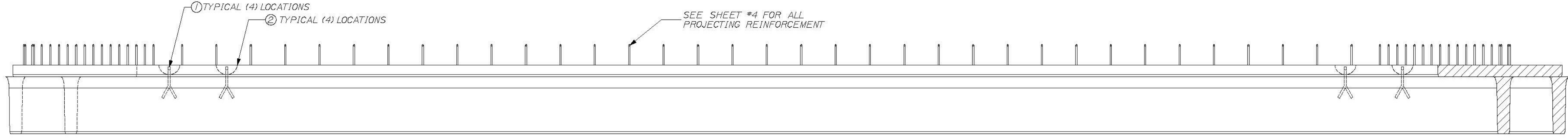


PME = PIECE MARK END
 OPME = OPPOSITE PIECE MARK END



PLAN VIEW ~ BEAM "A1-SB"
 SCALE: 1/2" = 1'-0"



VIEW A ~ TYPICAL BOTH SIDES
 SCALE: 1/2" = 1'-0"

T-Y-LIN INTERNATIONAL

No Description taken
 Make Correction as Noted
 SUCOM: Specified Item
 Revised and Resubmit as Noted
 Requested

Checking is for general compliance with the design concept of the project and general compliance with the information given in the contract documents only. Any action shown is not an approval and is subject to the requirements of the plans and specifications. Any action shown on a specific item shall not preclude the checking of an assembly of which the item is a component. Contractor is solely responsible for dimensions which shall be confirmed and controlled at the job site, fabrication processes, techniques of construction, safety precautions, and coordination of its work with that of all other trades and the satisfactory performance of its work.

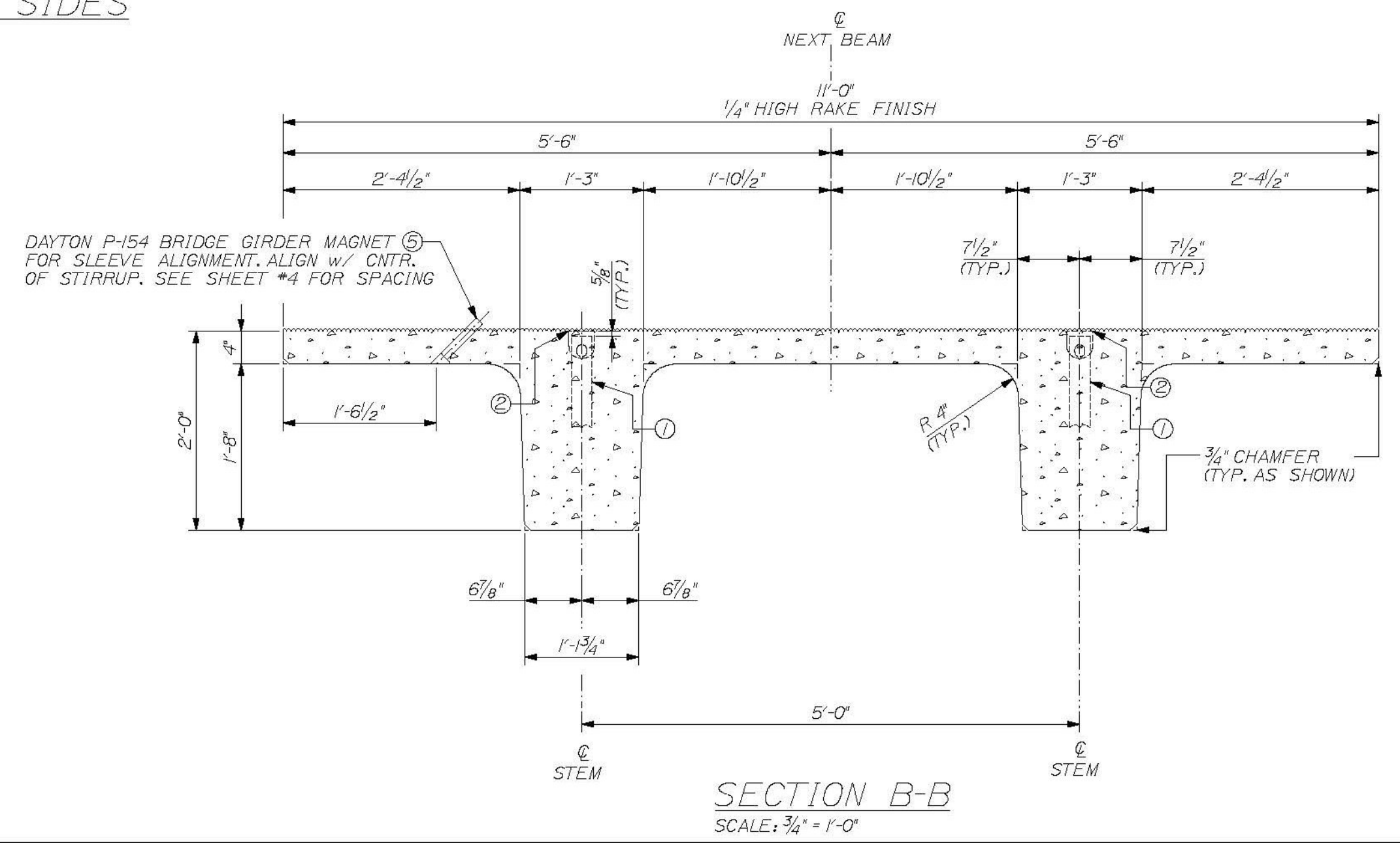
Reviewed by: *[Signature]* Date: June 11, 2012

DESIGN NOTES:

CONCRETE f'_{ci} @ TRANSFER = 6200 PSI
 f'_c @ FINAL = 8000 PSI
 CAMBER @ DESTRESS = 1/16 in.
 CAMBER @ ERECTION = 1/16 in.
 FINISH - TOPS OF BEAMS TO RECEIVE RAKE FINISH W/ 1/4" AMPLITUDE
 PATCH RECESS VOIDS FLUSH WITH SURFACE WITH CEMENT MORTAR
 ALL TOLERANCES TO PCI STANDARDS

(1) "A1-SB" DECK BEAMS REQUIRED
 SEE SHEET #4 FOR REINFORCING

DUE TO INHERENT VARIABLES, CAMBERS ARE PROVIDED ONLY AS A MEANS OF QUANTIFYING THE CONSISTENCY OF PRODUCTION AND QUALITY CONTROL AND SHOULD NEVER BE CONSIDERED ANY BETTER THAN ESTIMATES.



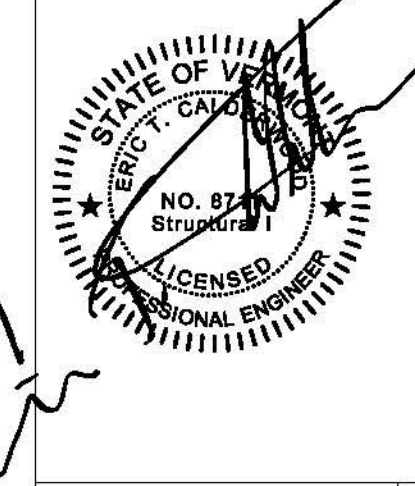
SECTION B-B
 SCALE: 3/4" = 1'-0"

| PRODUCT WEIGHT | |
|----------------|-----------|
| PRODUCT | WEIGHT |
| "A1-SB" | 24.4 TONS |

| BILL OF MATERIALS | | | | |
|-------------------|---|-----|-------|---|
| REMARKS | # | QTY | TOTAL | DESCRIPTION |
| SEE SHEET #2 | 1 | 4 | 4 | RL-23 SPREAD ANCHOR, 8 TON, (11" LONG), PART# MB79119 |
| | 2 | 4 | 4 | RL-45 REUSABLE RECESS MEMBER, 8TON, PART# MB79121 |
| | 3 | 1 | 1 | 12.0 C.Y. CONCRETE MIX |
| | 5 | 14 | 14 | DAYTON P-154 BRIDGE GIRDER MAGNET |

THE PROFESSIONAL ENGINEER'S STAMP WAS PREPARED UNDER THE DIRECT SUPERVISION OF A REGISTERED PROFESSIONAL ENGINEER AND COMPLY WITH THE DESIGN AND DETAILS SHOWN ON THE CONTRACT DRAWING UNLESS REQUESTED OTHERWISE.

CONTRACTOR: BECK & BELLUCCI, INC.
 PROJECT: BRATTLEBORO, VERMONT
 IM 019-1(60)



W.E. DALEY, INC.
 PRECAST CONCRETE PRODUCTS
 1000 MAPLE ST. BRATTLEBORO, VT 05701
 TEL: 802-253-4444 FAX: 802-253-4442
 DANIEL MARCH 2011 PROFESSIONAL ENGINEER'S INITIAL SUBMISSION
 DETAILER: ETC

I-91 BRATTLEBORO, VERMONT
 OVER MAPLE ST.
 BEAM TYPE "A1-SB"
 DIMENSIONAL DETAILS

SHEET NUMBER
 3