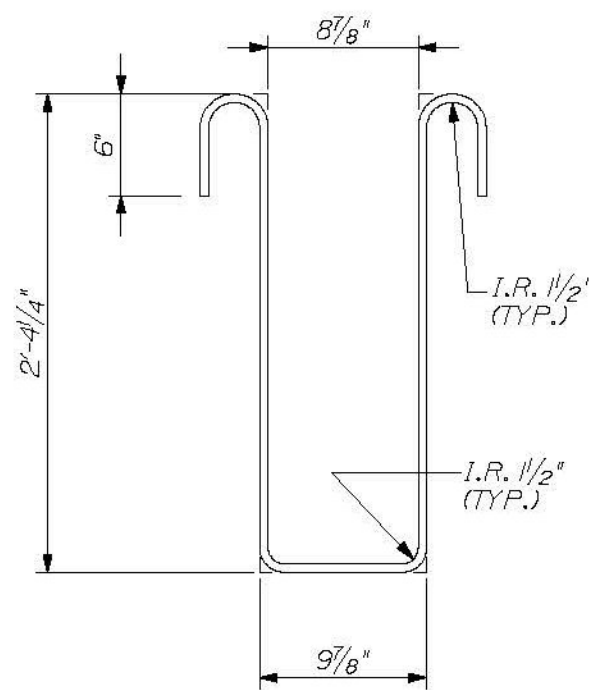
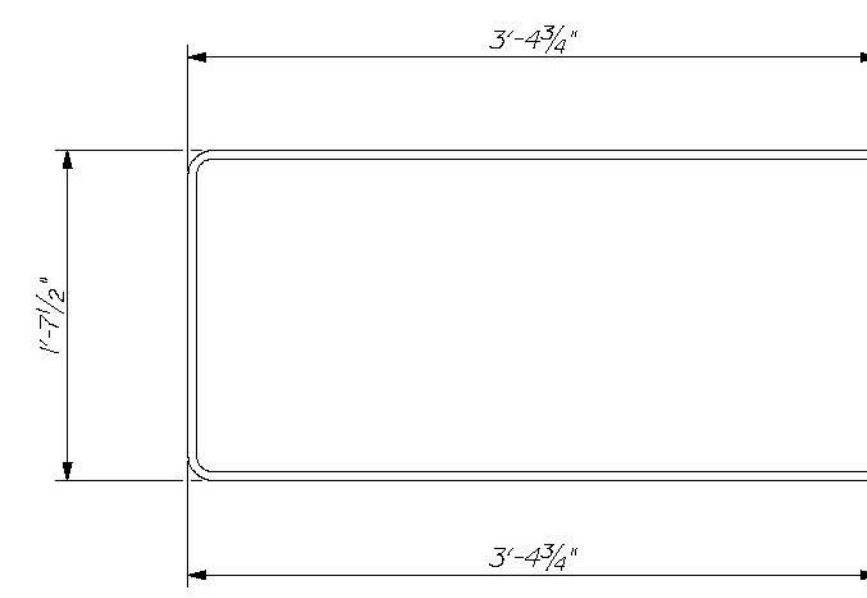
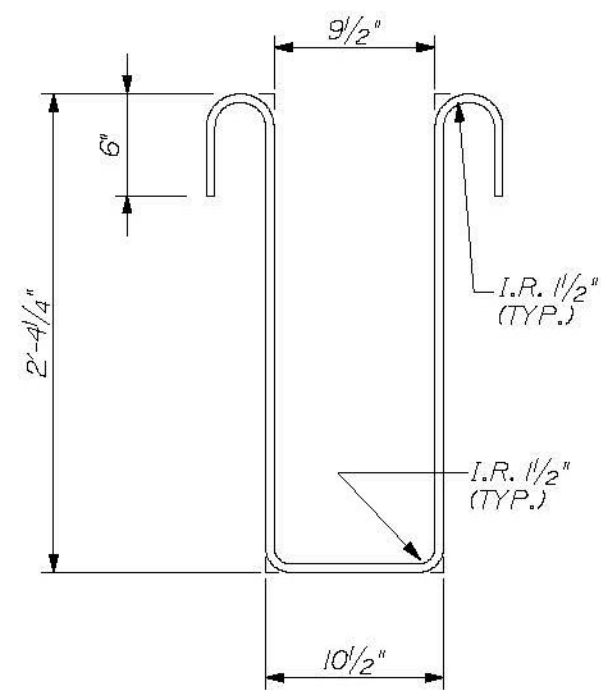


**T-Y-L INTERNATIONAL**

No Exception Taken  
 Make Correction as Noted  
 Submit Specified Item  
 Revise and Resubmit as Noted  
 Rejected

Checking is for general compliance with the design concept of the project and general compliance with the information given in the contract documents only. Any action shown is not an approval and is subject to the requirements of the plans and specifications. Any action shown on a specific item shall not indicate the checking of an assembly of which the item is a component. Contractor is solely responsible for dimensions which shall be confirmed and corrected at the job site, fabrication processes, techniques of construction, safety precautions, and coordination of its work with that of all other trades and the satisfactory performance of its work.

Reviewed by: *JAC* Date: June 11, 2012



**PRODUCT WEIGHTS**

PRODUCT	WEIGHT
A1-SB	24.4 T
A2-SB	24.4 T
A3-SB	24.4 T
A4-SB	24.4 T
B1-SB	27.5 T
B2-SB	27.5 T
B3-SB	27.5 T
B4-SB	27.5 T
C1-SB	18.9 T
C2-SB	18.9 T
C3-SB	18.9 T
C4-SB	18.9 T

**BAR CHART**

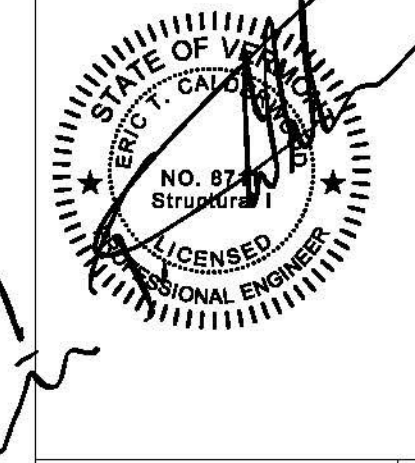
ITEM	TOTAL	SIZE	TYPE	LENGTH
R1	864	4	BENT	6'-10"
R2	192	4	BENT	8'-3 3/4"
R3	816	4	BENT	6'-9 1/2"
R4	64	4	STRT.	11'-3"
R5	64	4	STRT.	11'-3 1/2"
R6	64	4	STRT.	11'-4 1/2"

5300 4x4 D4xD4 WELDED SF WIRE FABRIC WELDED WIRE FABRIC SHALL BE AASHTO M 221M/M 221 (ASTM A497)

**BILL OF MATERIALS**

REMARKS	#	TOTAL	DESCRIPTION
	1	48	RL-23 SPREAD ANCHOR, 8 TON, (11" LONG), PART# MB79119
	2	48	RL-45 REUSABLE RECESS MEMBER, 8TON, PART# MB79121
	3	4	12 C.Y. CONCRETE MIX
	4	4	13.5 C.Y. CONCRETE MIX
	5	82	DAYTON P-154 BRIDGE GIRDER MAGNET
	6	4	9.5 C.Y. CONCRETE MIX

THE PROFESSIONAL ENGINEER'S STAMP AND SEAL FOR THESE DRAWINGS WERE PREPARED UNDER THE DIRECT SUPERVISION OF A REGISTERED PROFESSIONAL ENGINEER AND COMPLY WITH THE DESIGN AND DETAILS SHOWN ON THE CONTRACT DRAWING UNLESS REQUESTED OTHERWISE.



**W.E. DALEY, INC.**  
BRATTLEBORO, VERMONT

**PRECAST CONCRETE PRODUCTS**  
100 MAPLE ST., BRATTLEBORO, VT. 05701  
TEL: 802-244-1444 FAX: 802-244-1719  
DATE: MARCH 2011 PERIODICALLY UPDATE SUBMISSIONS  
DETAILS: ETC.

I-91 BRATTLEBORO, VERMONT  
OVER MAPLE ST.

MISCELLANEOUS DETAILS  
&  
BILL OF MATERIALS

SHEET NUMBER  
2

CONTRACTOR: BECK & BELLUCCI, INC.  
PROJECT: BRATTLEBORO, VERMONT  
IM 019-1(60)