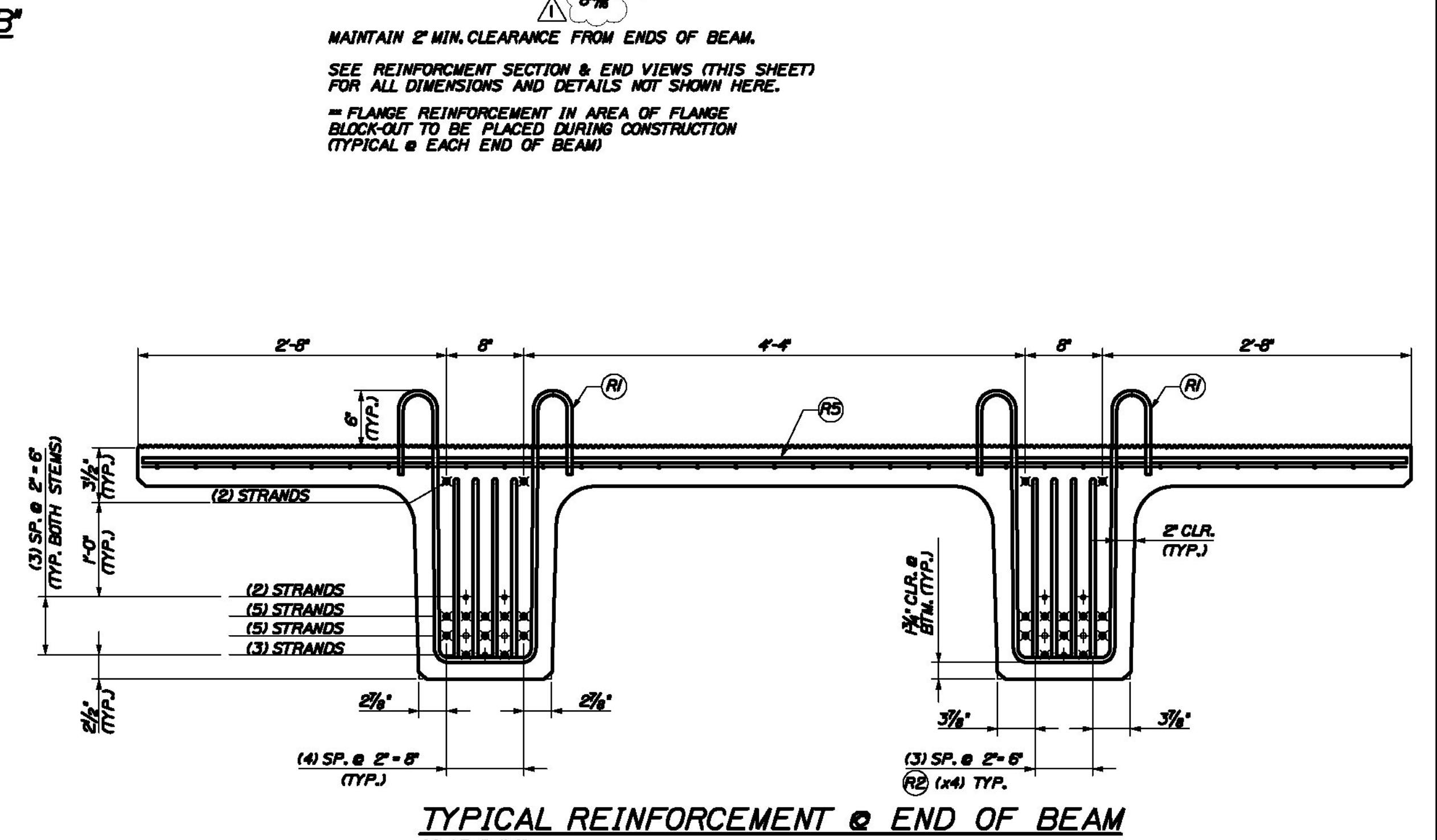
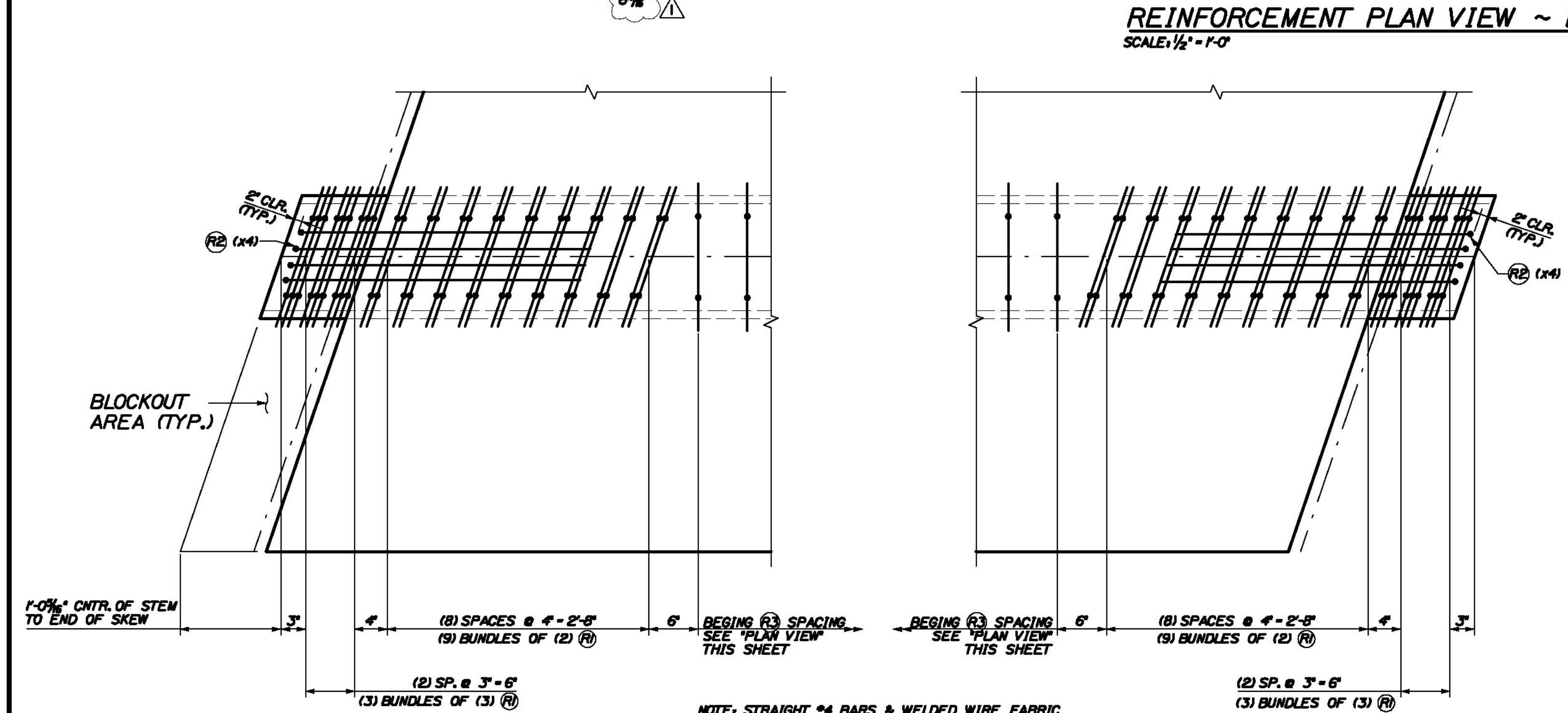
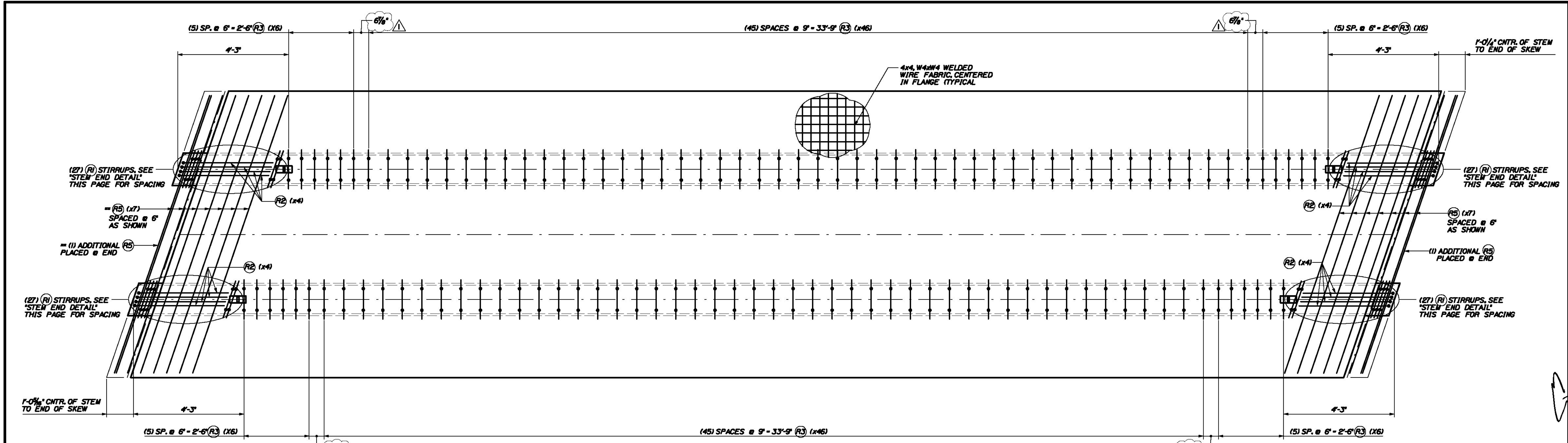


Date: 7/20/2011

Username: common

Filename: ... \016\_Beam\_B3-NB\_Reinf.dwg



REINFORCING CHART					
ITEM	QTY.	TOTAL	SIZE	TYPE	LENGTH
R1	108	108	4	BENT	6'-8"
R2	16	16	4	BENT	8'-5 1/4"
R3	116	116	4	BENT	8'-7 1/2"
R5	16	16	4	STRT.	11'-3 1/4"
-	515 str.	515 str.	4x4	D4xW4 WELDED WIRE FABRIC	
BAR SIZE		WT./BEAM	TOTAL WT.		
4		1275	1275		
WWF		440	440		

NOTES:

BENT BAR LENGTHS SHOWN REPRESENT BAR LENGTHS BEFORE BENDING.

TENSION LOAD = 43.94 KIPS/ STRAND

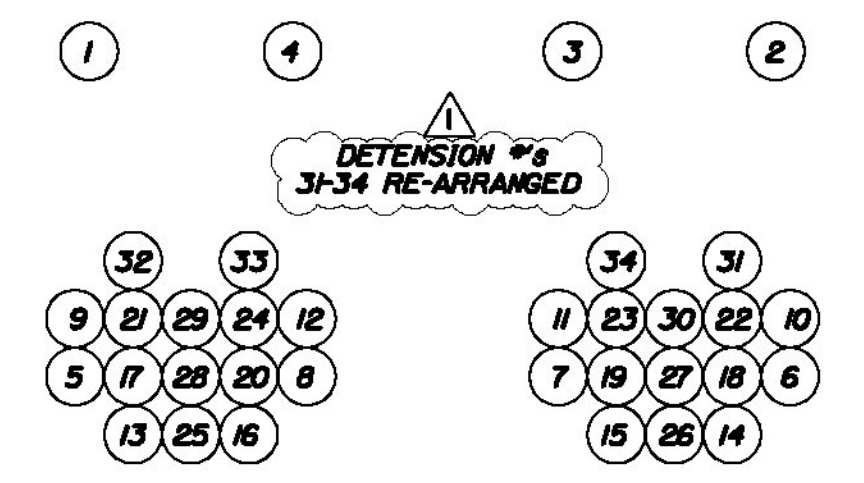
STRAND: 5 # 270 KSI LOW RELAXATION ASTM A643 REBAR; AASHTO M31, GRADE 60, EPOXY COATED

ALL TOLERANCES TO PCI STANDARDS

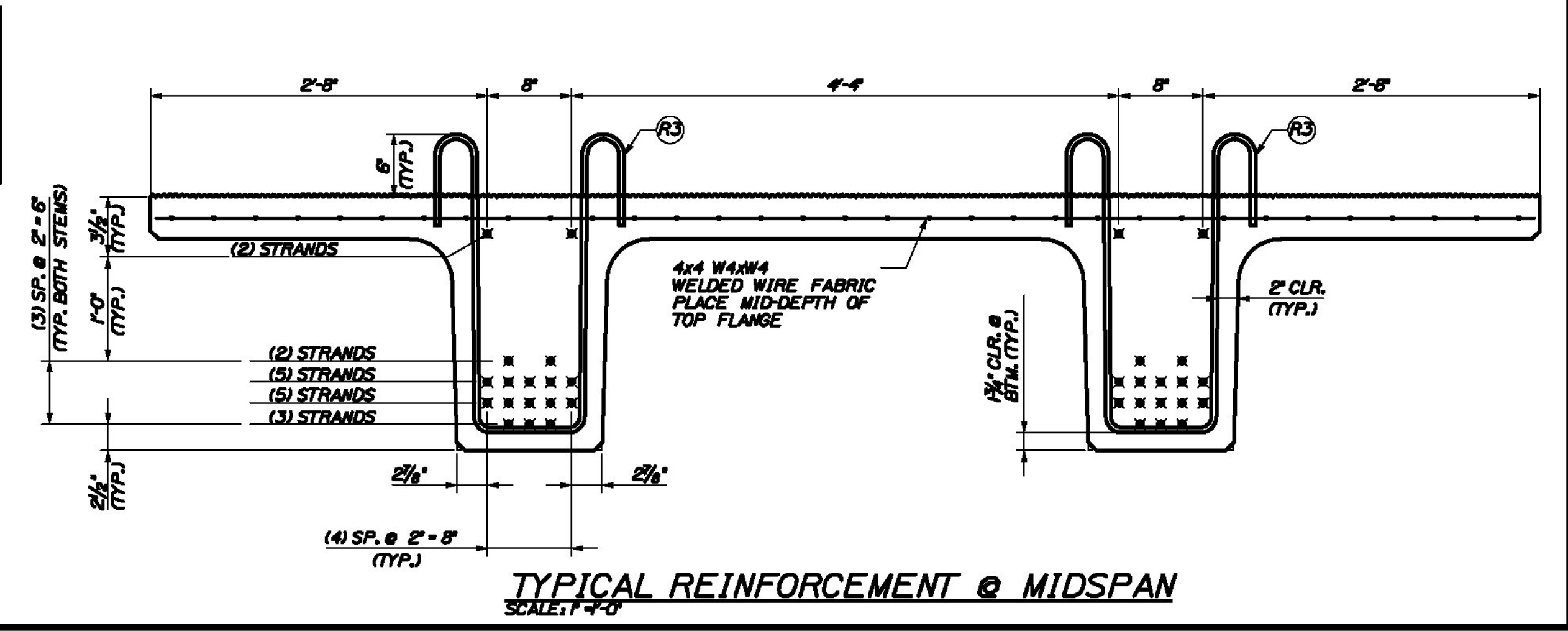
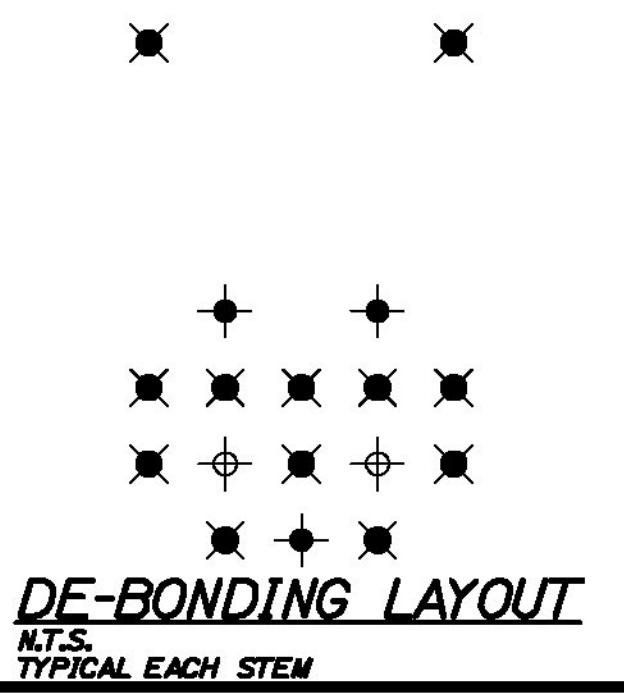
(1) "B3-NB" NEXT BEAM BEAM REQUIRED

SEE SHEET #15 FOR GEOMETRIC DETAILS

SEE SHEET #2 FOR BENT REBAR DETAILS



STRAND LEGEND	
⊗	0.6" FULLY TENSIONED STRAND
⊕	0.6" FULLY TENSIONED STRAND (DEBOUND 0.50 FEET)
⊗	0.6" FULLY TENSIONED STRAND (DEBOUND 5.75 FEET)
⊕	0.6" FULLY TENSIONED STRAND (DEBOUND 8.75 FEET)



THE PROFESSIONAL ENGINEER'S STAMPS AND SEALS WERE PREPARED UNDER THE DIRECT SUPERVISION OF A REGISTERED PROFESSIONAL ENGINEER AND COMPLY WITH THE DESIGN AND DETAILS SHOWN ON THE CONTRACT DRAWING UNLESS REQUESTED OTHERWISE.

CONTRACTOR: BECK & BELLUCCI, INC.

PROJECT: BRATTLEBORO, VERMONT

IM 019-1(60)

STATE OF VERMONT  
NO. 87  
LICENSED PROFESSIONAL ENGINEER

W. E. DALEY, INC.  
PRECAST CONCRETE PRODUCTS  
TEL: 802-254-4411 FAX: 802-254-4470  
ROUTE 100, BRATTLEBORO, VT 05750

I-91 BRATTLEBORO, VERMONT  
OVER MAPLE ST.

BEAM TYPE "B3-NB"  
REINFORCEMENT DETAILS

SHEET NUMBER

16