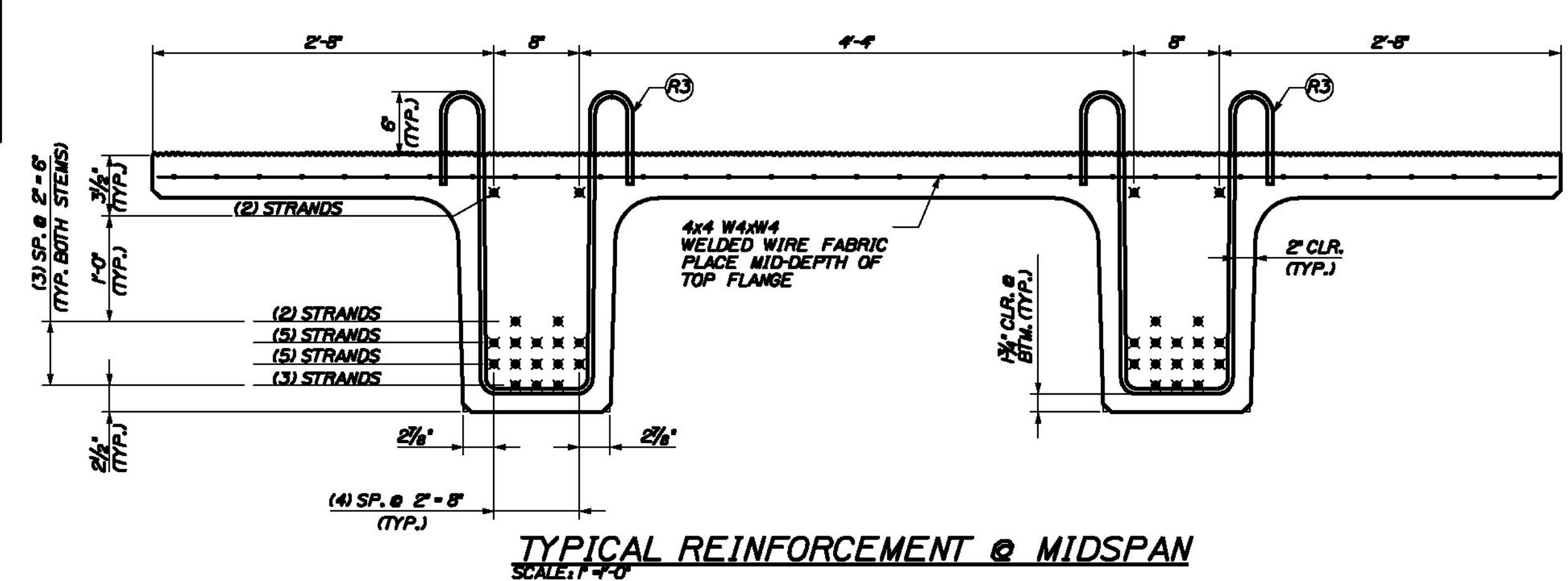
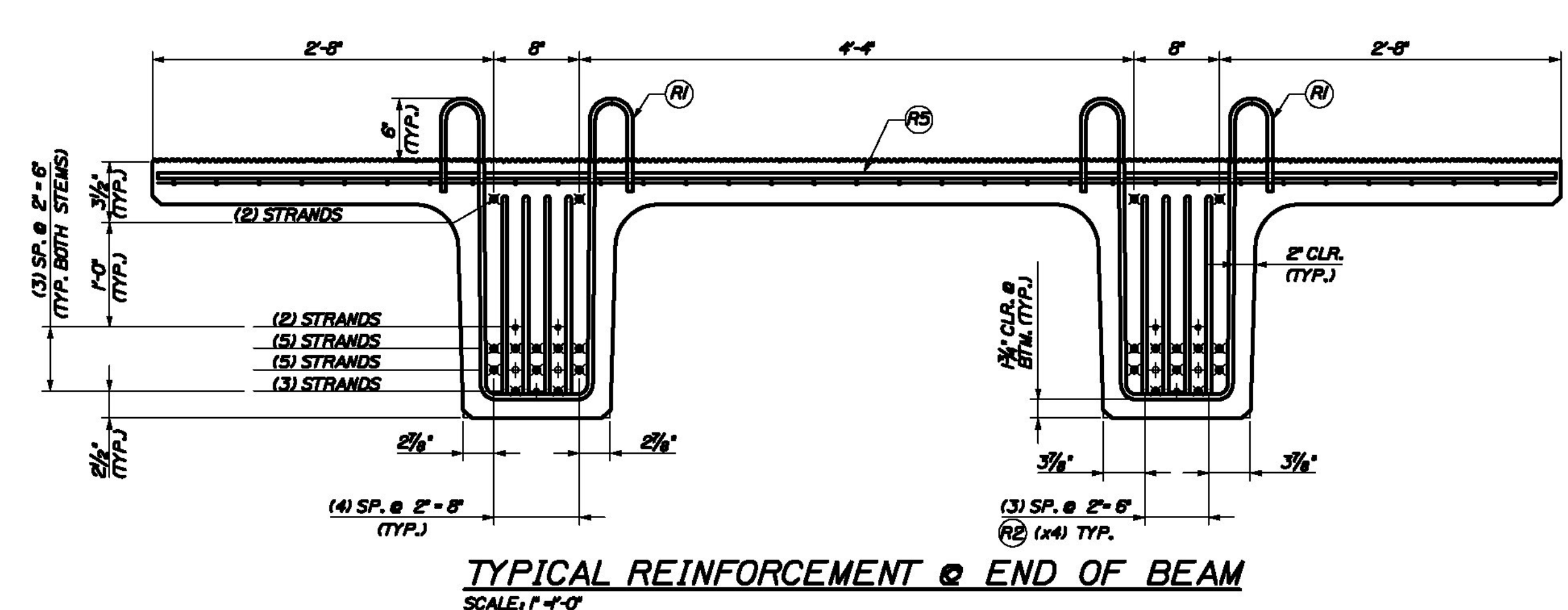
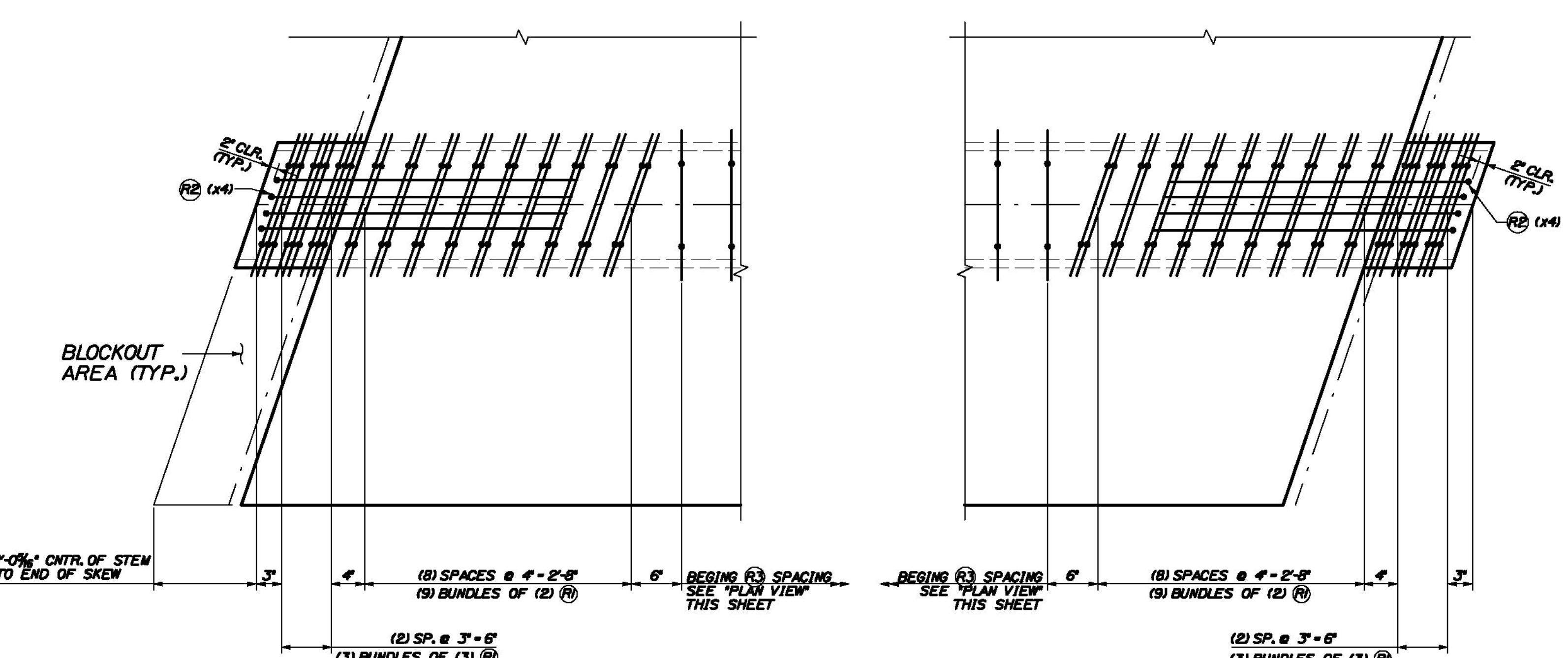
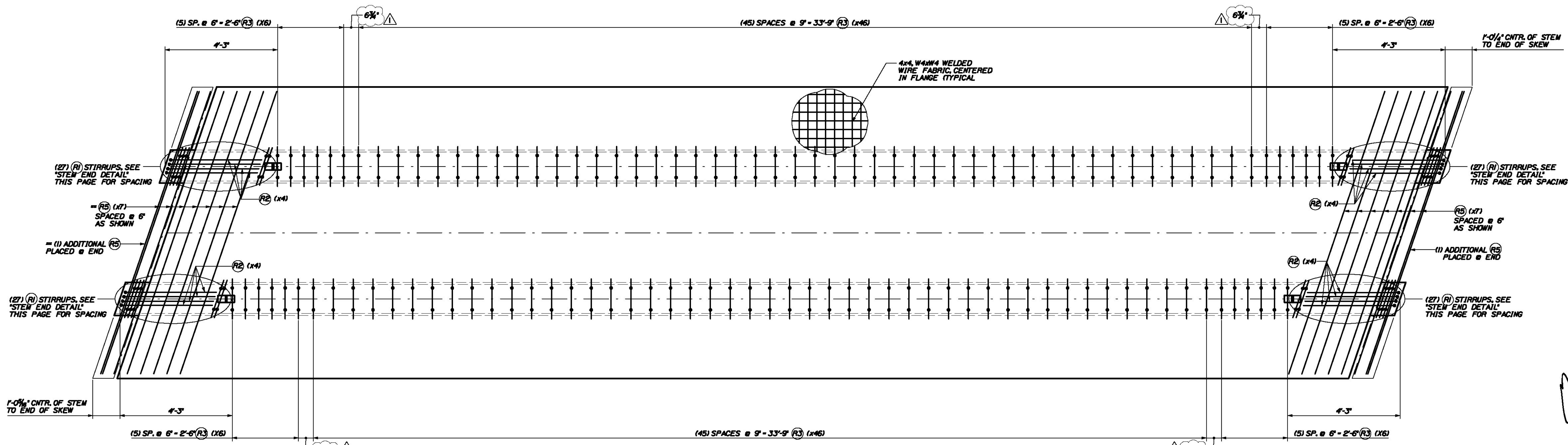


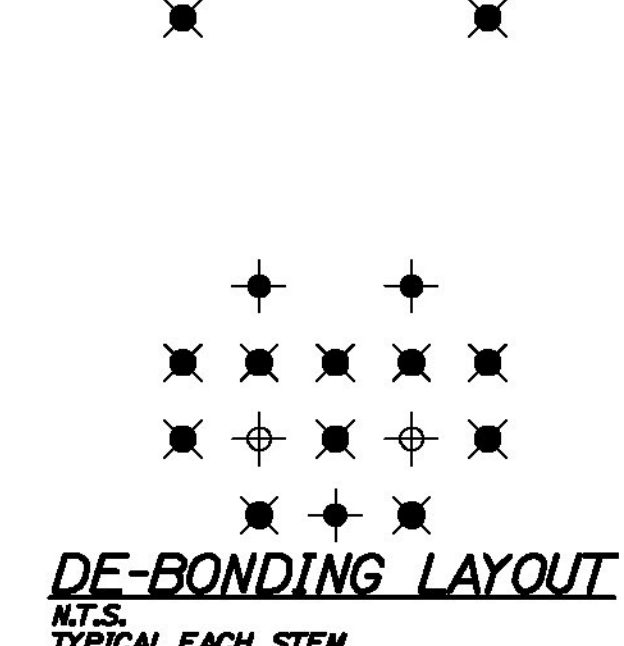
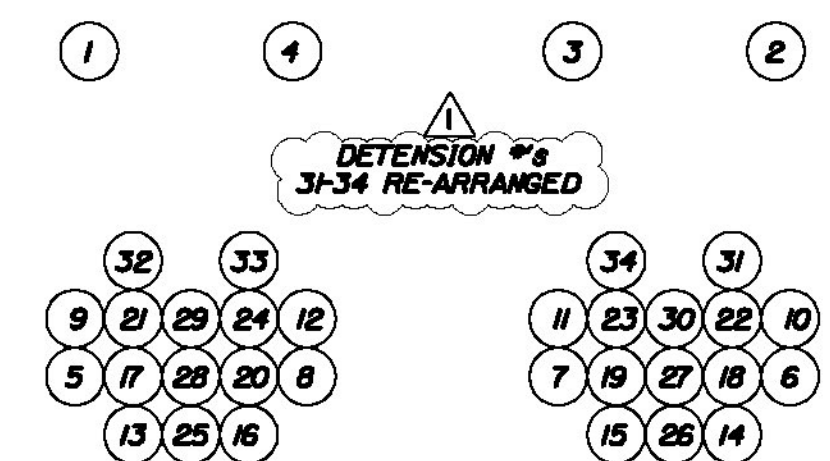
Date: 7/20/2011

Username: common

Filename: ... \014_Beam_B2-NB_Reinf.dwg



STRAND LEGEND	
	0.6" FULLY TENSIONED STRAND
	0.6" FULLY TENSIONED STRAND (DEBOUND 0.50 FEET)
	0.6" FULLY TENSIONED STRAND (DEBOUND 5.75 FEET)
	0.6" FULLY TENSIONED STRAND (DEBOUND 8.75 FEET)



REINFORCING CHART					
ITEM	QTY.	TOTAL	SIZE	TYPE	LENGTH
R1	108	108	4	BENT	8'-0"
R2	16	16	4	BENT	8'-5 1/4"
R3	116	116	4	BENT	8'-7 1/2"
R5	16	16	4	STRT.	11'-3 1/4"
-	515 str.	515 str.	4x4	D4x4 WELDED WIRE FABRIC	
BAR SIZE		WT./BEAM	TOTAL WT.		
4		1275	1275		
WWF		440	440		

NOTES:
BENT BAR LENGTHS SHOWN REPRESENT BAR LENGTHS BEFORE BENDING.
TENSION LOAD = 43.94 KIPS/ STRAND STRAND: 5 # 270 KSI LOW RELAXATION ASTM A603 REBAR; AASHTO M31, GRADE 60, EPOXY COATED ALL TOLERANCES TO PCI STANDARDS
(1) "B2-NB" NEXT BEAM BEAM REQUIRED
SEE SHEET #13 FOR GEOMETRIC DETAILS
SEE SHEET #2 FOR BENT REBAR DETAILS

Add notes or diagrams that show required strand projections as shown in the design drawings on sheet 406, note 1

THE PROFESSIONAL ENGINEER'S STAMPS AND SEALS WERE PREPARED UNDER THE DIRECT SUPERVISION OF A REGISTERED PROFESSIONAL ENGINEER AND COMPLY WITH THE DESIGN AND DETAILS SHOWN ON THE CONTRACT DRAWING UNLESS REQUESTED OTHERWISE.
CONTRACTOR: BECK & BELLUCCI, INC.
PROJECT: BRATTLEBORO, VERMONT
IM 019-1(60)

STATE OF VERMONT
NO. 87
LICENSED PROFESSIONAL ENGINEER

W. E. DALEY, INC.
PRECAST CONCRETE PRODUCTS
TEL: 802-254-4471 FAX: 802-254-4770
ROUTE 100, BRATTLEBORO, VT 05701

I-91 BRATTLEBORO, VERMONT
OVER MAPLE ST.
BEAM TYPE "B2-NB"
REINFORCEMENT DETAILS

SHEET NUMBER
14