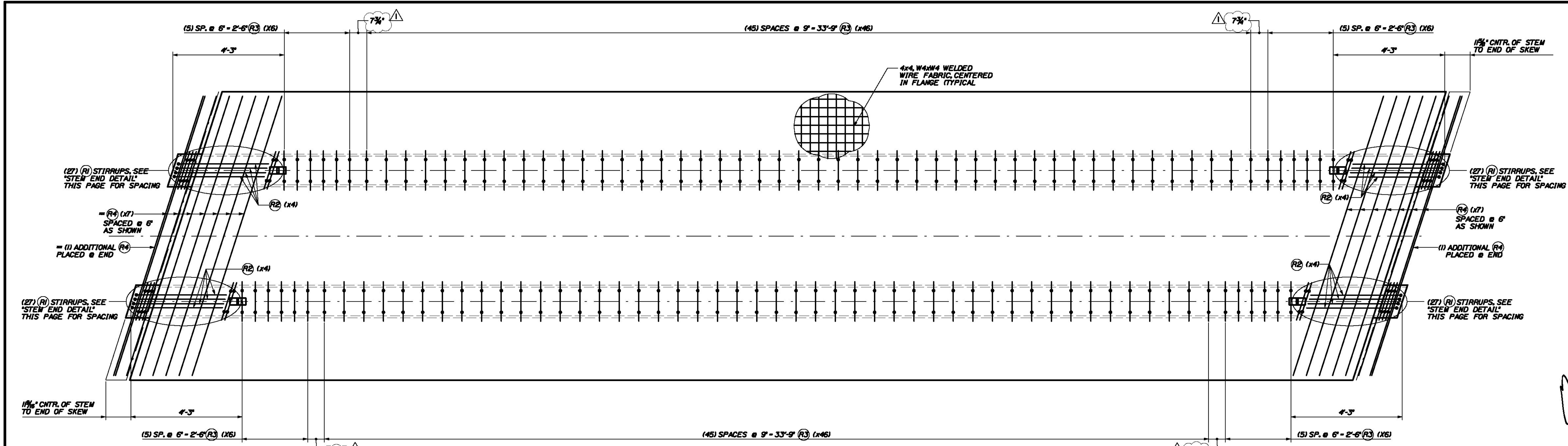


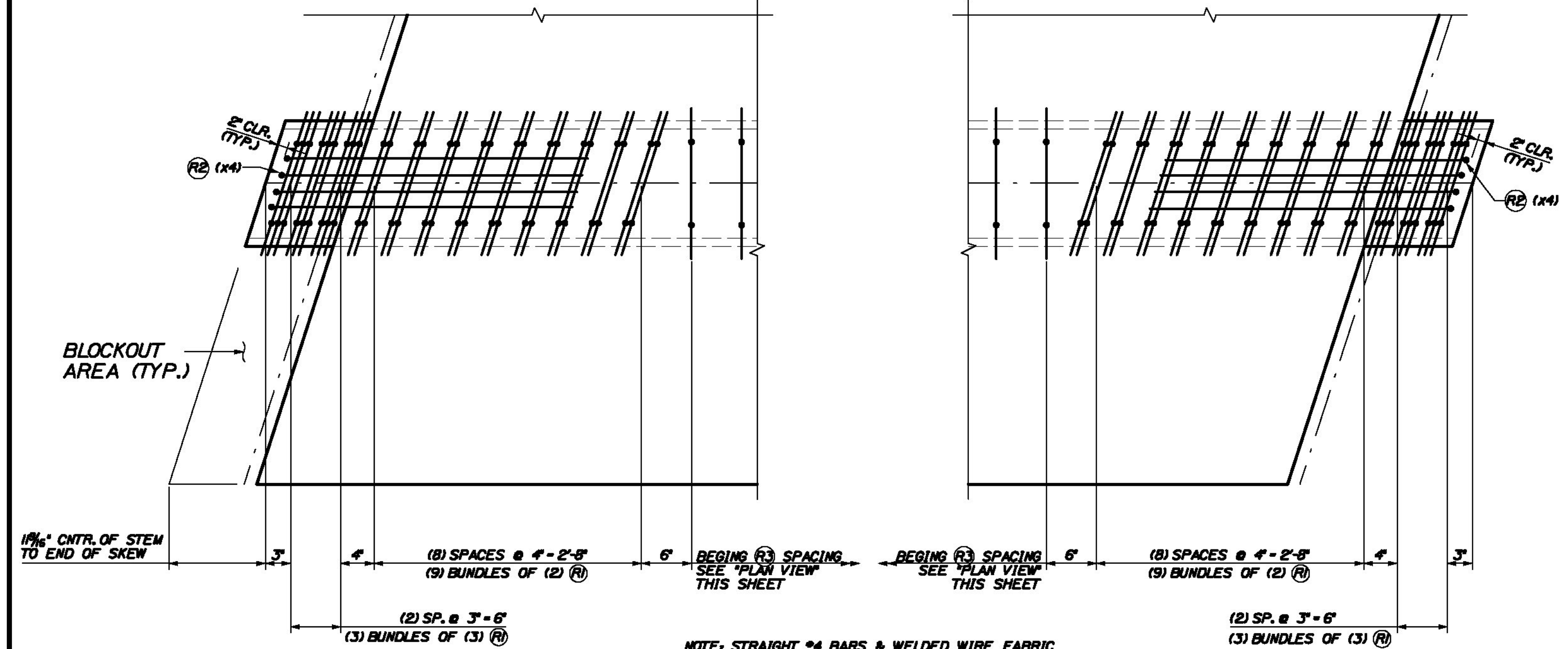
Date: 7/20/2011

Username: common

Filename: ... \004\_Beam\_A1-NB\_Reinforcement.dwg Structures Division



**REINFORCEMENT PLAN VIEW ~ BEAM "A1-NB"**  
SCALE: 1/2" = 1'-0"

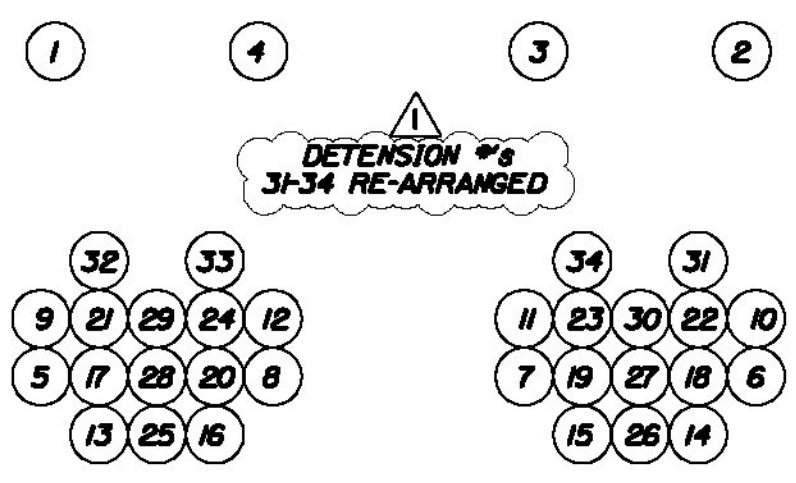


**STEM END DETAIL**  
SCALE: 1" = 1'-0"

Add notes or diagrams that show required strand projections as shown in the design drawings on sheet 406, note 1

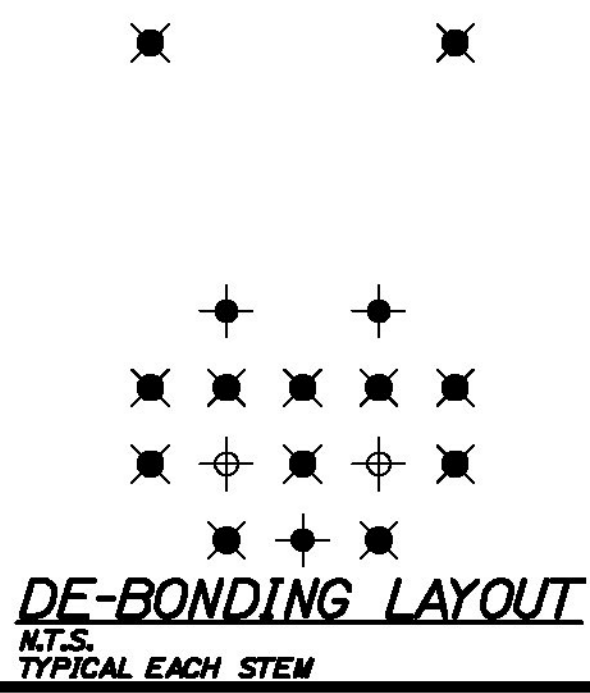
REINFORCING CHART					
ITEM	QTY.	TOTAL	SIZE	TYPE	LENGTH
R1	108	108	4	BENT	8'-0"
R2	16	16	4	BENT	8'-5 1/4"
R3	116	116	4	BENT	8'-7 1/2"
R4	16	16	4	STRT.	11'-2 1/2"
-	515 str.	515 str.		4x4 D4xM4 WELDED WIRE FABRIC	
BAR SIZE		WT./BEAM	TOTAL WT.		
4		1275	1275		
WWF		440	440		

**NOTES:**  
BENT BAR LENGTHS SHOWN REPRESENT BAR LENGTHS BEFORE BENDING.  
TENSION LOAD = 43.94 KIPS/ STRAND STRAND: 5/8" 270 KSI LOW RELAXATION ASTM A603 REBAR: AASHTO M31, GRADE 60, EPOXY COATED ALL TOLERANCES TO PCI STANDARDS  
(1) "A1-NB" NEXT BEAM BEAM REQUIRED  
SEE SHEET #3 FOR GEOMETRIC DETAILS  
SEE SHEET #2 FOR BENT REBAR DETAILS

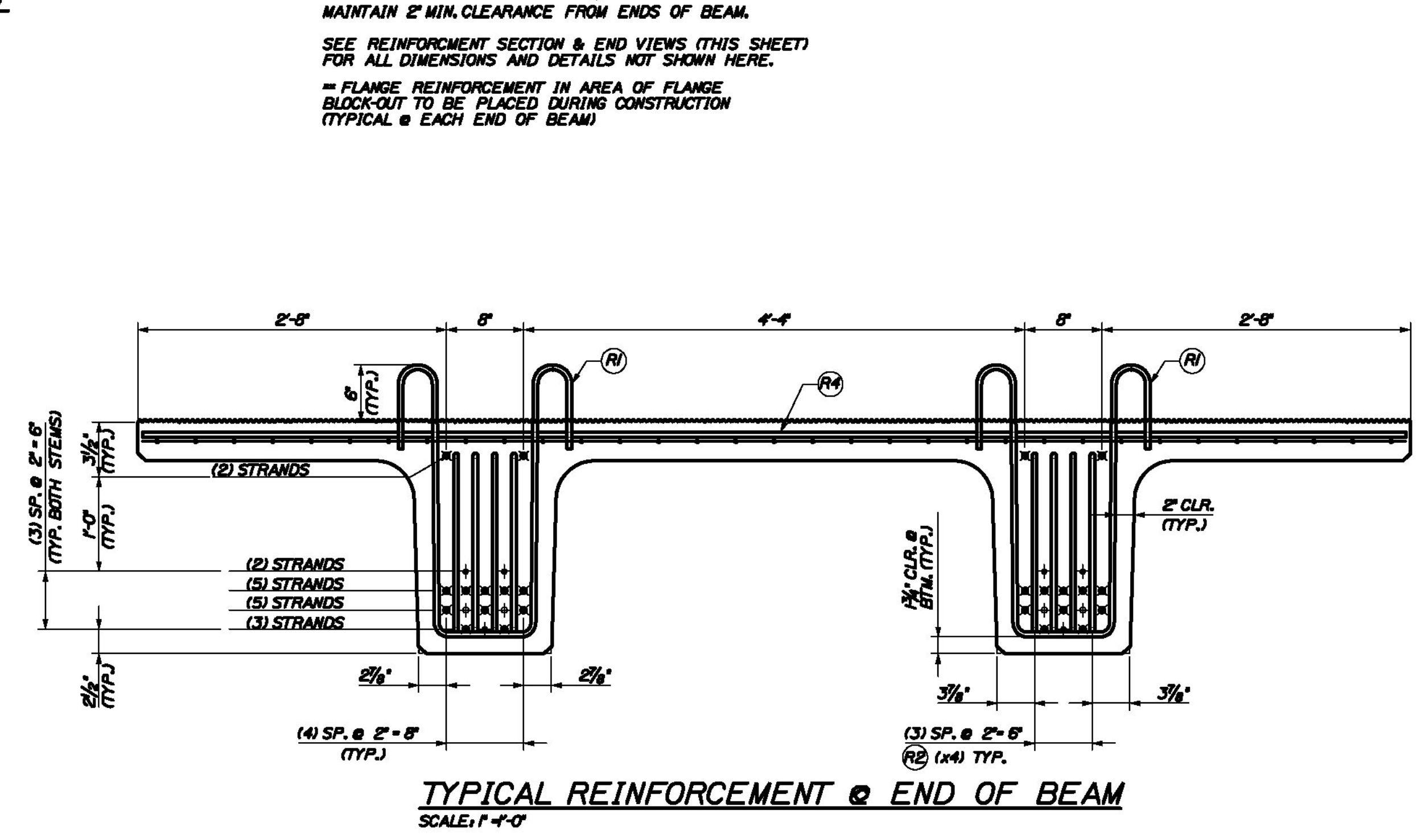


**DE-TENSION SEQUENCE**  
N.T.S.

STRAND LEGEND	
	0.6" FULLY TENSIONED STRAND
	0.6" FULLY TENSIONED STRAND (DEBOUND 0.50 FEET)
	0.6" FULLY TENSIONED STRAND (DEBOUND 5.75 FEET)
	0.6" FULLY TENSIONED STRAND (DEBOUND 8.75 FEET)

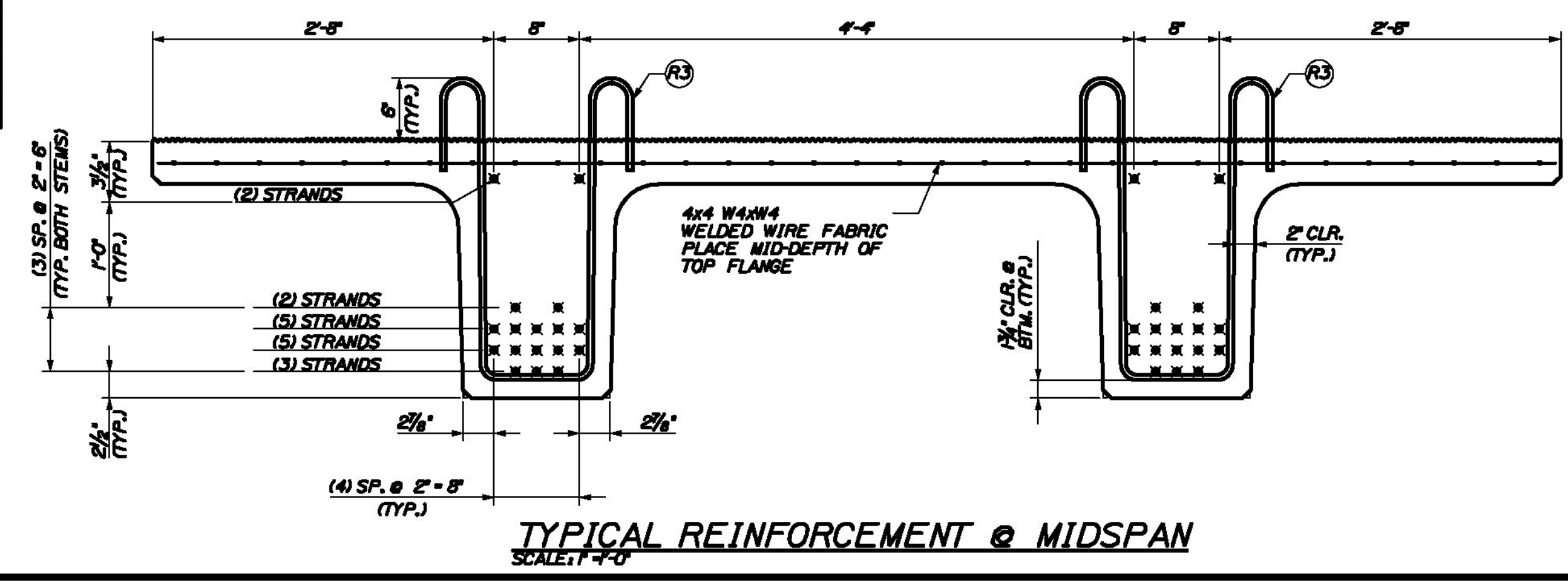


**DE-BONDING LAYOUT**  
N.T.S. TYPICAL EACH STEM



MAINTAIN 2" MIN. CLEARANCE FROM ENDS OF BEAM.  
SEE REINFORCEMENT SECTION & END VIEWS (THIS SHEET) FOR ALL DIMENSIONS AND DETAILS NOT SHOWN HERE.  
= FLANGE REINFORCEMENT IN AREA OF FLANGE BLOCK-OUT TO BE PLACED DURING CONSTRUCTION (TYPICAL @ EACH END OF BEAM)

**TYPICAL REINFORCEMENT @ END OF BEAM**  
SCALE: 1" = 1'-0"



**TYPICAL REINFORCEMENT @ MIDSPAN**  
SCALE: 1" = 1'-0"

THE PROFESSIONAL ENGINEER'S STAMPS AND SEALS WERE PREPARED UNDER THE DIRECT SUPERVISION OF A REGISTERED PROFESSIONAL ENGINEER AND COMPLY WITH THE DESIGN AND DETAILS SHOWN ON THE CONTRACT DRAWING UNLESS REQUESTED OTHERWISE.  
CONTRACTOR: BECK & BELLUCCI, INC.  
PROJECT: BRATTLEBORO, VERMONT  
IM 019-1(60)

STATE OF VERMONT  
NO. 87  
LICENSED PROFESSIONAL ENGINEER

**W. E. DALEY, INC.**  
PRECAST CONCRETE PRODUCTS  
TEL: 802-254-4411 FAX: 802-254-4470  
ROUTE 100, WASHINGTON, VERMONT 05676

**I-91 BRATTLEBORO, VERMONT OVER MAPLE ST.**  
**BEAM TYPE "A1-NB" REINFORCEMENT DETAILS**

SHEET NUMBER  
**4**