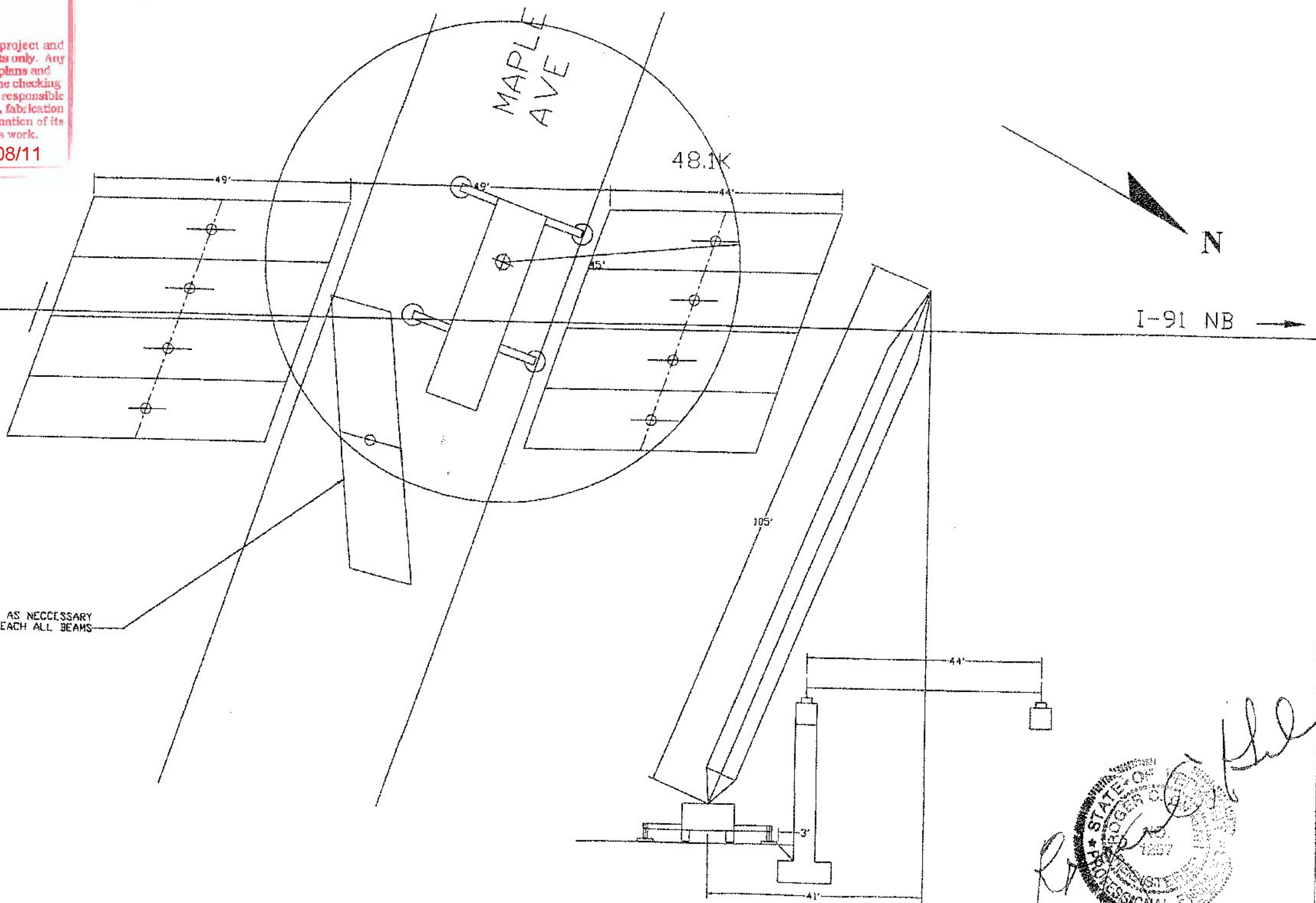


T-Y-LIN INTERNATIONAL

No Exception Taken
 Make Correction as Noted
 Submit Specified Item
 Revise and Resubmit as Noted
 Rejected

Checking is for general compliance with the design concept of the project and general compliance with the information given in the contract documents only. Any action shown is not an approval and is subject to the requirements of the plans and specifications. Any action shown on a specific item shall not indicate the checking of an assembly of which the item is a component. Contractor is solely responsible for: dimensions which shall be confirmed and correlated at the job site, fabrication processes, techniques of construction, safety precautions; and coordination of its work with that of all other trades and the satisfactory performance of its work.

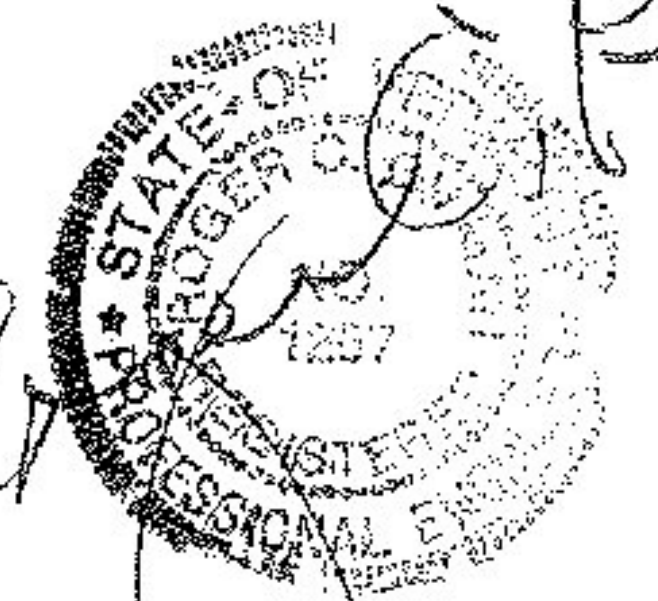
Reviewed By: *John A. [Signature]* Date: 09/08/11



ERECTION SEQUENCE

1. INSTALL BEARING DEVICES
 2. SET SPAN 1 NEXT BEAMS WITH CRANE SET UP BEHIND SOUTH ABUTMENT
 3. SET SPAN 3 NEXT BEAMS WITH CRANE SET UP BEHIND NORTH ABUTMENT
 4. SET SPAN 2 NEXT BEAMS WITH CRANE SET UP ON MAPLE AVE
- PROPOSED CRANE: GROVE GMK 5120B 120 TON HYDRAULIC TRUCK CRANE

[Handwritten signature]



SHEET 1 of 1	
TITLE: BRIDGE 5 NEXT BEAM ERECTION PLAN	
PROJECT: BRATTLEBORO, VT IM 091-1 (50)	
SCALE: 1" = 20'	DATE: AUGUST, 2011
BECK & BELLUCCI, INC. FRANKLIN, NEW HAMPSHIRE	