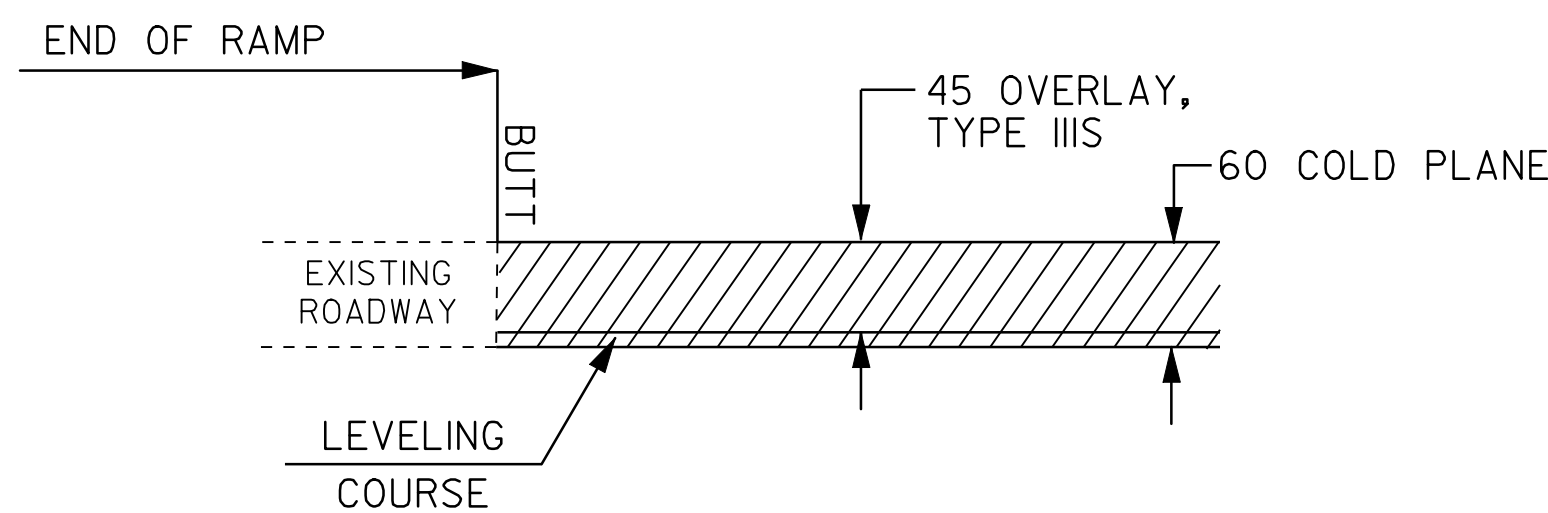


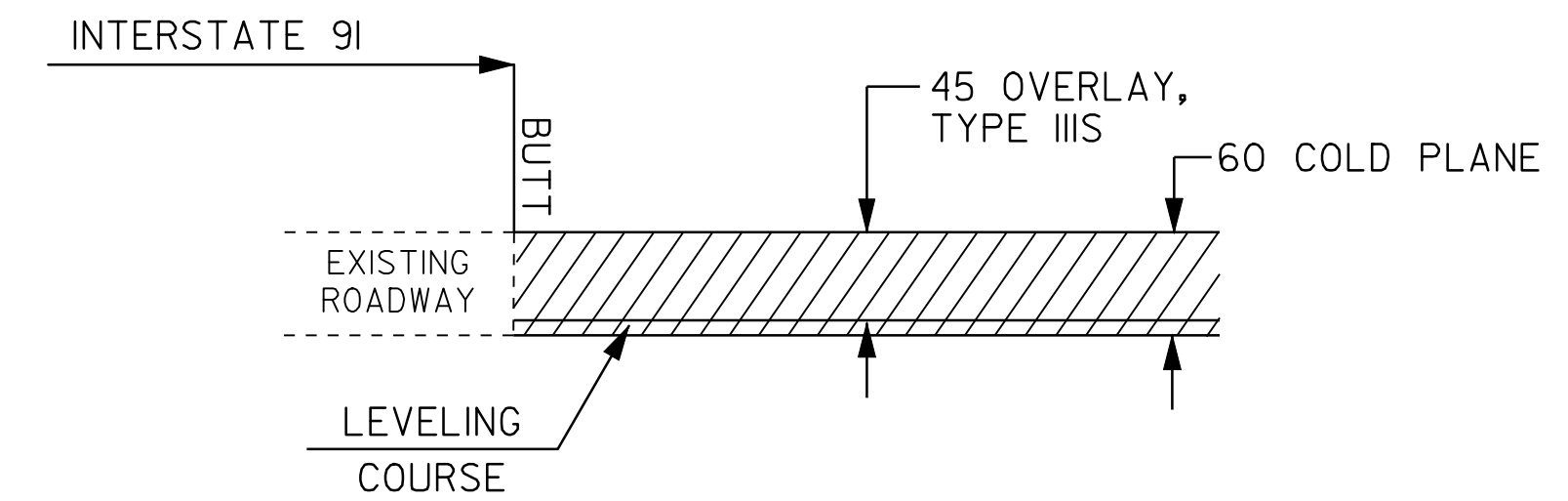
DETAIL OF EXPANSION JOINT ON BRIDGE



RAMP APPROACH AREA DETAIL

LOCATION

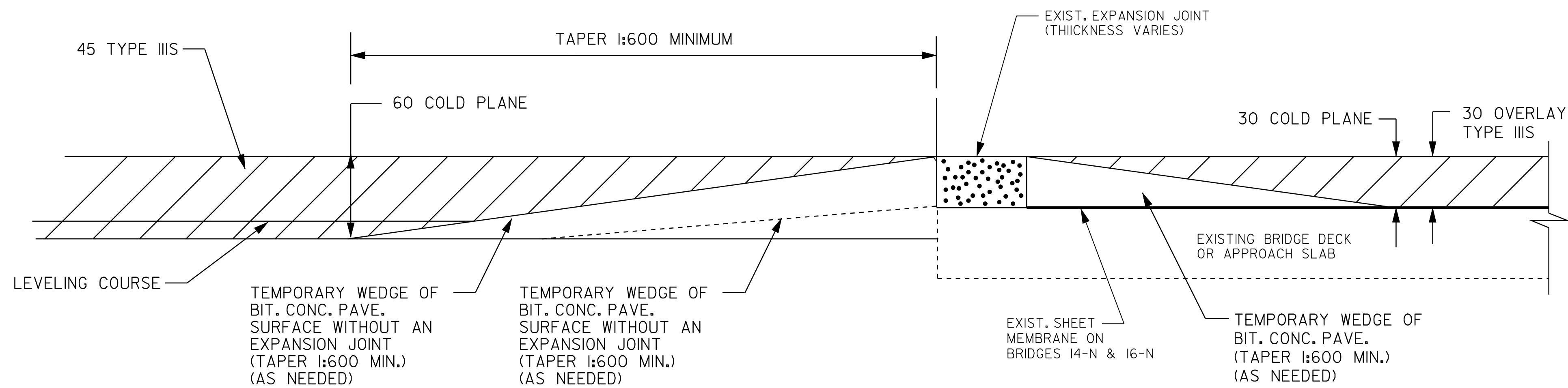
EXIT 4 - END OF ON & OFF RAMPs (@ PAVEMENT MATCH)
 EXIT 5 - END OF ON & OFF RAMPs (@ PAVEMENT MATCH)



MAINLINE APPROACH AREA DETAIL

LOCATION

BEGINNING OF PROJECT - STA 19+176.80 (MM 11.916)
 END OF PROJECT - STA 48+280.32 (MM 30.000)



BRIDGE APPROACH DETAIL

BR # 14-N	STA 29+671	(MM 18.437)	STA 29+753	(MM 18.488)
BR # 15-N	STA 31+623	(MM 19.650)	STA 31+737	(MM 19.721)
BR # 16-N	STA 34+232	(MM 21.271)	STA 34+326	(MM 21.329)
BR # 18-N	STA 41+208	(MM 25.605)	STA 41+260	(MM 25.638)
BR # 20-N	STA 45+008	(MM 27.967)	STA 46+066	(MM 28.624)

NOT TO SCALE

NOTE: ALL DIMENSIONS IN METERS EXCEPT AS INDICATED

**PROJECT
 TYPICAL
 SHEET 3**

PROJECT NAME: BRATTLEBORO - WESTMINSTER
 PROJECT NUMBER: IM 091-(41)

FILE NAME: Z:\pave\09a008\pave008.dgn PLOT DATE: 06-APR-2005 11:55
 PROJECT LEADER: WRH DRAWN BY: JAC
 DESIGNED BY: PIS CHECKED BY: PIS
 IPARM NAME: pa008ty03.i SHEET 4 OF 24