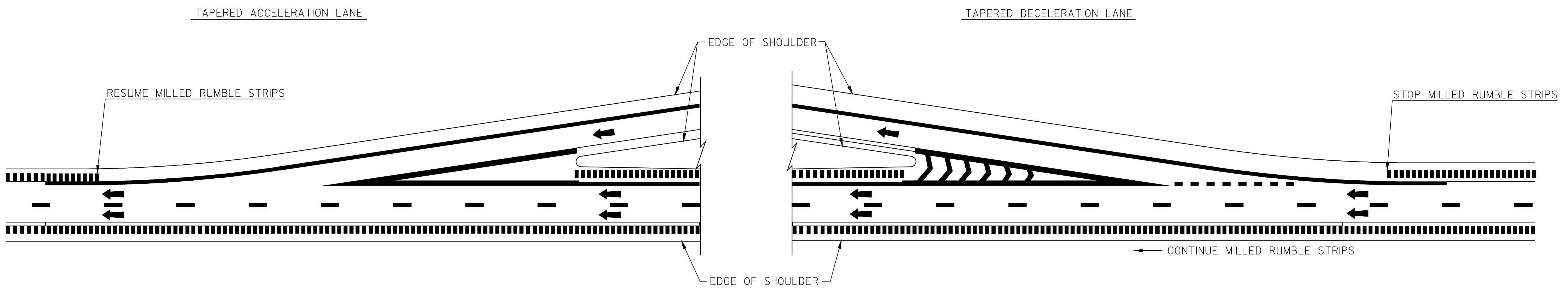
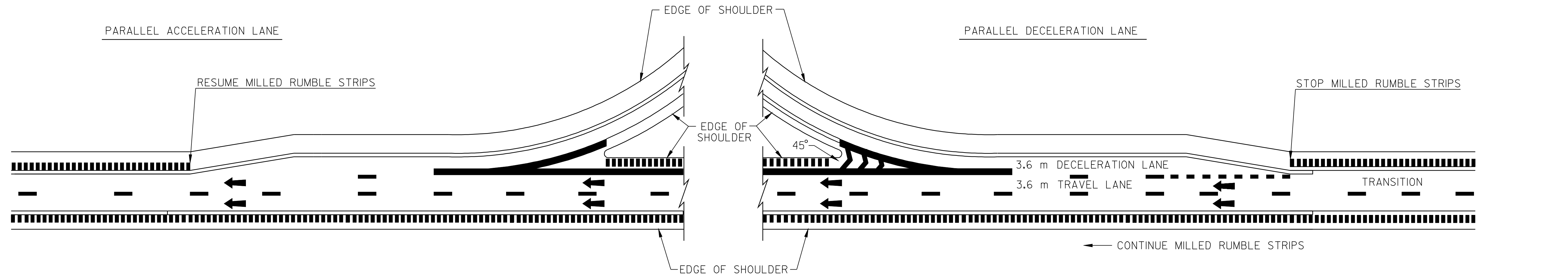


# TYPICAL MILLING AT INTERCHANGES & REST AREAS



NOTE:  
 1. THIS TYPICAL MAY BE MODIFIED AT THE DISCRETION OF THE RESIDENT ENGINEER IF ACTUAL FIELD CONDITIONS NECESSITATE SUCH ACTIONS.

LEGEND  
 DIRECTION OF TRAFFIC FLOW  
 MILLED RUMBLE STRIPS

DATUM  
 VERTICAL N/A  
 HORIZONTAL N/A

MILLED RUMBLE STRIP DETAIL SHEET #1

|   |                                      |
|---|--------------------------------------|
| DESIGNED BY _____                               | DATE <u>10-02</u>                    |
| DRAWN BY _____                                  | DATE <u>10-02</u>                    |
| DESIGN FILE NO. <u>/pave/01a028/p01a028.dgn</u> |                                      |
| PRF FILE <u>p01a028rsl.i</u>                    | DATE PLOTTED <u>1-JAN-2006 13:59</u> |
| PROJ. NAME <b>HARTFORD - SHARON</b>             |                                      |
| PROJ. NO. <b>AC IM 089-1(51)</b>                |                                      |
| SHEET <b>17</b> OF <b>21</b> SHEETS             |                                      |