

**TEMPORARY AND DURABLE 150 mm YELLOW LINE**  
 QUECHEE INTERCHANGE  
 RAMP B STA. **0+169**  
 NORTHBOUND OFF RAMP STA. **0+126** TO 0+553 LT (SOLID)  
 RAMP A  
 NORTHBOUND ON RAMP STA. 0+000 TO 0+298 LT (SOLID)

**TEMPORARY AND DURABLE LETTER OR SYMBOL**  
 QUECHEE INTERCHANGE  
 RAMP B  
 NORTHBOUND OFF RAMP "STOP AHEAD" STA. 0+248  
 NORTHBOUND OFF RAMP "WRONG WAY ARROW" STA. 0+308 (→)  
 NORTHBOUND OFF RAMP "STOP" (2) STA. 0+550

**TEMPORARY AND DURABLE 150 mm WHITE LINE**  
 QUECHEE INTERCHANGE  
 RAMP B STA. 0+000 TO **0+122** RT (DOTTED)  
 NORTHBOUND OFF RAMP STA. **0+092** TO 0+553 RT (SOLID)  
 RAMP A  
 NORTHBOUND ON RAMP STA. 0+000 TO 0+383 RT (SOLID)  
 NORTHBOUND ON RAMP STA. 0+383 TO **0+0+442** RT (DASHED)  
**0+439**

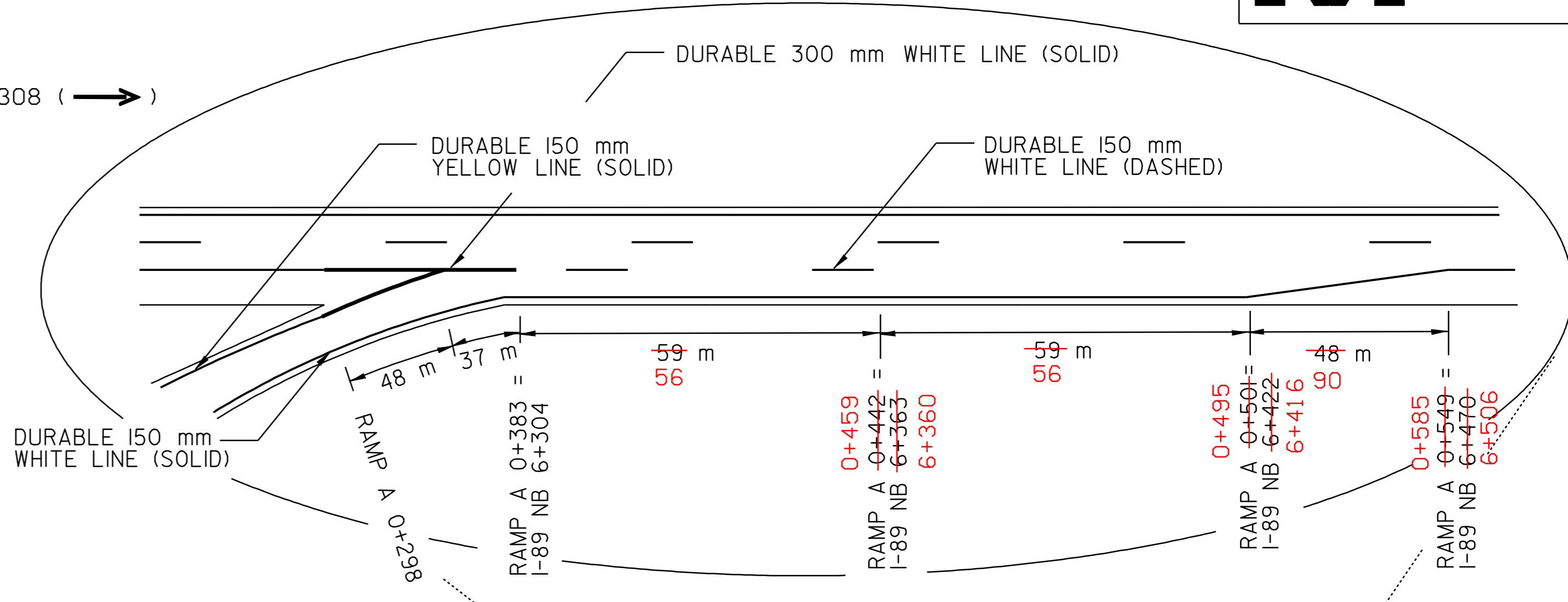
**TEMPORARY AND DURABLE 600 mm STOP BAR**  
 QUECHEE INTERCHANGE  
 RAMP B  
 NORTHBOUND OFF RAMP STA. 0+552

**PAINTED CURB**  
 QUECHEE INTERCHANGE  
 RAMP B/RAMP A NORTHBOUND ON/OFF RAMP  
 RAMP B STATIONS 0+529 TO 0+553 LT (50 M)

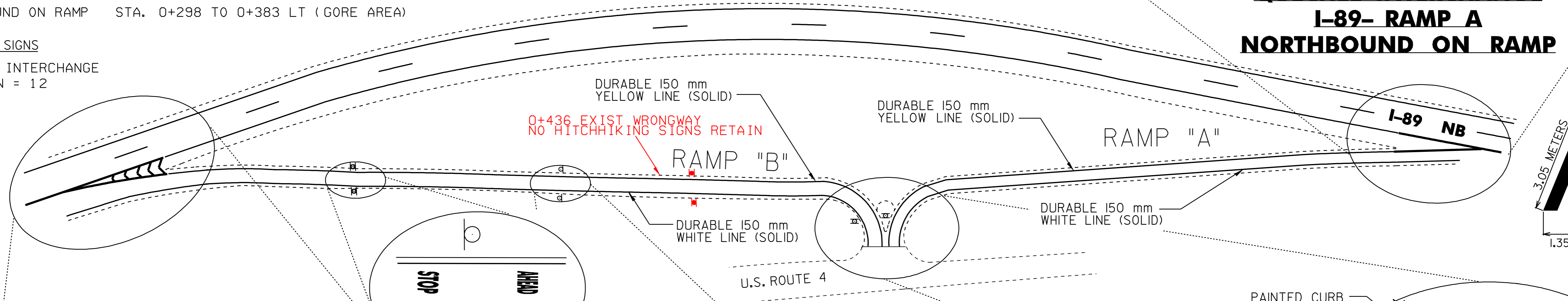
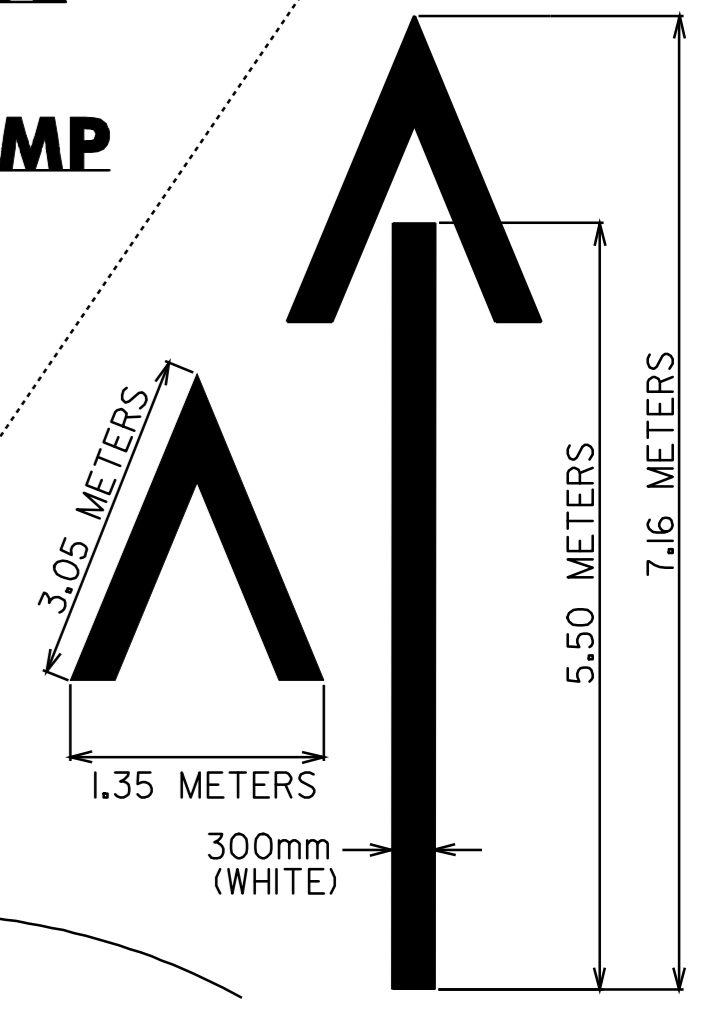
**PAINTED ISLAND**  
 QUECHEE INTERCHANGE  
 RAMP B/RAMP A NORTHBOUND ON/OFF RAMP  
 RAMP B STATIONS 0+529 TO 0+553 LT (24 SM)

**TEMPORARY AND DURABLE 300 mm WHITE LINE**  
 QUECHEE INTERCHANGE  
 RAMP B STA. **0+122** **0+169**  
 NORTHBOUND OFF RAMP STA. **0+092** TO **0+126** LT (GORE AREA W/DIAG.)  
 RAMP A  
 NORTHBOUND ON RAMP STA. 0+298 TO 0+383 LT (GORE AREA)

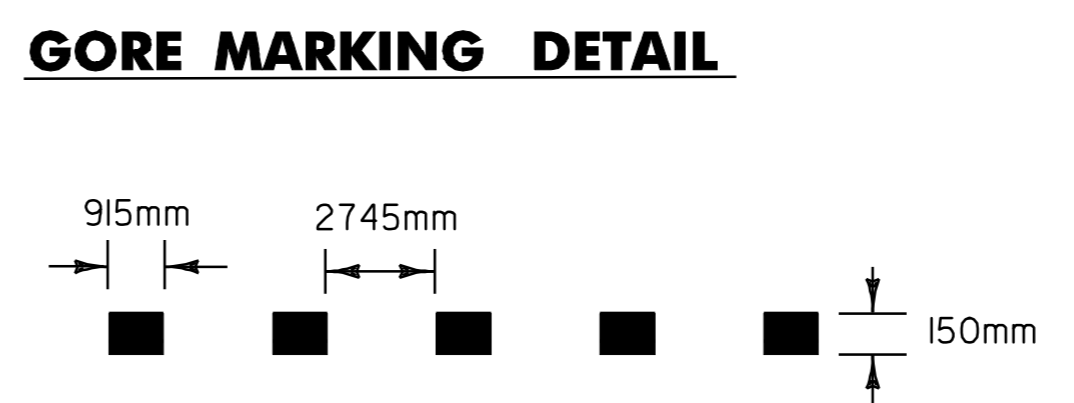
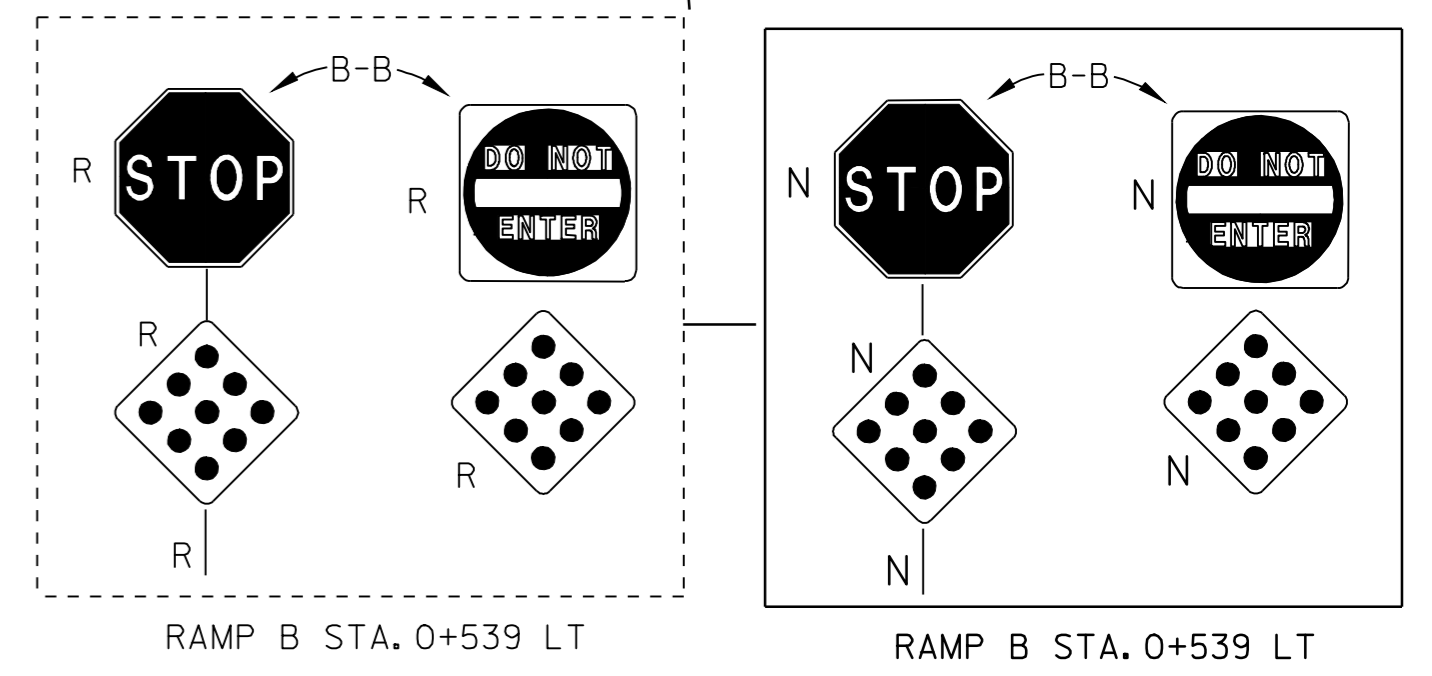
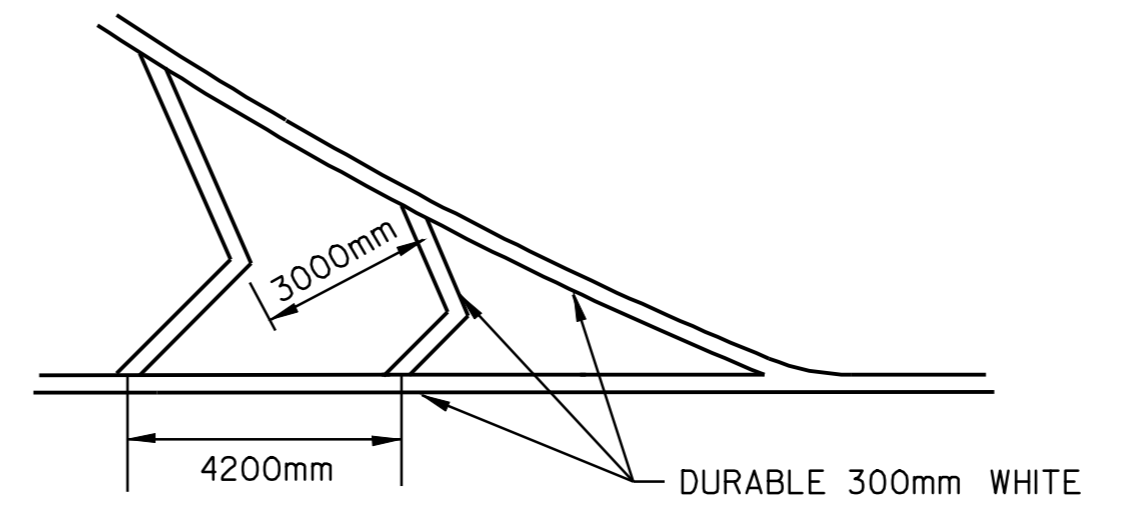
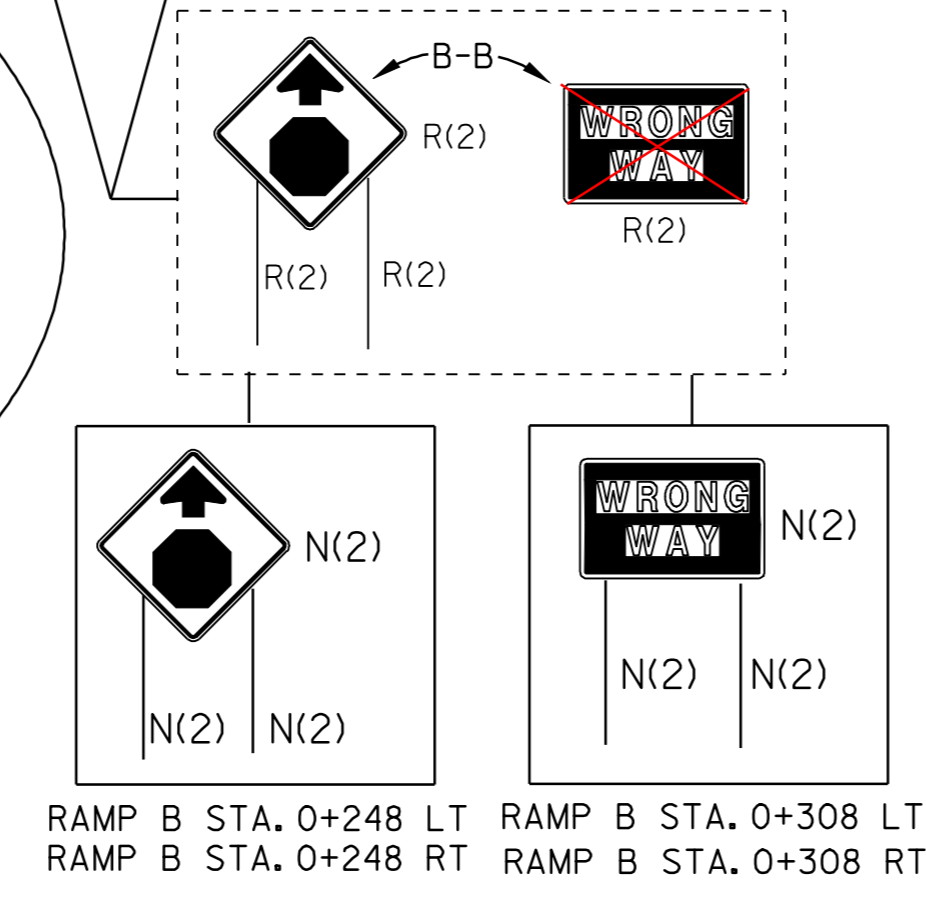
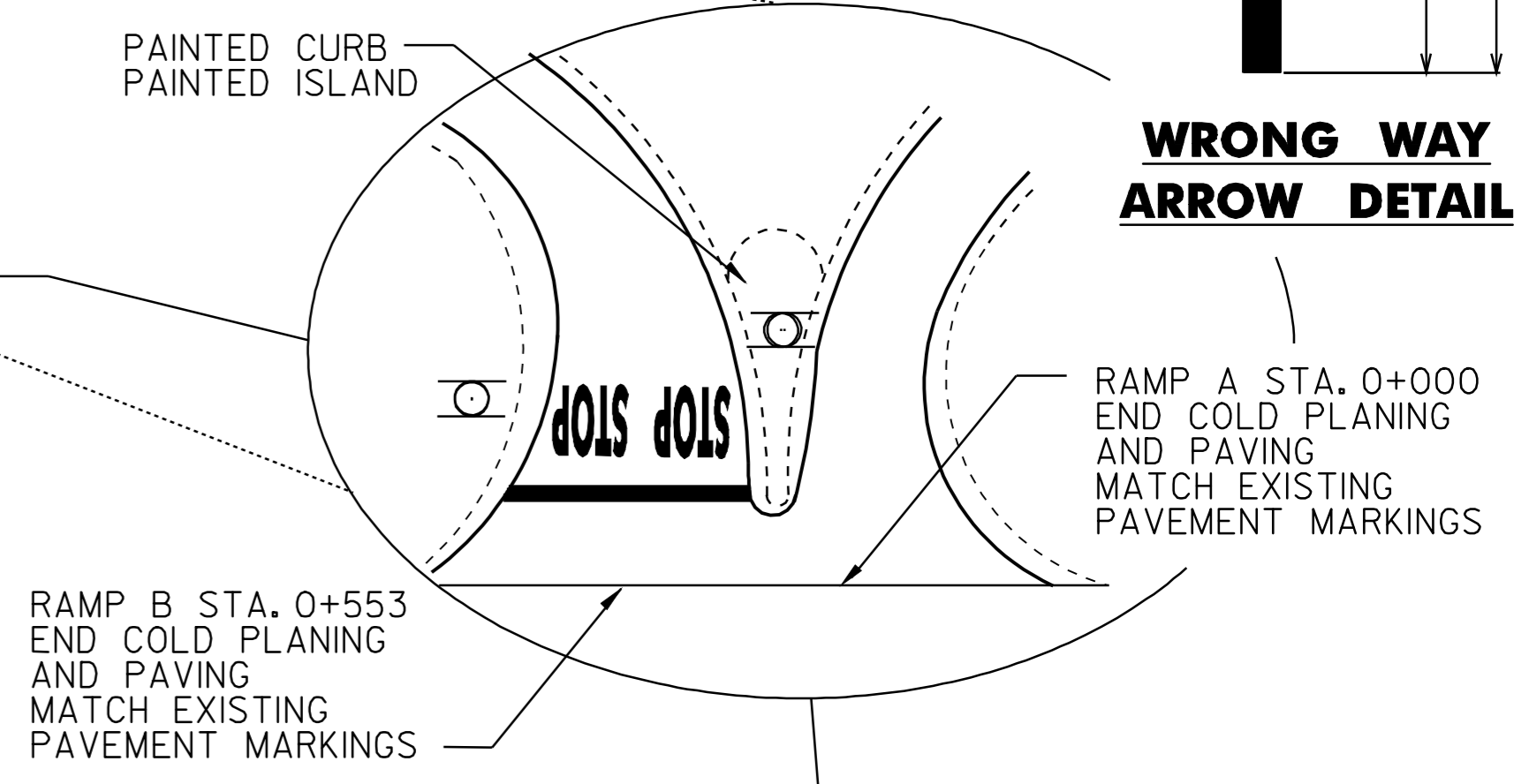
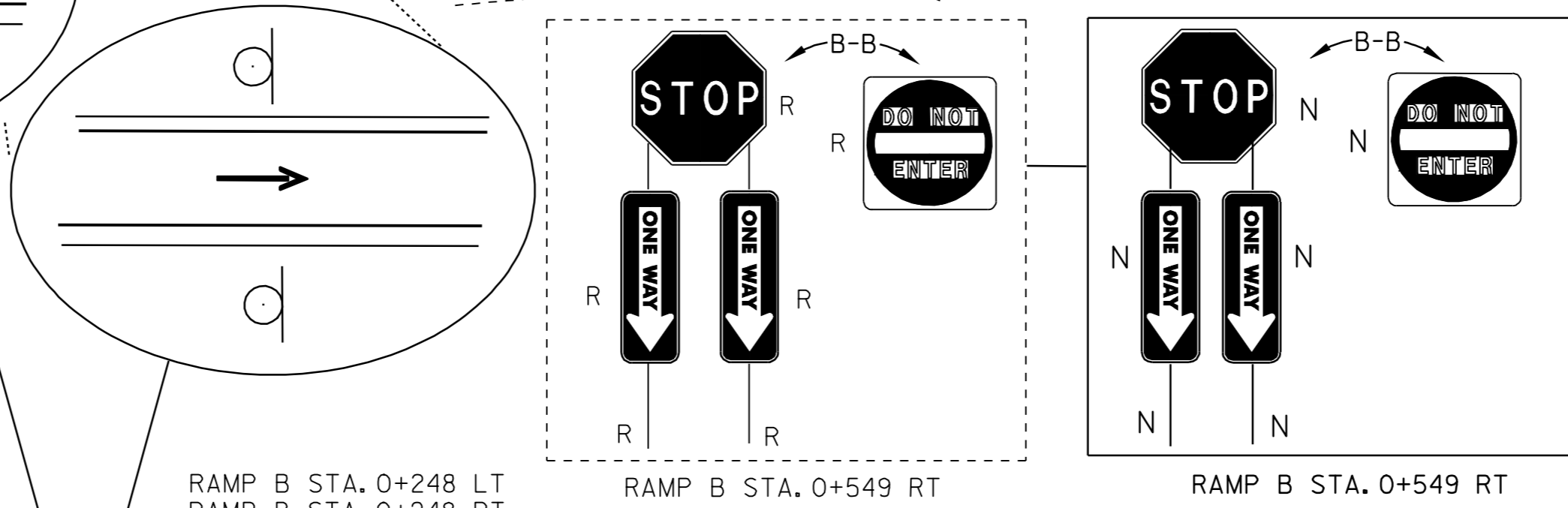
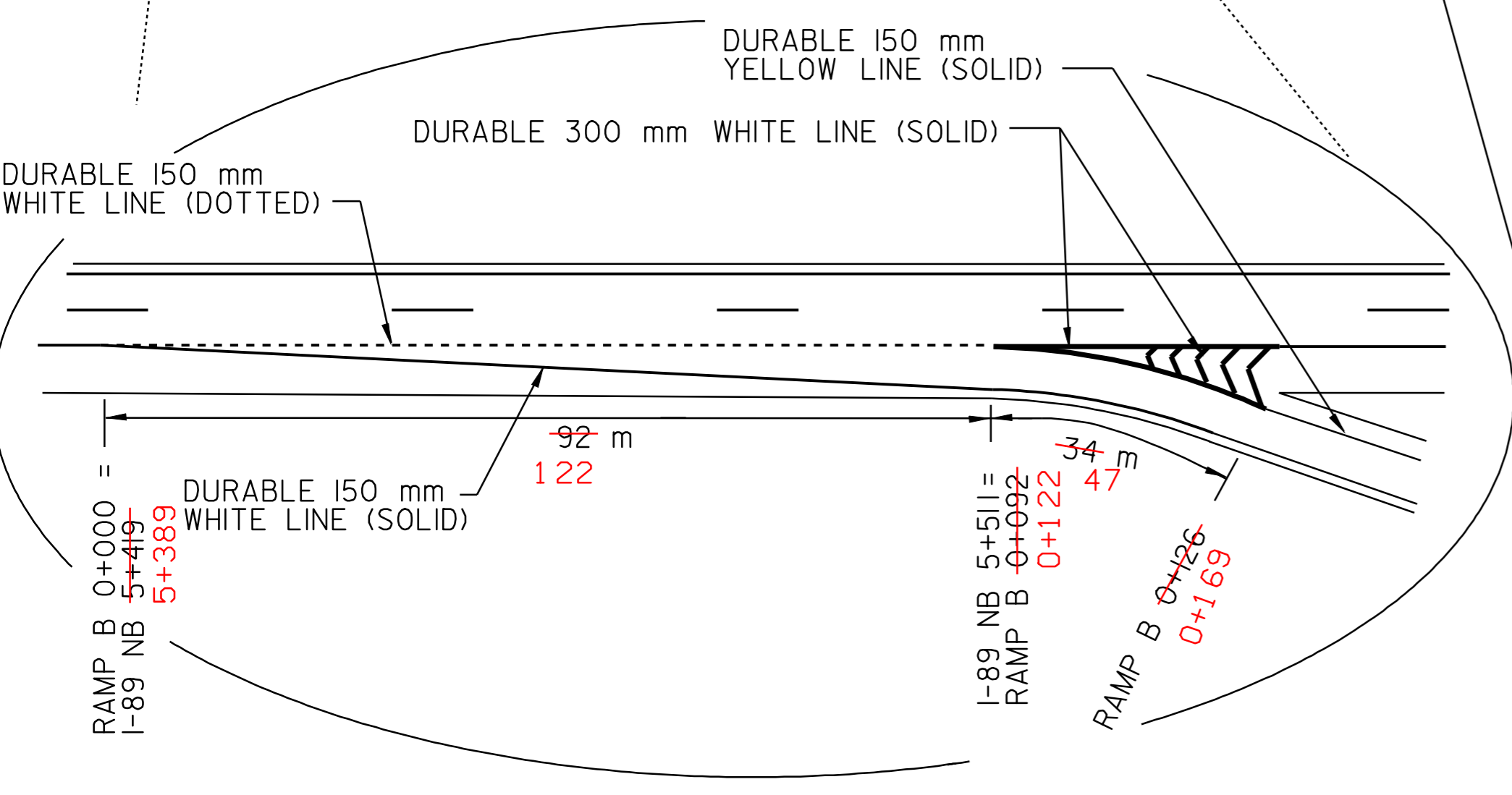
**REMOVING SIGNS**  
 QUECHEE INTERCHANGE  
 AS SHOWN = 12



**QUECHEE INTERCHANGE  
 I-89- RAMP A  
 NORTHBOUND ON RAMP**



**QUECHEE INTERCHANGE  
 I-89- RAMP B  
 NORTHBOUND OFF RAMP**



**DOTTED WHITE LINE DETAILS**  
 TO BE INSTALLED AS INDICATED IN THE PROJECT PLANS OR AS DIRECTED BY THE RESIDENT ENGINEER.

<b>RAMP DETAIL #4</b>	PROJECT:	HARTFORD - SHARON	PROJECT NO.:	AC IM 089-(51)
	DESIGN FILE NAME:	/pave/01a028/p01a028.dgn	PLOT DATE:	31-JAN-2006 13:
	IPARM FILE NAME:	p01a028in+4.i	SURVEY DATE:	9/01
	SURVEYED BY:	CLD_ENGINEERS_INC.	DRAWN BY:	MPS
	SQUAD LEADER:	WRH	SHEET:	15 OF 21

REFER TO STANDARDS E-191 AND E-192 FOR ADDITIONAL DETAILS  
 NOTE: ALL DIMENSIONS IN METERS EXCEPT AS INDICATED. DETAILS NOT TO SCALE