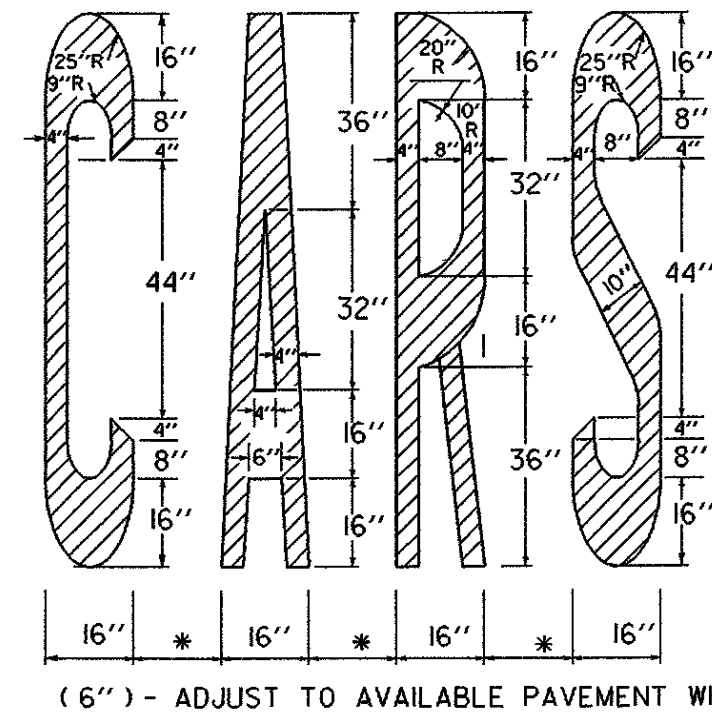
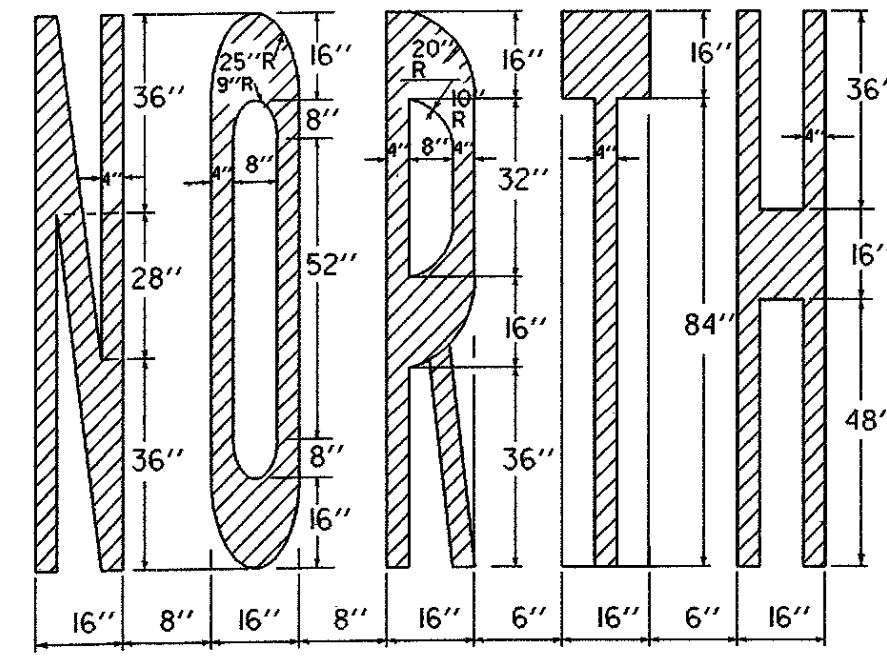


INTERSTATE TYPICAL PAVEMENT MARKINGS

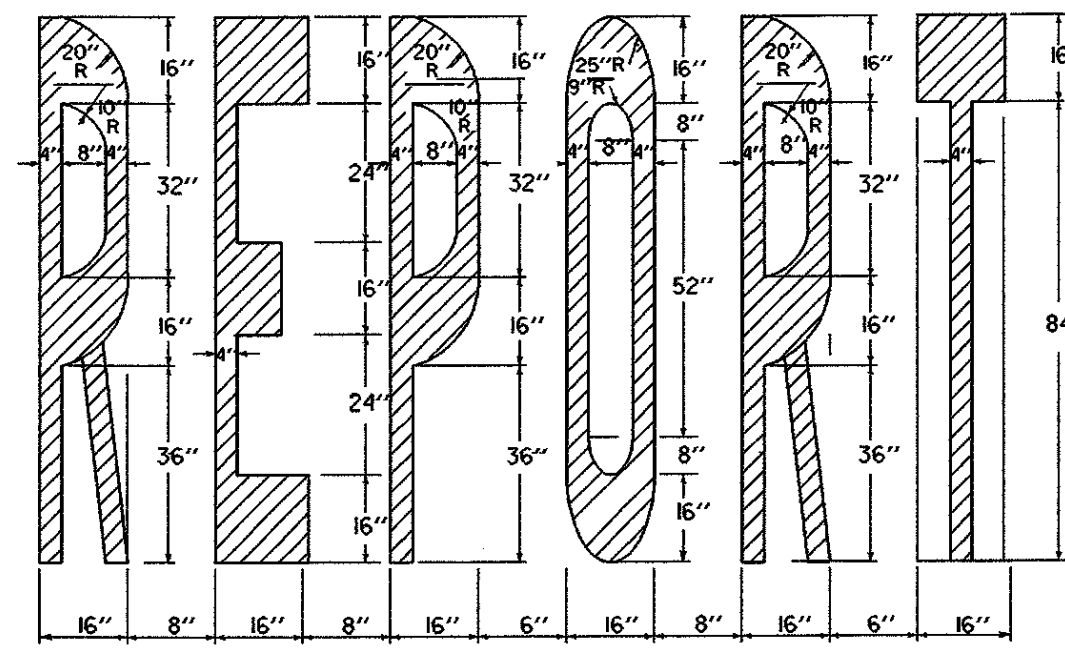
PAVEMENT MARKING DETAILS BORDER CROSSING I-189 @ US 7



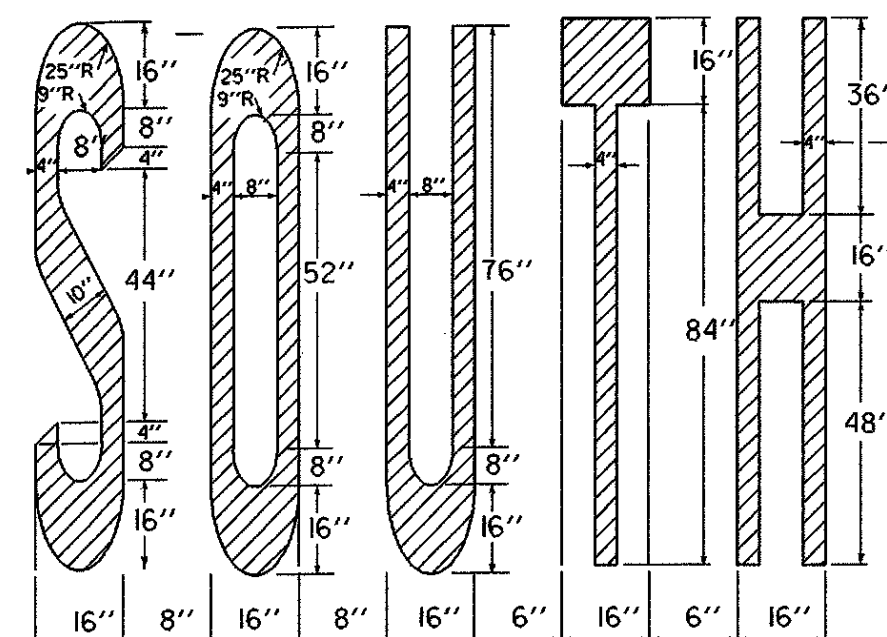
(6") - ADJUST TO AVAILABLE PAVEMENT WIDTH



ADJUST TO AVAILABLE PAVEMENT WIDTH

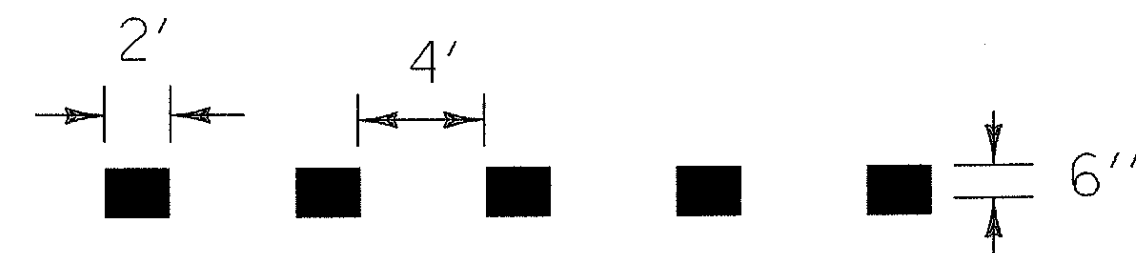


ADJUST TO AVAILABLE PAVEMENT WIDTH



ADJUST TO AVAILABLE PAVEMENT WIDTH

PAVEMENT MARKING LINE DETAILS



DOTTED LINE (WHITE)

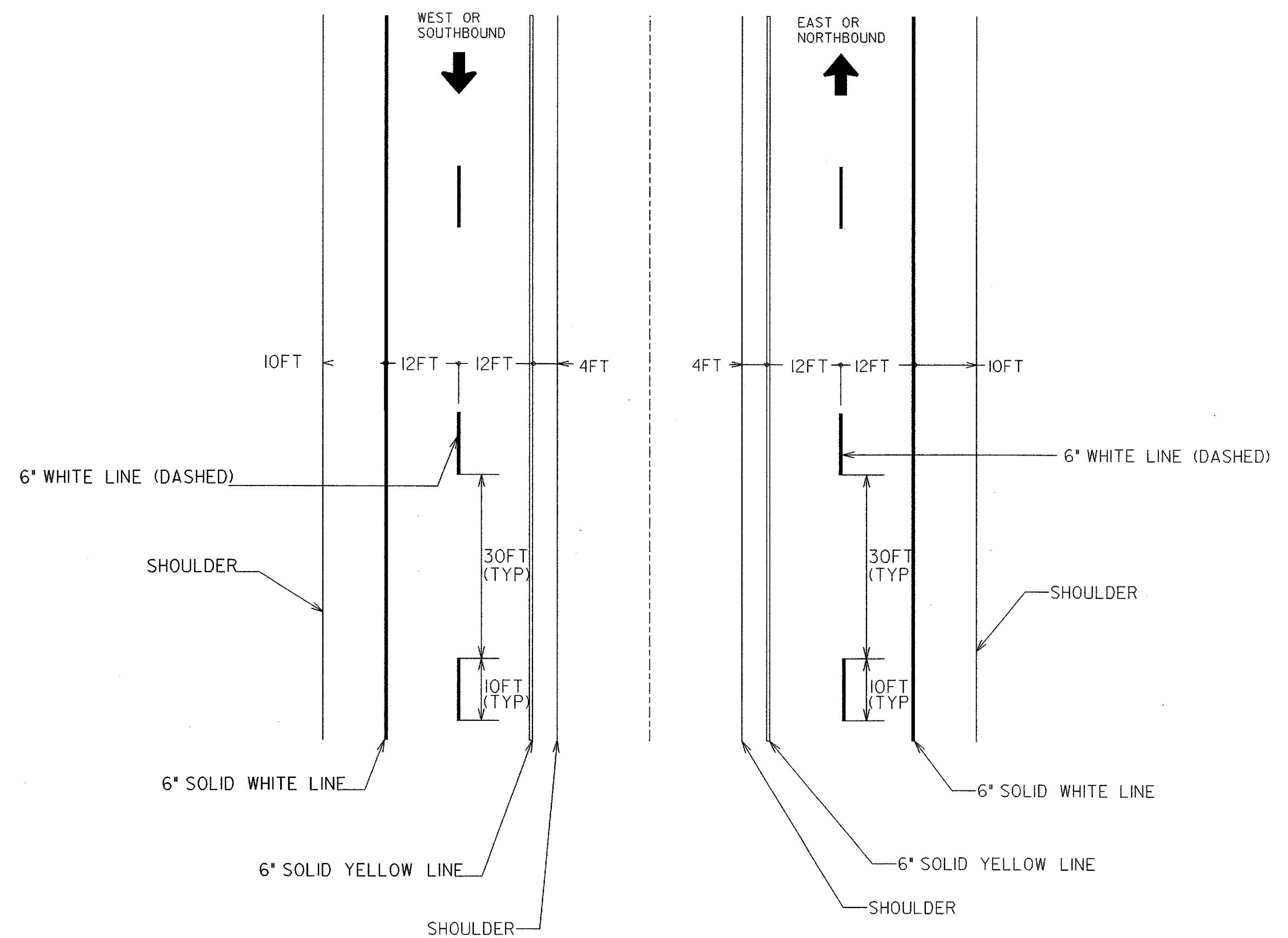


SOLID LINE (WHITE OR YELLOW)



CHANNELIZING LINE (WHITE)

TYPICAL MAINLINE MARKING PLAN



LEGEND

- 6" WHITE LINES
- 6" YELLOW LINES

- 12" CHANNELIZATION LINES
- DIRECTION OF TRAFFIC FLOW

NOT TO SCALE

pave/misc/mark003.i

pave/99k318/mark100.dgn

PROJECT STATEWIDE INTERSTATE PAVEMENT MARKING CONTRACT - IMG MARK (99)

SHEET 3 OF 12 SHEETS