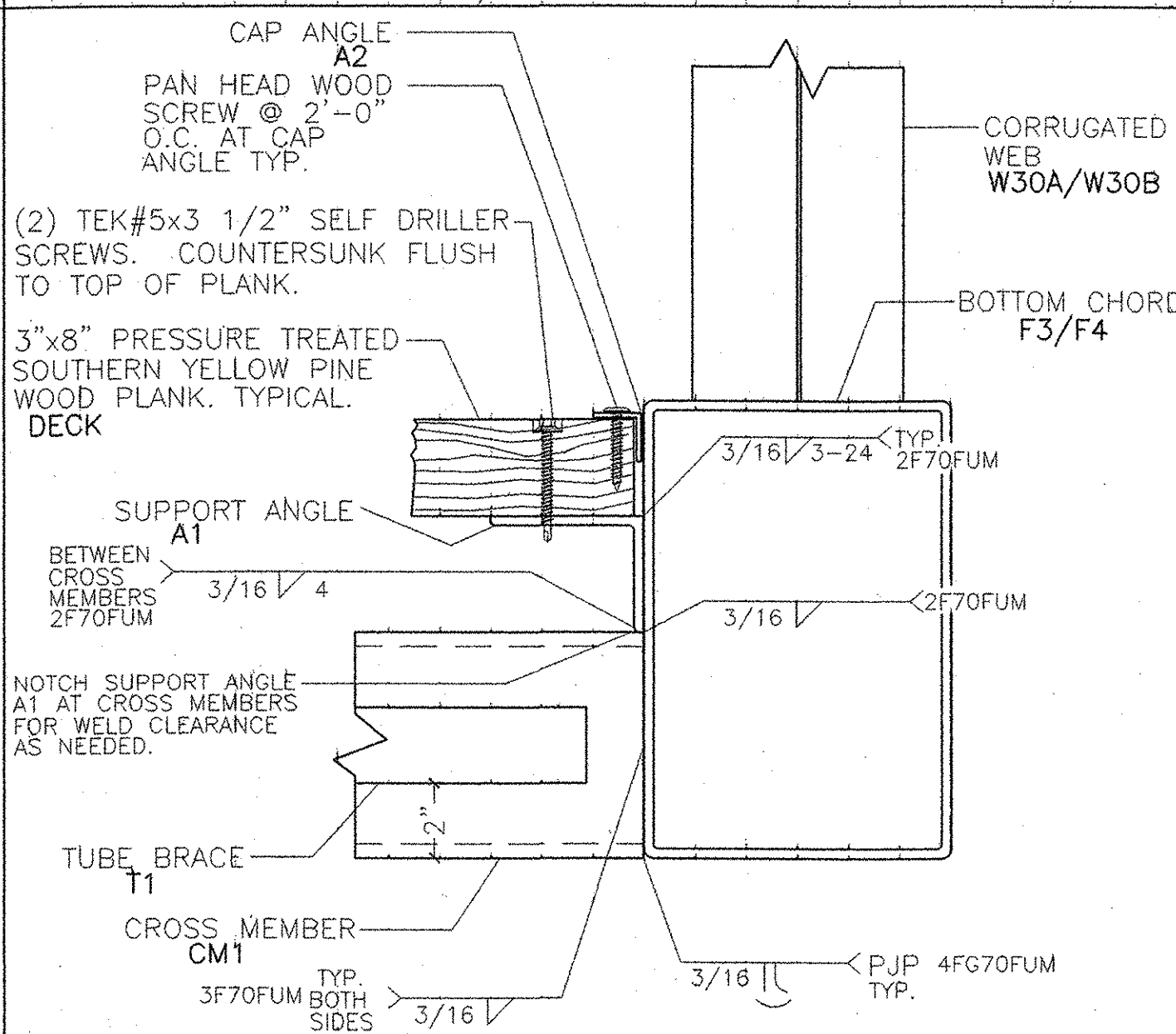
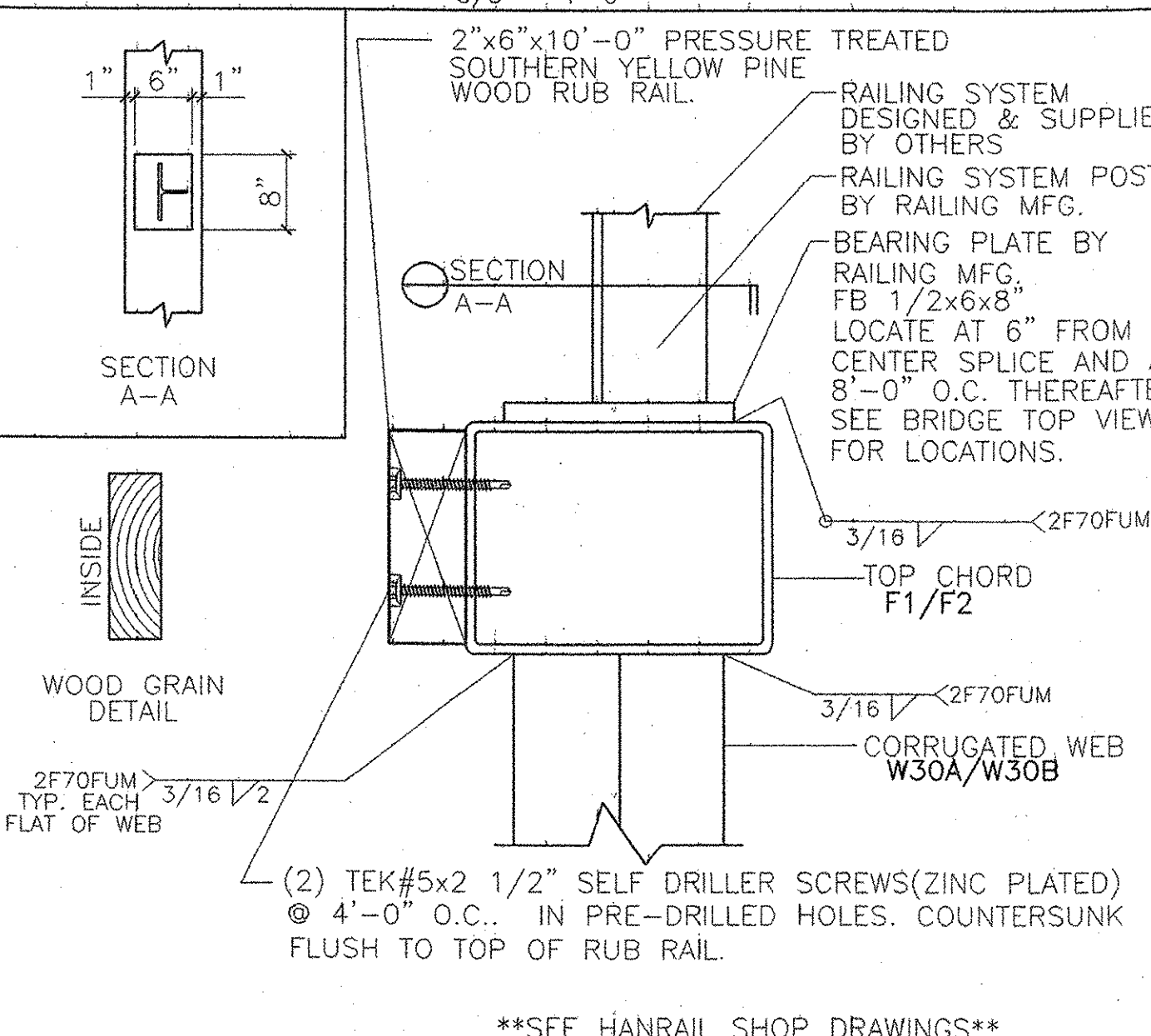
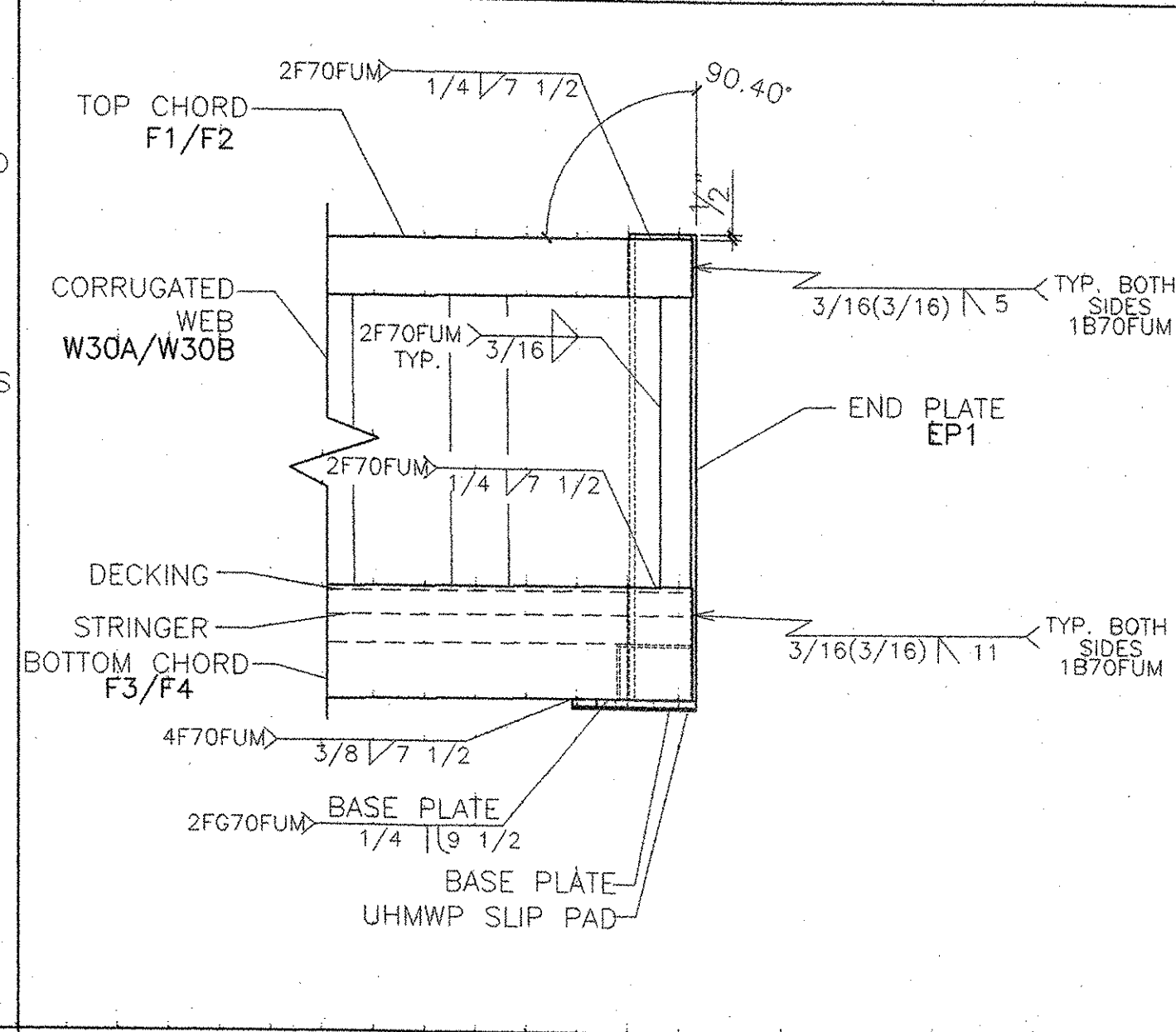
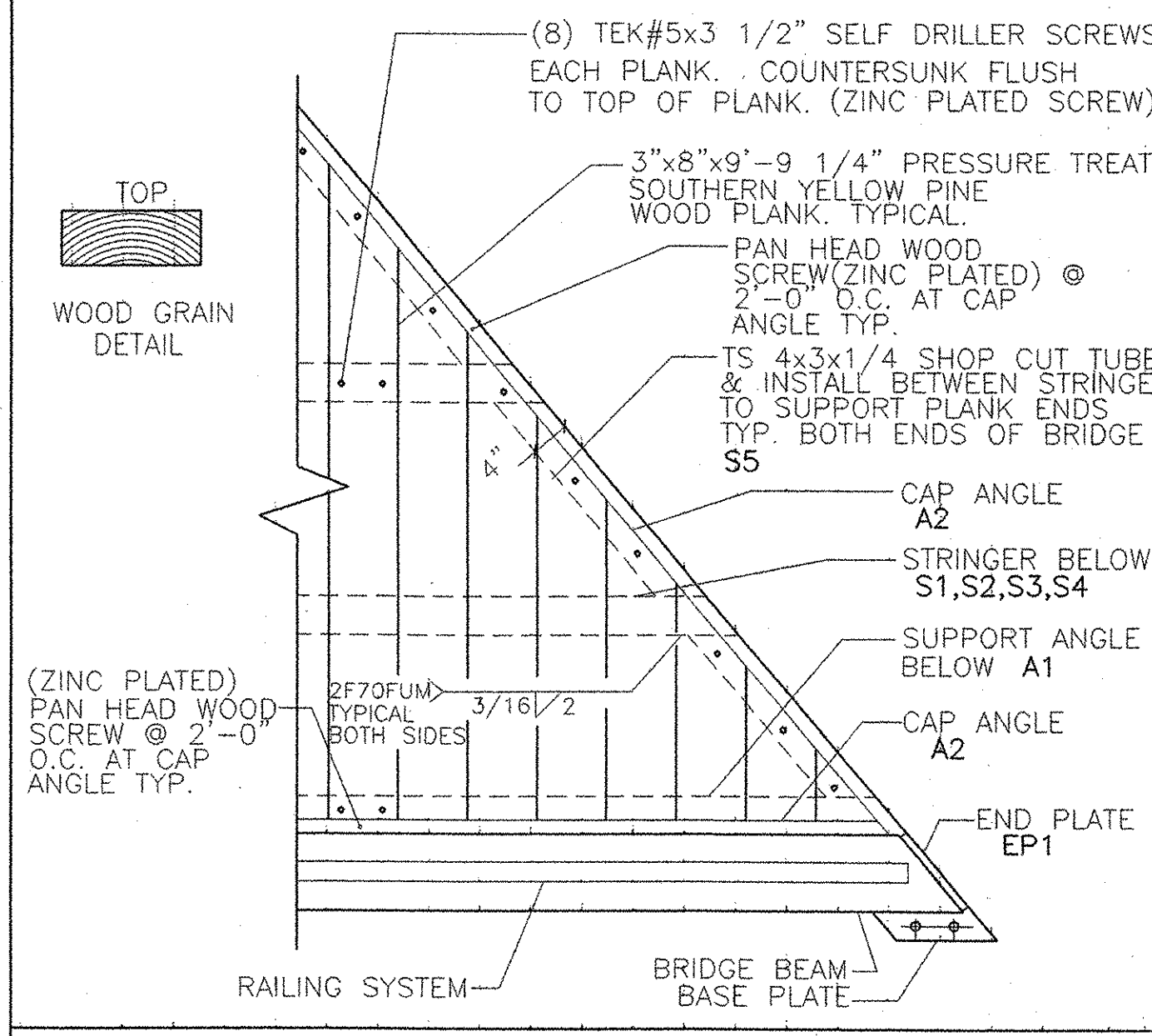


**3**  
**B3**  
**ENLARGED VIEW**  
3/4" = 1'-0"

**4**  
**B3**  
**ENLARGED VIEW**  
3/4" = 1'-0"

**5**  
**B3**  
**ENLARGED VIEW**  
3/8" = 1'-0"

**6**  
**B3**  
**ENLARGED VIEW**  
3/8" = 1'-0"

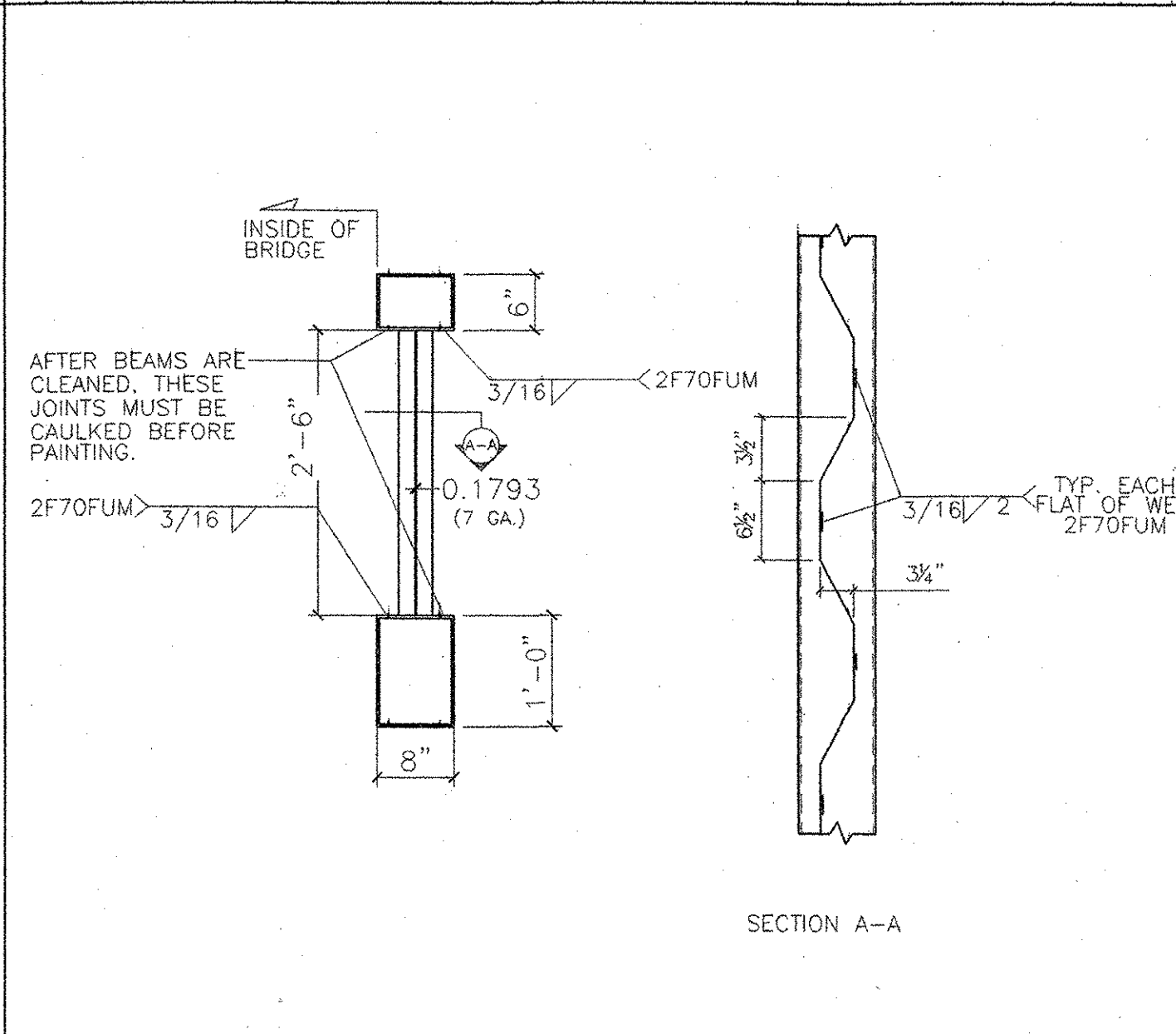
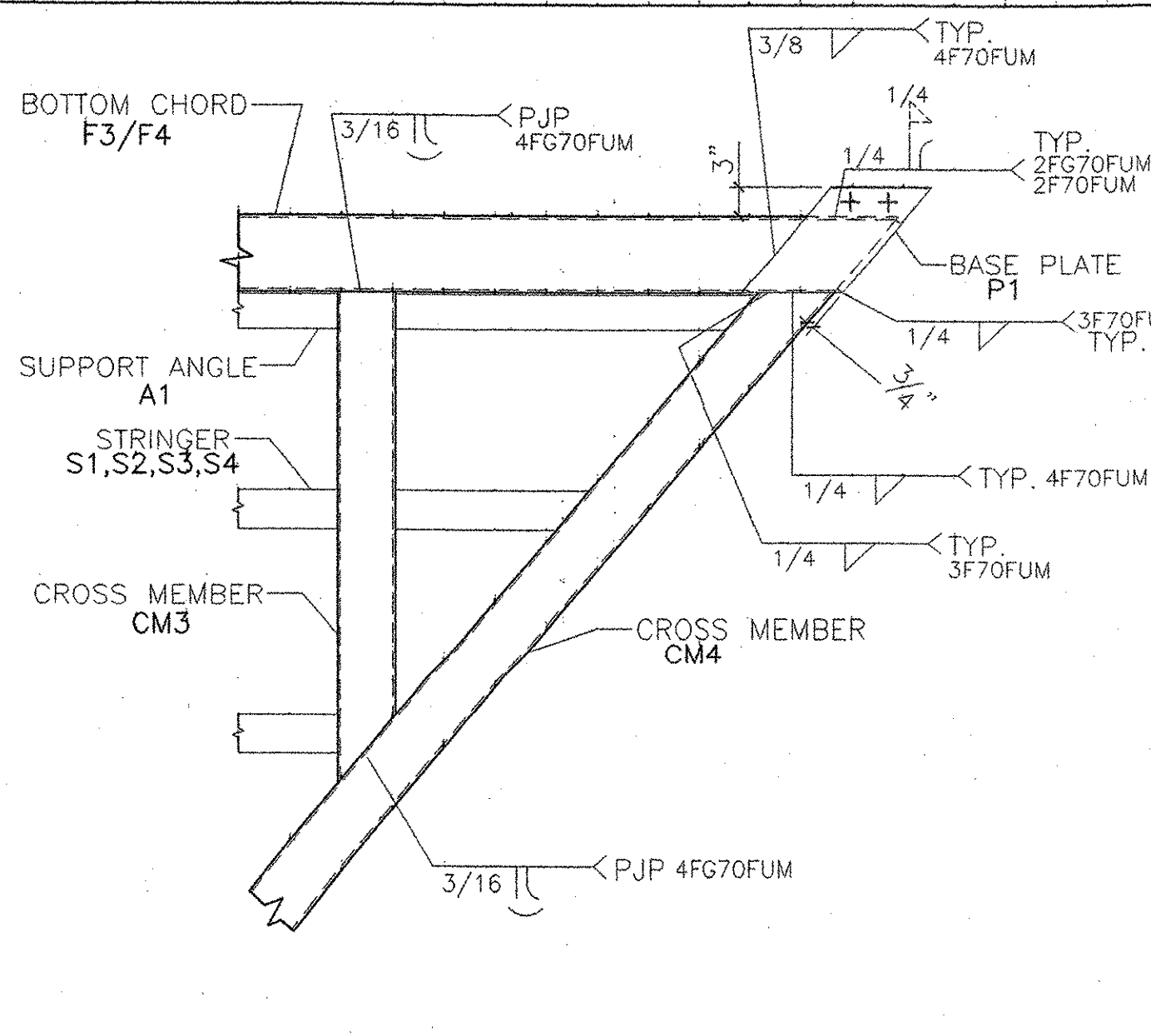
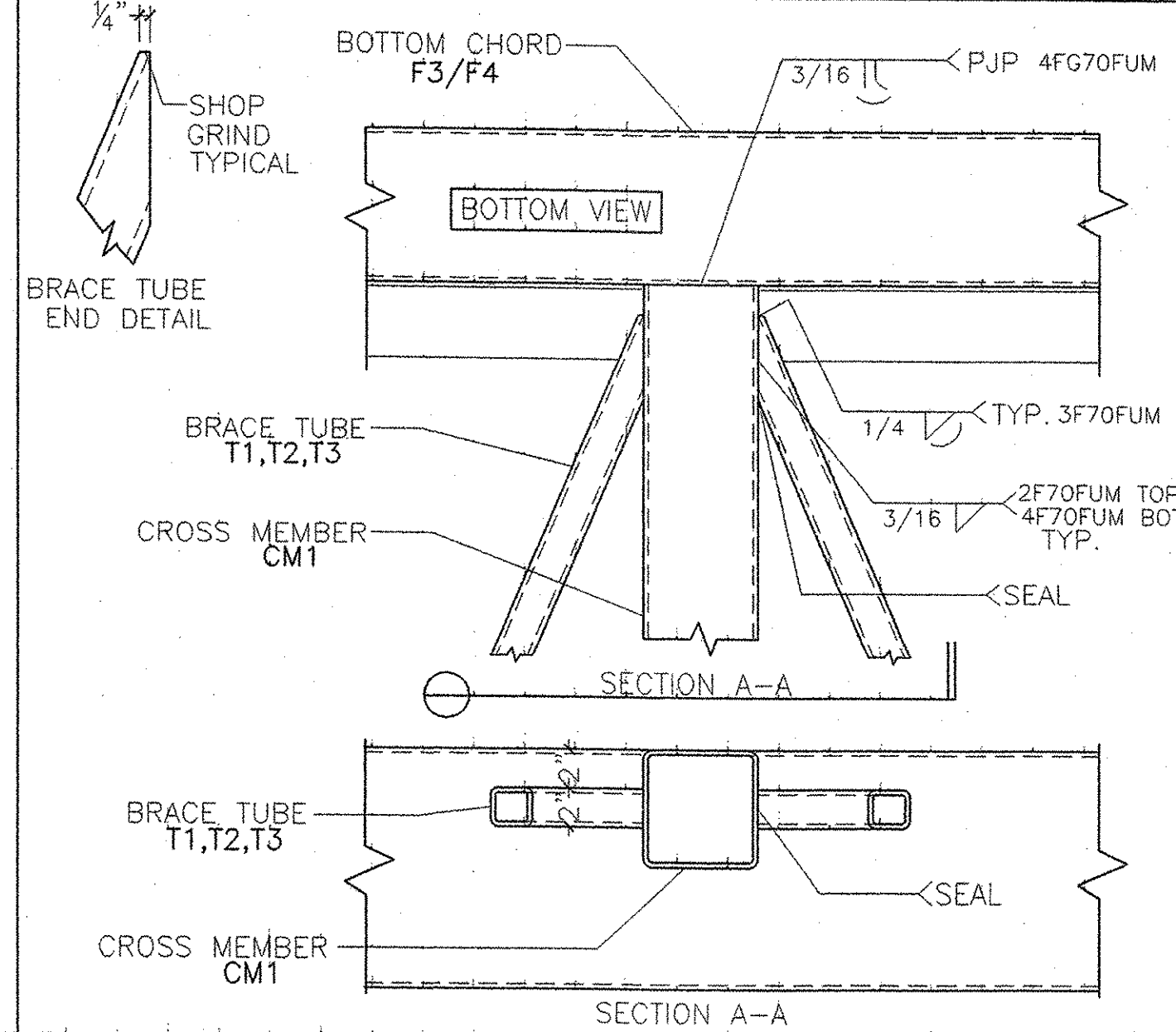
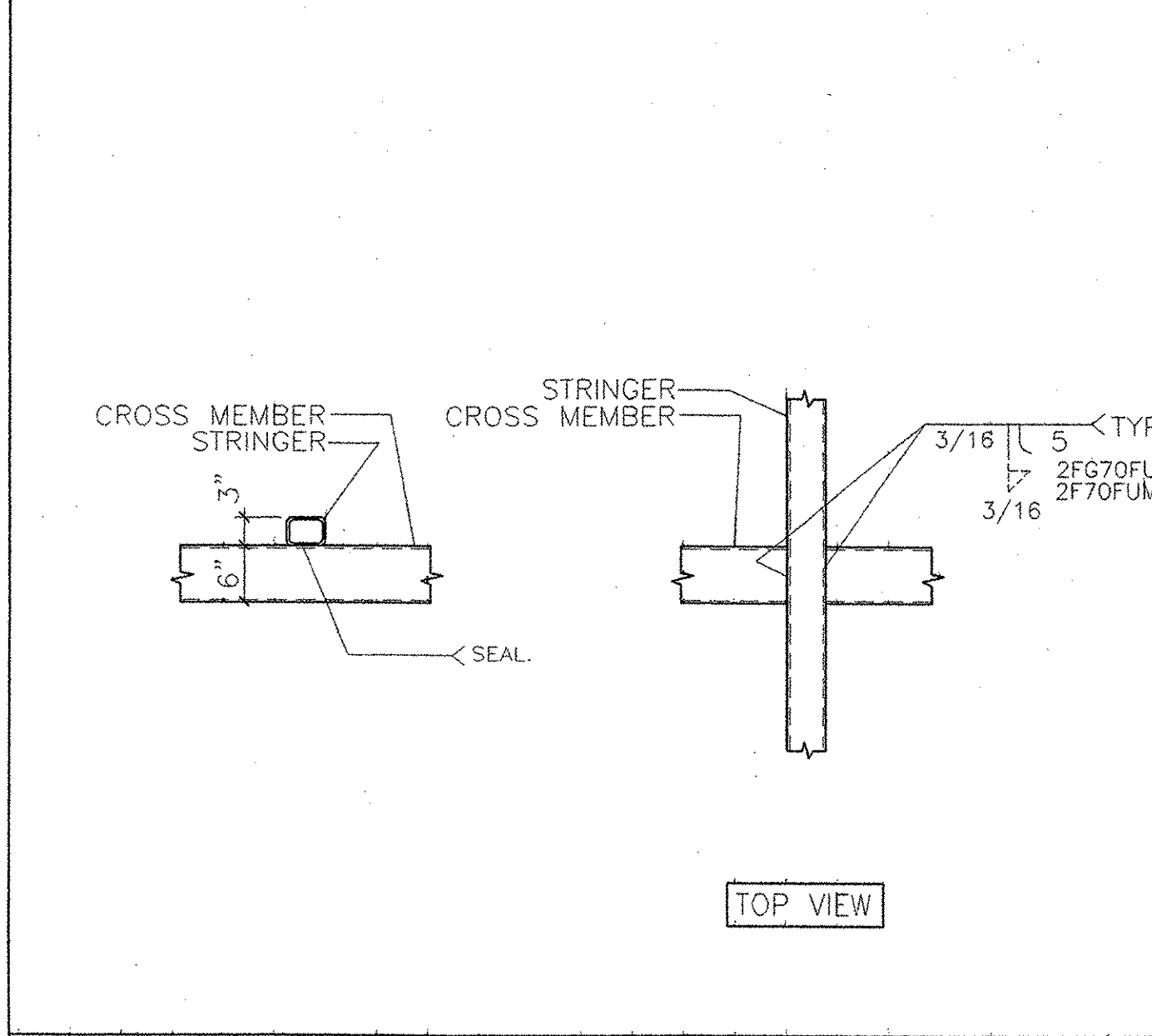


**7**  
**B3**  
**ENLARGED VIEW**  
3/4" = 1'-0"

**8**  
**B3**  
**ENLARGED VIEW**  
3/4" = 1'-0"

**9**  
**B3**  
**ENLARGED VIEW**  
3" = 1'-0"

**10**  
**B3**  
**ENLARGED VIEW**  
3" = 1'-0"

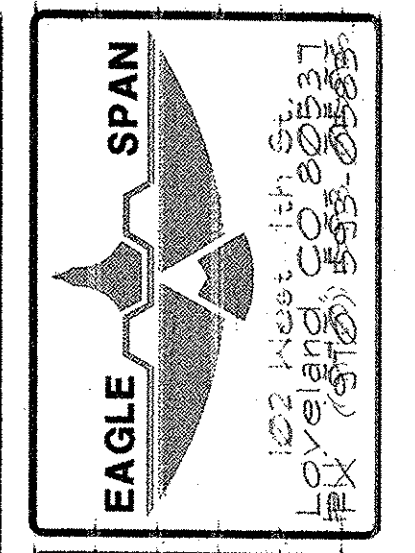


**11**  
**B3**  
**ENLARGED VIEW**  
3/4" = 1'-0"

**12**  
**B3**  
**ENLARGED VIEW**  
1 1/2" = 1'-0"

**13**  
**B3**  
**ENLARGED VIEW**  
3/4" = 1'-0"

**14**  
**B3**  
**EAGLE BEAM SECTION**  
3/4" = 1'-0"



**WHITCOMB CONSTR.**  
WHETSTONE BROOK PATH  
PEDESTRIAN BRIDGE  
103 West 14th St.  
New York, NY 10011  
Tel: (212) 512-5555

DATE	REV	REVISIONS
1/8/04	0	FOR OWNER APPROVAL
1/27/04	1	CUSTOMER CHANGES
9/23/04	2	RE-SUBMITTAL
10/12/04	3	RE-SUBMITTAL
2/17/05	4	AS MANUFACTURED

**BIG R**  
MANUFACTURING, LLC  
PO BOX 1280  
GREELEY, COLORADO  
PR: (970) 356 9600  
FX: (970) 359 7841

DRAWN:	MDS
DATE:	1/1/04
CHECKED:	SFP
DATE:	1/8/04
APPROVED:	SFP

REV. 5

PROJECT NO.  
24-775E

SHEET NO.  
E3

