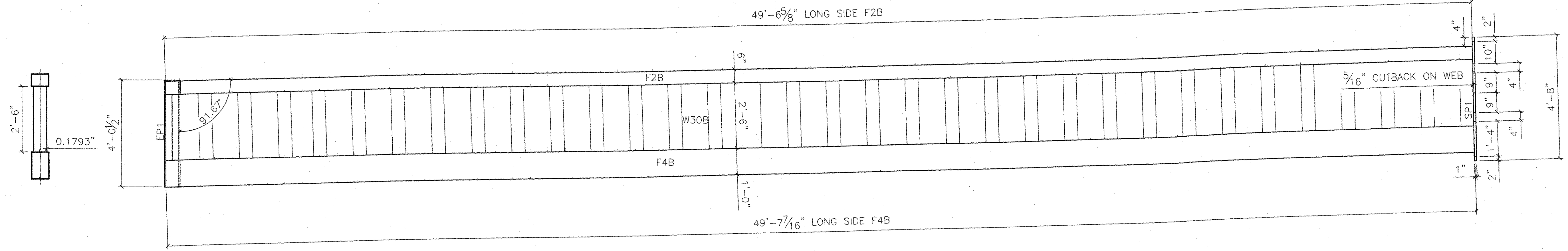


TOP VIEW

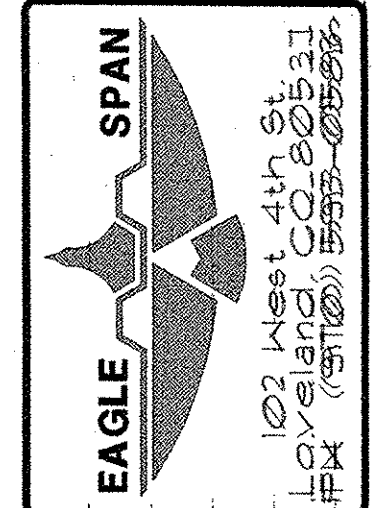


(1) BRIDGE BEAM BM2B

MK	QTY	DESCRIPTION	MK	QTY	DESCRIPTION	MK	QTY	DESCRIPTION	MK	QTY	DESCRIPTION
F2B	1	TS 8 X 6 X 3/8									
F4B	1	TS 12 X 8 X 1/4									
SP1	1	FB 1 X 8									
EP1	1	FB 3/4 X 10									
W30B	1	CORRUGATED WEB 7GA. X 30"									

D3

REV. DATE DESCRIPTION



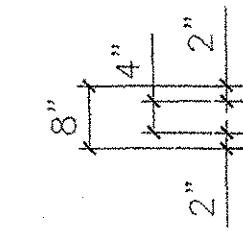
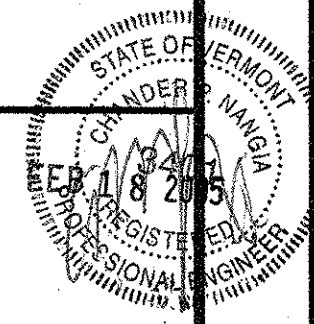
WHITCOMB CONSTR.
WHETSTONE BROOK PATH
PEDESTRIAN BRIDGE
Framingham, MA

REV.	DATE	DESCRIPTION
0	1/8/04	FOR OWNER APPROVAL
1	1/21/04	CUSTOMER CHANGES
2	9/3/04	RE-SUBMITTAL
3	10/12/04	RE-SUBMITTAL
4	1/17/05	AS MANUFACTURED

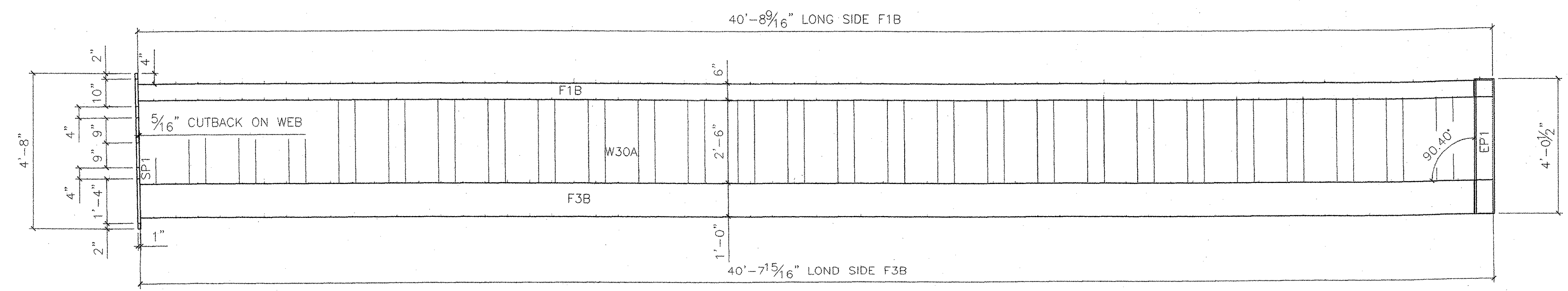
BIG R
MANUFACTURING, LLC
PO BOX 1290
GREELEY, COLORADO
PH: (970) 356 9600
FX: (970) 356 9621

DRAWN:	MDS
DATE:	1/7/04
CHECKED:	SFP
DATE:	1/8/04
APPROVED:	SFP

REV.	5
PROJECT NO.	24-7152
SHEET NO.	B5.1



TOP VIEW



(1) BRIDGE BEAM BM1B

MK	QTY	DESCRIPTION	MK	QTY	DESCRIPTION	MK	QTY	DESCRIPTION	MK	QTY	DESCRIPTION
F1B	1	TS 8 X 6 X 3/8									
F3B	1	TS 12 X 8 X 1/4									
SP1	1	FB 1 X 8									
EP1	1	FB 3/4 X 10									
W30A	1	CORRUGATED WEB 7GA. X 30"									

D4

REV. DATE DESCRIPTION