

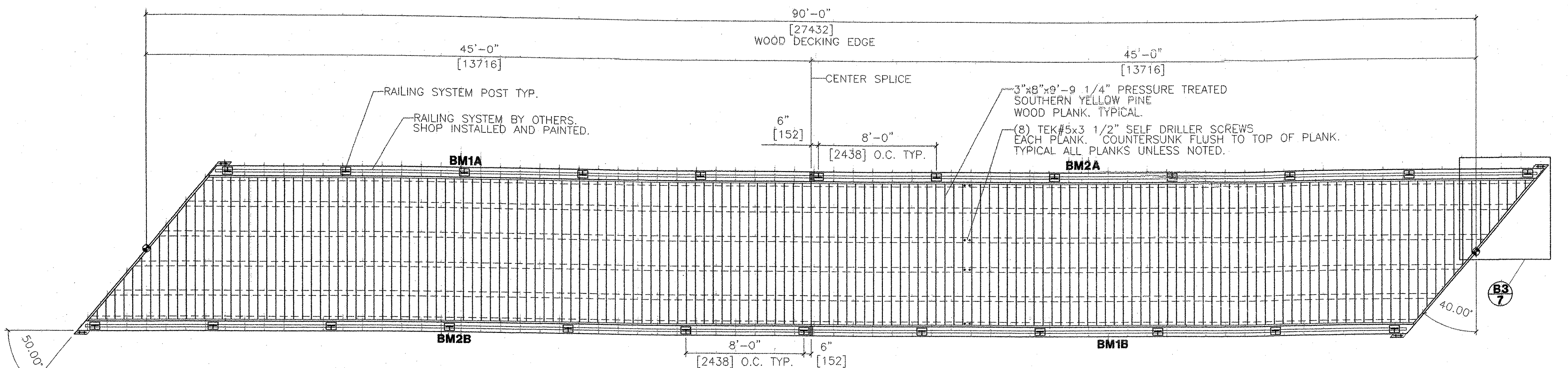
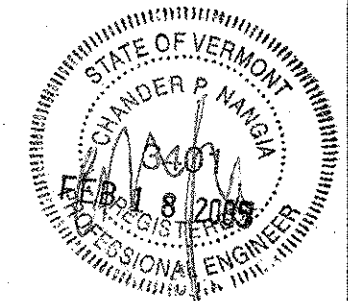
WHITCOMB CONSTR.
 WHESTONE BROOK PATH
 PEDESTRIAN BRIDGE
 BATHING BRIDGE, VT

REV.	DATE	DESCRIPTION
0	1/8/04	FOR OWNER APPROVAL
1	7/21/04	CUSTOMER CHANGES
2	9/3/04	RE-SUBMITTAL
3	10/12/04	RE-SUBMITTAL
B	12/1/05	AS MANUFACTURED

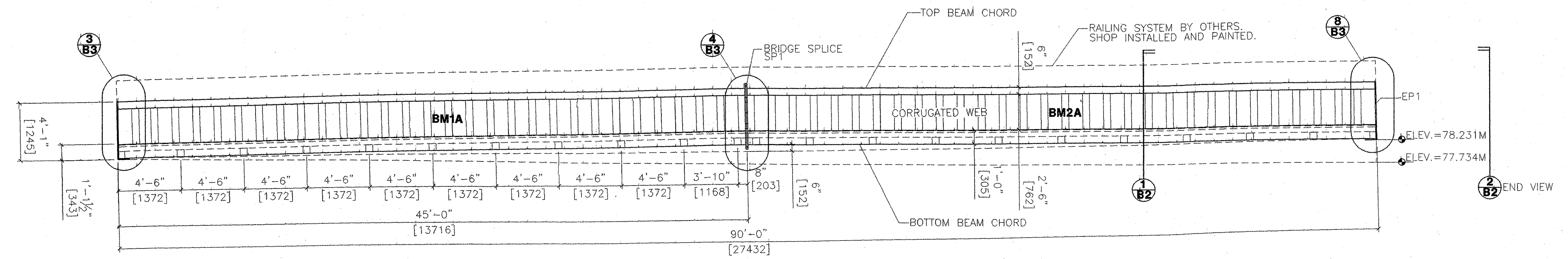
BIG R
 MANUFACTURING, LLC
 PO BOX 1290
 GREELEY, COLORADO
 (970) 358-9820
 FAX (970) 358-9821

DRAWN: MD6
 DATE: 7/1/04
 CHECKED: SFP
 DATE: 7/8/04
 APPROVED: SFP

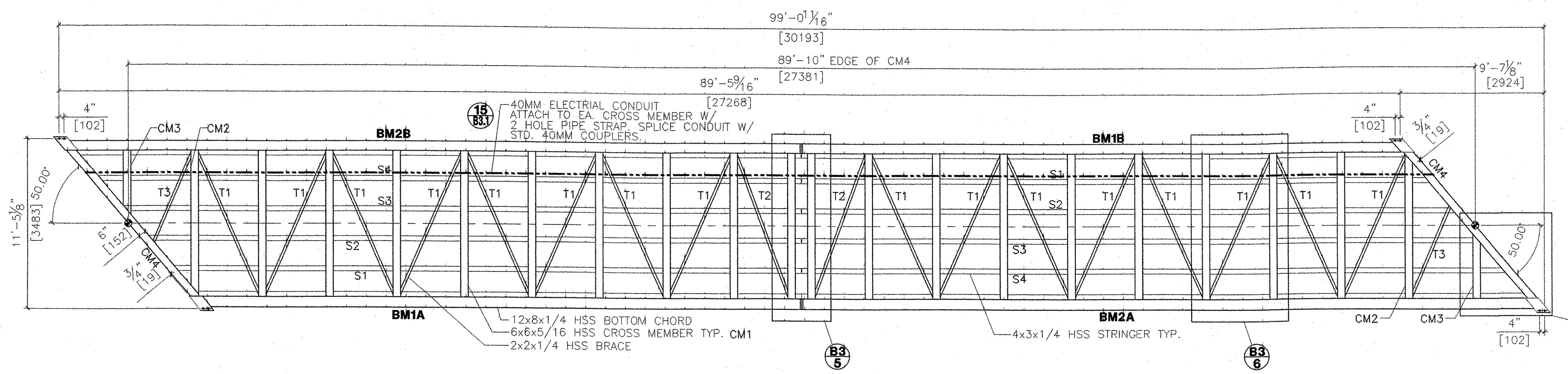
REV. 5
 PROJECT NO. 24-115E
 SHEET NO. B1



BRIDGE TOP VIEW
 SCALE: 1/4" = 1'-0"



BRIDGE SIDE VIEW
 SKEW NOT SHOWN FOR CLARITY
 SCALE: 1/4" = 1'-0"



BRIDGE BOTTOM VIEW
 SCALE: 1/4" = 1'-0"

THIS DRAWING IS THE SOLE PROPERTY OF EAGLESPAN STEEL STRUCTURES. IT IS TO BE USED FOR PURPOSES AUTHORIZED AND SHALL NOT BE PRINTED, LOANED, REPRODUCED, COPIED, OR USED WITHOUT THE WRITTEN PERMISSION OF EAGLESPAN STEEL STRUCTURES. ALL RIGHTS RESERVED.