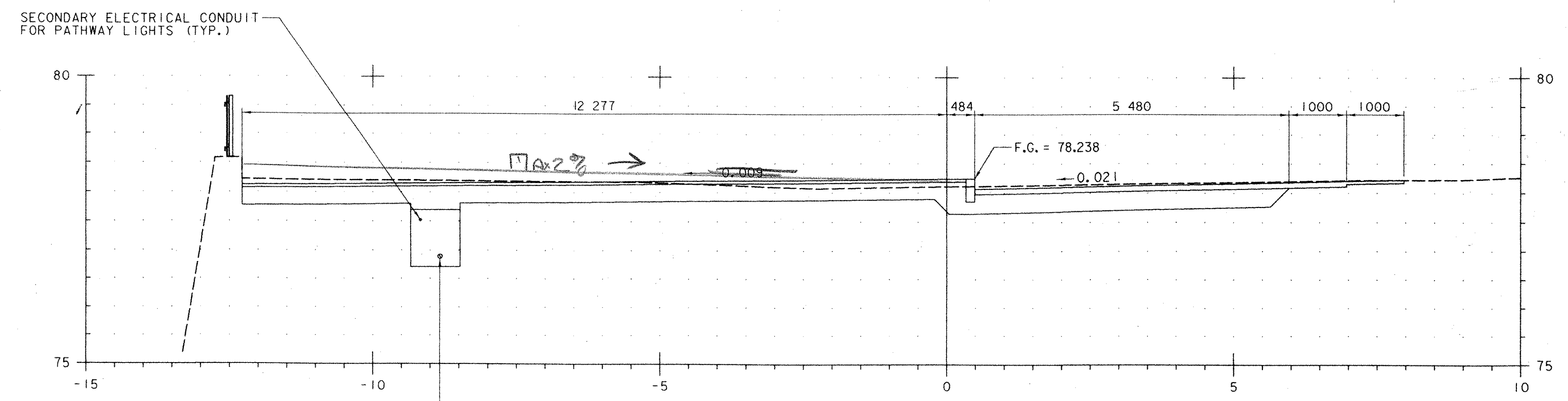


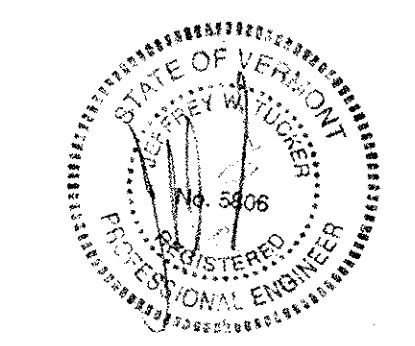
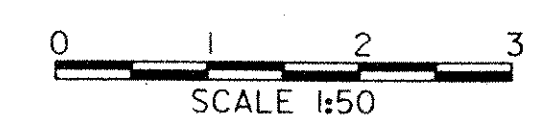
I+110



I+100

NOTE:
STATIONS ARE GIVEN IN KILOMETERS, OFFSETS ARE GIVEN IN METERS AND DIMENSIONS ARE GIVEN IN MILLIMETERS.

DATUM	
VERTICAL	NVD 88
HORIZONTAL	NAD 83



PLOTTED: 03/11/2004

DuBois & King Inc.
 engineering planning management development

TOWN OF BRATTLEBORO
 BRATTLEBORO, VERMONT
 WHETSTONE BROOK PATHWAY PROJECT
 STP BIKE (27) S
 PATHWAY CROSS SECTIONS

DRAWN BY	DATE
SJB	FEB. 2004
CHECKED BY	PROJ. NO.
JST	RI6544
PROJ. ENG.	DRAW. NO.
JSA	11456
SHEET 28 OF 30	