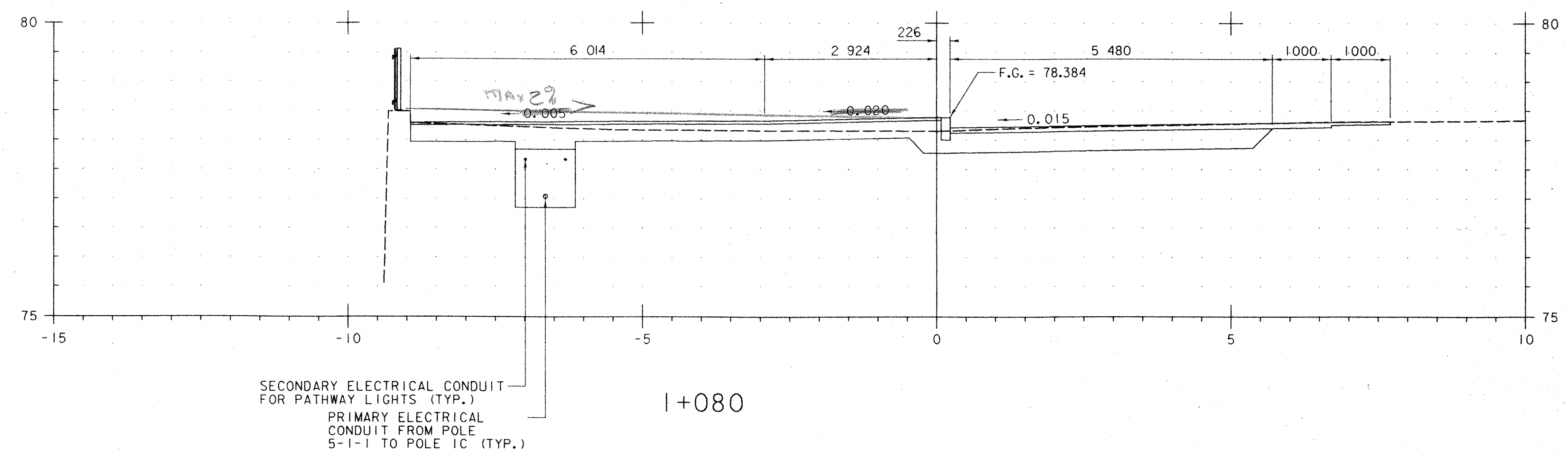
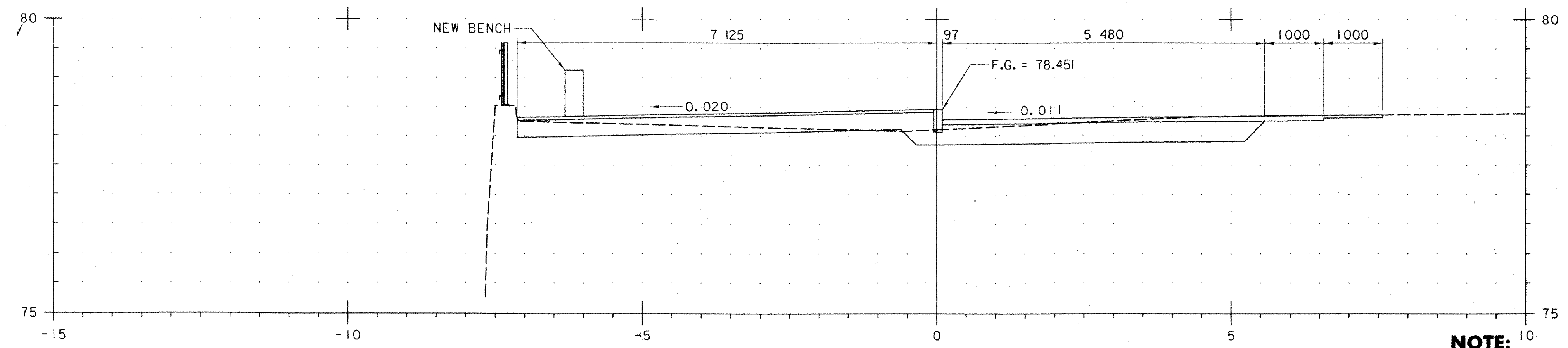


1+090



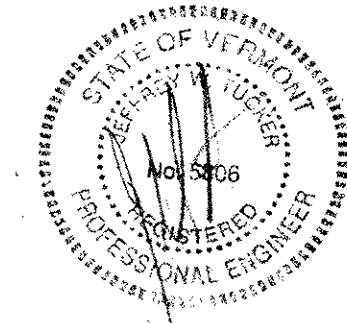
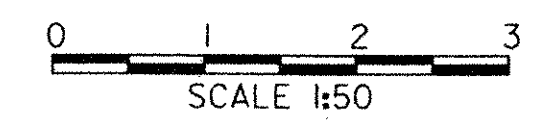
1+080



1+070

**NOTE:**  
STATIONS ARE GIVEN IN KILOMETERS, OFFSETS ARE GIVEN IN METERS AND DIMENSIONS ARE GIVEN IN MILLIMETERS.

DATUM	
VERTICAL	NVD 88
HORIZONTAL	NAD 83



**DuBois & King**  
INC.  
engineering    planning    management    development

TOWN OF BRATTLEBORO  
BRATTLEBORO, VERMONT  
WHETSTONE BROOK PATHWAY PROJECT  
STP BIKE (27) S  
PATHWAY CROSS SECTIONS

DRAWN BY	DATE
SJB	FEB. 2004
CHECKED BY	PROJ. NO.
JDA	R16544
PROJ. ENG.	DRAW. NO.
JDA	11455
SHEET 27 OF 30	

PLOTTED: 03/11/2004