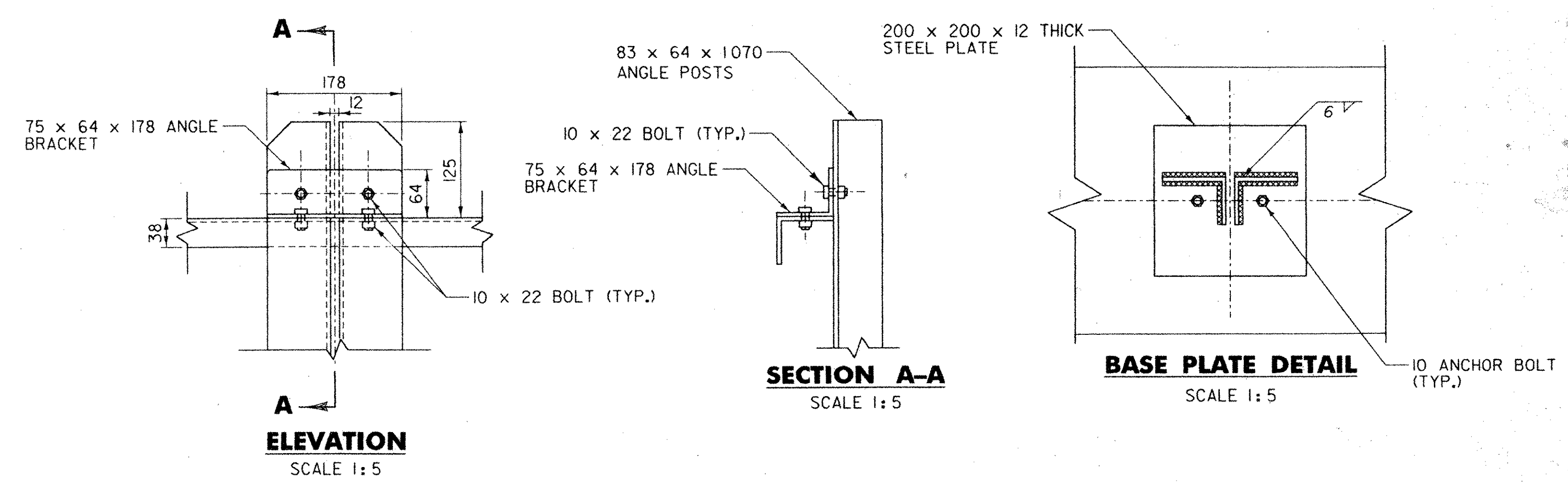
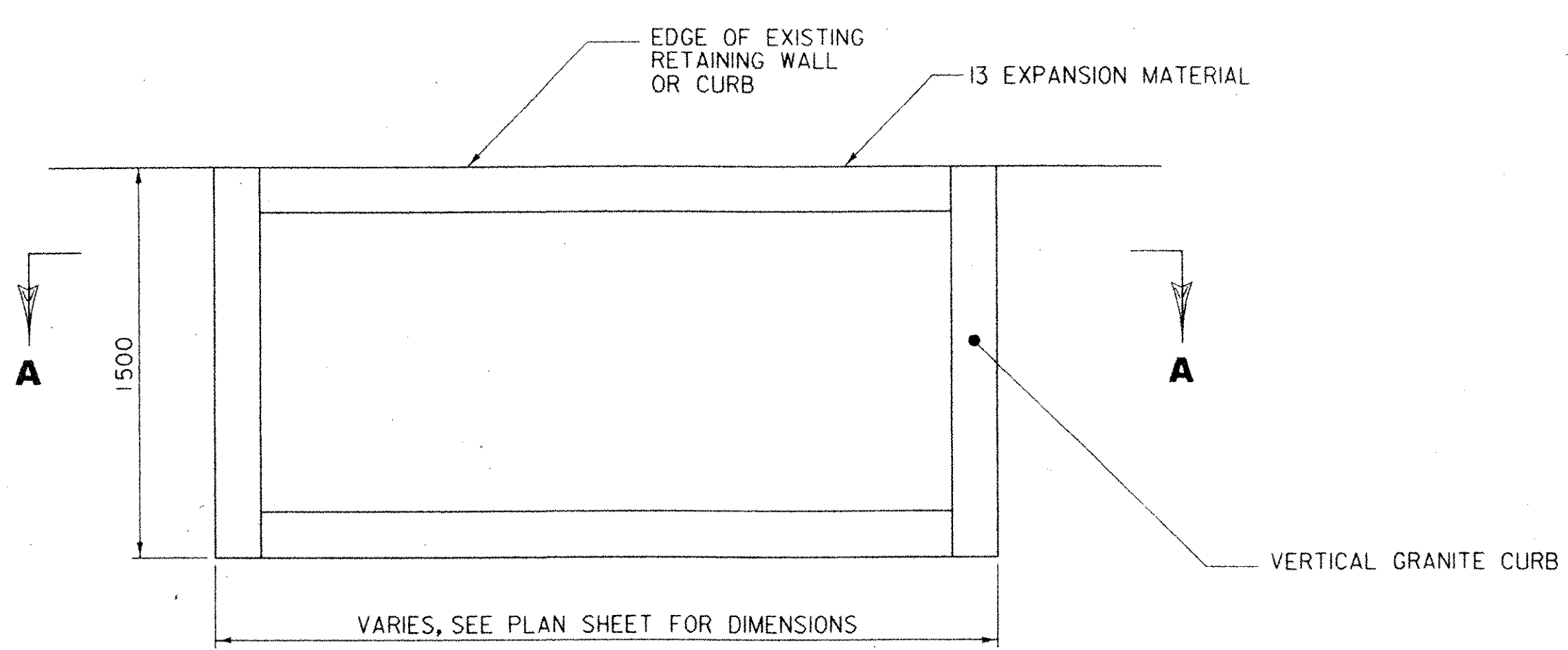


200 x 200 x 12 THICK BASE PLATE, WELDED TO THE BOTTOM OF THE FENCE POSTS AND BOLTED TO THE TOP OF THE CONCRETE WALL, OR FINISHED GRADE, WITH TWO BOLTS. SEE BASE PLATE DETAIL THIS SHEET.

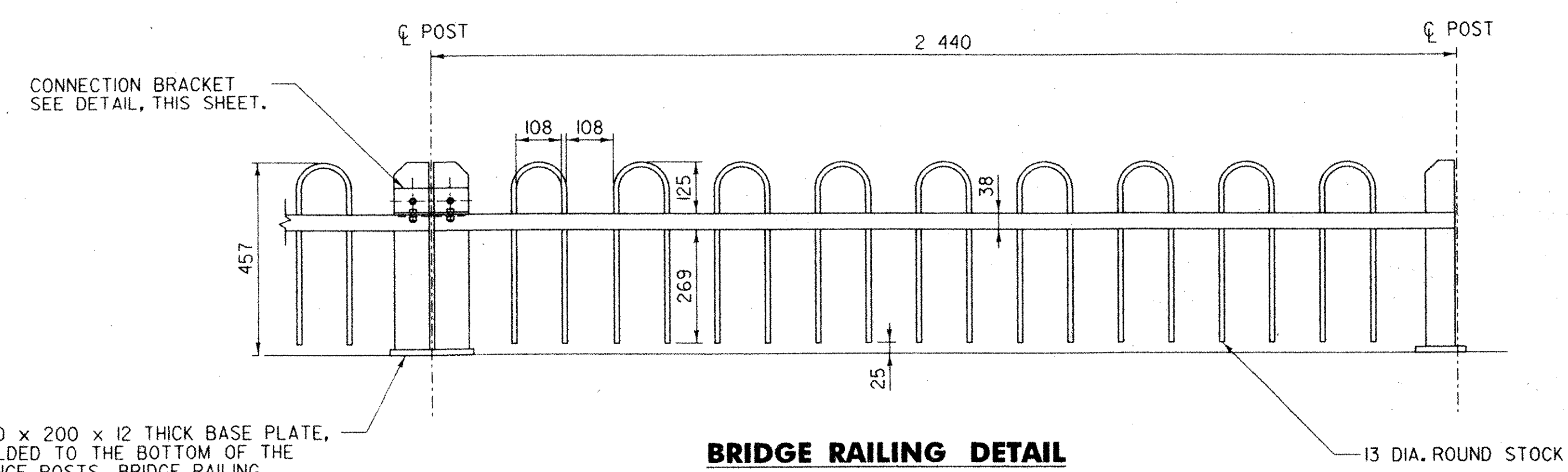
FENCE ELEVATION
SCALE 1:10



CONNECTION BRACKET DETAILS
SCALE 1:5

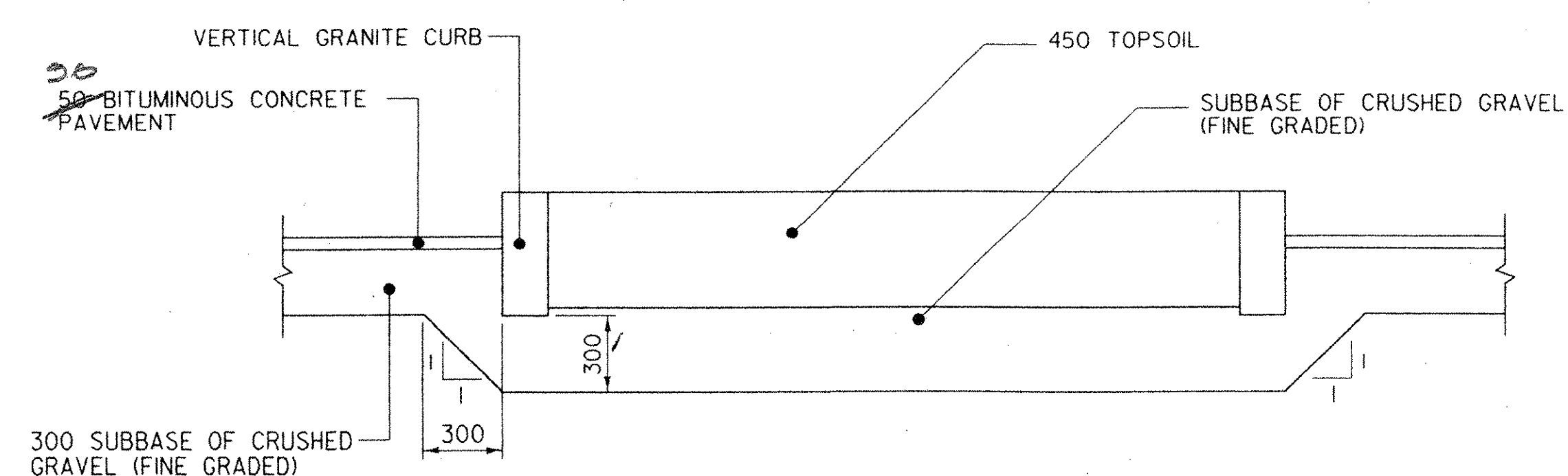


VERTICAL GRANITE CURB PLANTER
PLAN VIEW
SCALE 1:20



200 x 200 x 12 THICK BASE PLATE, WELDED TO THE BOTTOM OF THE FENCE POSTS. BRIDGE RAILING SHALL BE WELDED TO THE TOP OF BRIDGE BEAM.

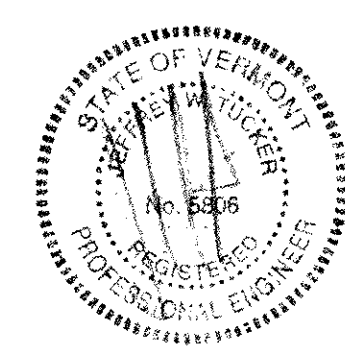
BRIDGE RAILING DETAIL
SCALE 1:10



VERTICAL GRANITE CURB PLANTER
SECTION A-A
SCALE 1:20

NOTES:

1. THE FABRICATOR SHALL BE RESPONSIBLE TO WELD THE BRIDGE RAILING TO THE TOP OF THE BRIDGE BEAM DURING THE ASSEMBLY OF THE BRIDGE. THE BRIDGE BEAM AND RAILING SHALL BE PROTECTED WITH AN APPROVED PAINTING SYSTEM FROM VTRANS QUALIFIED PRODUCTS LIST FOR PROTECTIVE COATINGS FOR NEW STEEL FOR BRIDGES. THIS WORK SHALL BE PAID FOR SUBSIDIARY TO ITEM 545.20, "PREFABRICATED MULTI-MODAL BRIDGE". THE PAINT CHIP NUMBER SHALL BE NO. 37038, BLACK.
2. ALL DIMENSIONS SHOWN ON THIS SHEET ARE IN MILLIMETERS.
3. THE CONTRACTOR SHALL BE RESPONSIBLE FOR REMOVING THE EXISTING FENCE AND ANCHORING THE BASE PLATE OF THE NEW FENCE TO THE TOP OF THE CONCRETE WALL AS SHOWN IN THE PLANS. THE FENCE SHALL BE PROTECTED WITH AN APPROVED PAINTING SYSTEM FROM VTRANS QUALIFIED PRODUCTS LIST FOR PROTECTIVE COATINGS. THE PAINT CHIP NUMBER SHALL BE NO. 37038, BLACK. THIS WORK INCLUDING THE FENCE, HARDWARE AND ALL NECESSARY WORK TO INSTALL THE FENCE SHALL BE PAID FOR UNDER ITEM 620.80, "MISCELLANEOUS FENCE (MOD. - PREFAB. STEEL RAILING)".



PLOTTED: 03/11/2004

 engineering planning management development	TOWN OF BRATTLEBORO BRATTLEBORO, VERMONT		DRAWN BY SJB	DATE FEB. 2004
	WHETSTONE BROOK PATHWAY PROJECT STP BIKE (27) S		CHECKED BY JJA	PROJ. NO. R16544
	DETAILS SHEET		PROJ. ENG. JDA	DRAW. NO. 11451
	SHEET 23 OF 30			