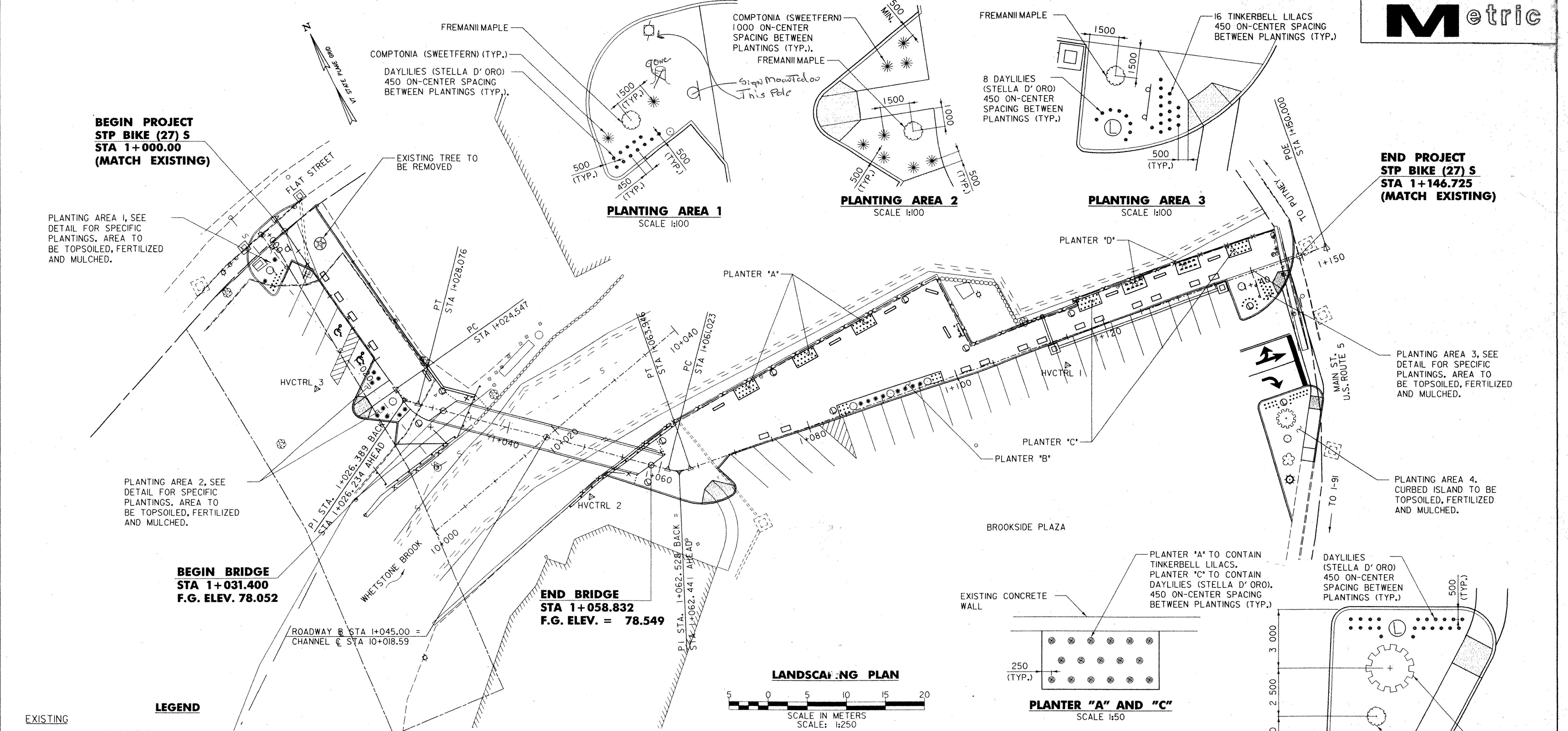


BEGIN PROJECT STP BIKE (27) S STA 1+000.00 (MATCH EXISTING)

END PROJECT STP BIKE (27) S STA 1+146.725 (MATCH EXISTING)



PLANTING AREA 1, SEE DETAIL FOR SPECIFIC PLANTINGS. AREA TO BE TOPSOILED, FERTILIZED AND MULCHED.

PLANTING AREA 2, SEE DETAIL FOR SPECIFIC PLANTINGS. AREA TO BE TOPSOILED, FERTILIZED AND MULCHED.

PLANTING AREA 3, SEE DETAIL FOR SPECIFIC PLANTINGS. AREA TO BE TOPSOILED, FERTILIZED AND MULCHED.

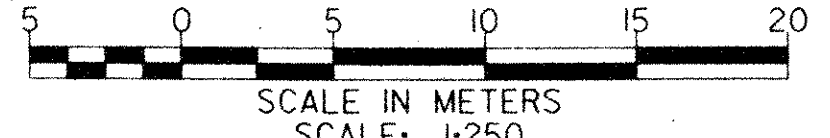
PLANTING AREA 4, CURBED ISLAND TO BE TOPSOILED, FERTILIZED AND MULCHED.

BEGIN BRIDGE STA 1+031.400 F.G. ELEV. 78.052

END BRIDGE STA 1+058.832 F.G. ELEV. = 78.549

ROADWAY B STA 1+045.00 = CHANNEL C STA 1+018.59

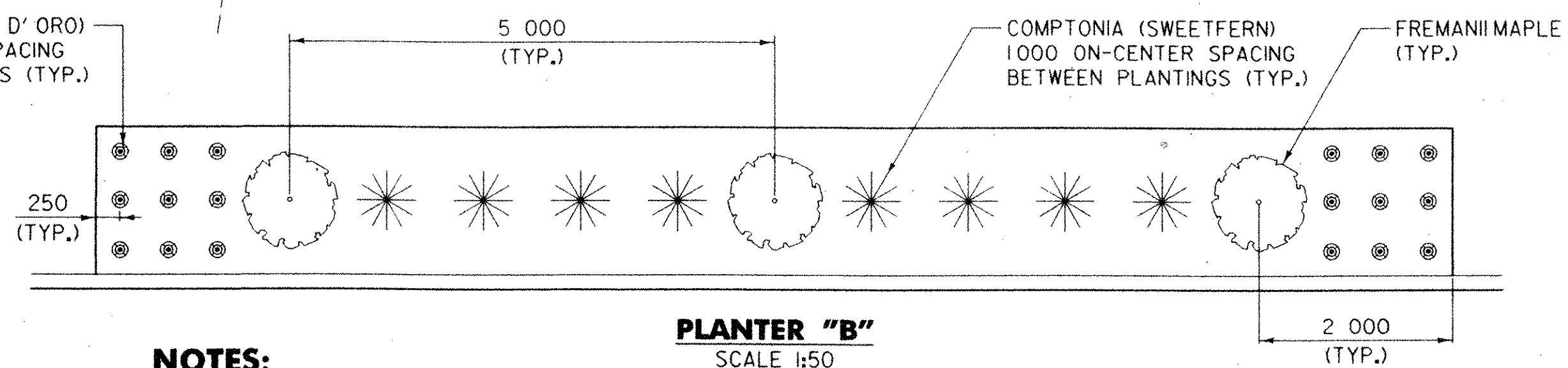
LANDSCAPING PLAN



LEGEND

- EXISTING**
- EDGE OF PAVEMENT
 - EDGE OF BROOK
 - BUILDING
 - ▲ TIE POINT
 - ✱ TREE
 - ⌂ STUMP
 - ⊕ UTILITY POLE
 - ⊙ MANHOLE
 - ⊖ SIGN
 - CULVERT
 - ⊠ CATCH BASIN
 - ROW LINE
 - STONE WALL
 - S --- SEWER LINE
 - AERIAL E&T --- AERIAL E+T
- PROPOSED**
- ⊕ SIGN
 - CULVERT
 - NEW STEEL FENCE
 - BENCH
 - ⊠ GRANITE BLOCK
 - STEEL BOLLARD
 - ⊙ PATHWAY LIGHT
 - ⊠ CATCH BASIN
 - BITUMINOUS CONCRETE SIDEWALK (MOD. - TEXTURED) / BITUMINOUS CONCRETE PAVEMENT BOUNDARY

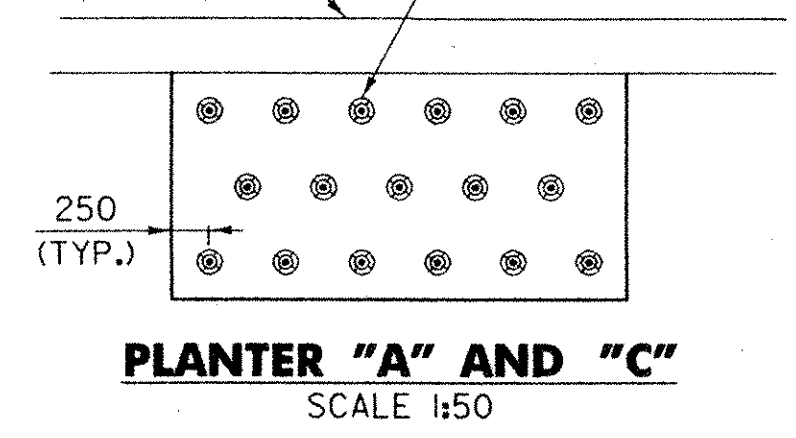
DAYLILIES (STELLA D'ORO) 450 ON-CENTER SPACING BETWEEN PLANTINGS (TYP.)



NOTES:

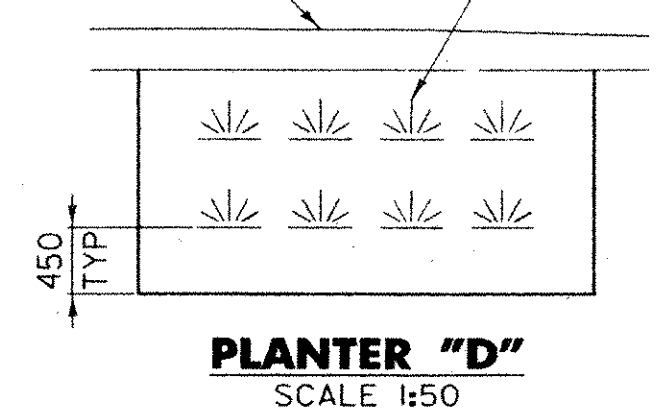
- PLANTINGS SHALL BE INSTALLED BY CONTRACTOR. ALL PLANTINGS, EXCEPT ORNAMENTAL GRASS, SHALL BE BALLED AND BURLAPPED (B&B). ALL PLANTINGS SHALL CONFORM TO SECTION 755.08 OF THE AGENCY OF TRANSPORTATION'S STANDARD SPECIFICATIONS FOR CONSTRUCTION 2001.
- IF SPECIFIED PLANTINGS ARE NOT AVAILABLE AT THE TIME OF CONSTRUCTION, THE CONTRACTOR SHALL COORDINATE ALTERNATE PLANTINGS WITH THE TOWN OF BRATTLEBORO.
- ALL PLANTERS SHALL HAVE TOPSOIL DEPTHS AS SPECIFIED ON THE PLANTER DETAIL, SHEET 23. PLANTERS TO BE FERTILIZED AND MULCHED. MULCHING SHALL BE PAID UNDER PAY ITEM 651.27 "CEDAR BARK MULCH" AND THE COLOR SHALL BE DECIDED BY THE TOWN.
- ORNAMENTAL GRASS TYPE TO BE APPROVED BY THE TOWN OF BRATTLEBORO PRIOR TO PLANTING.
- DEPTHS OF TOPSOIL FOR PLANTERS AND PLANTING AREAS ARE SHOWN ON SHEET 23.
- MAINTENANCE OR UPKEEP TO PLANTINGS AFTER COMPLETION OF PROJECT SHALL BE THE RESPONSIBILITY OF THE TOWN OF BRATTLEBORO.
- STATIONS ARE GIVEN IN KILOMETERS AND DIMENSIONS ARE GIVEN IN MILLIMETERS.

PLANTER "A" TO CONTAIN TINKERBELL LILACS. PLANTER "C" TO CONTAIN DAYLILIES (STELLA D'ORO). 450 ON-CENTER SPACING BETWEEN PLANTINGS (TYP.)

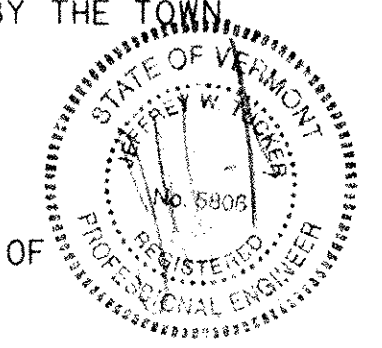
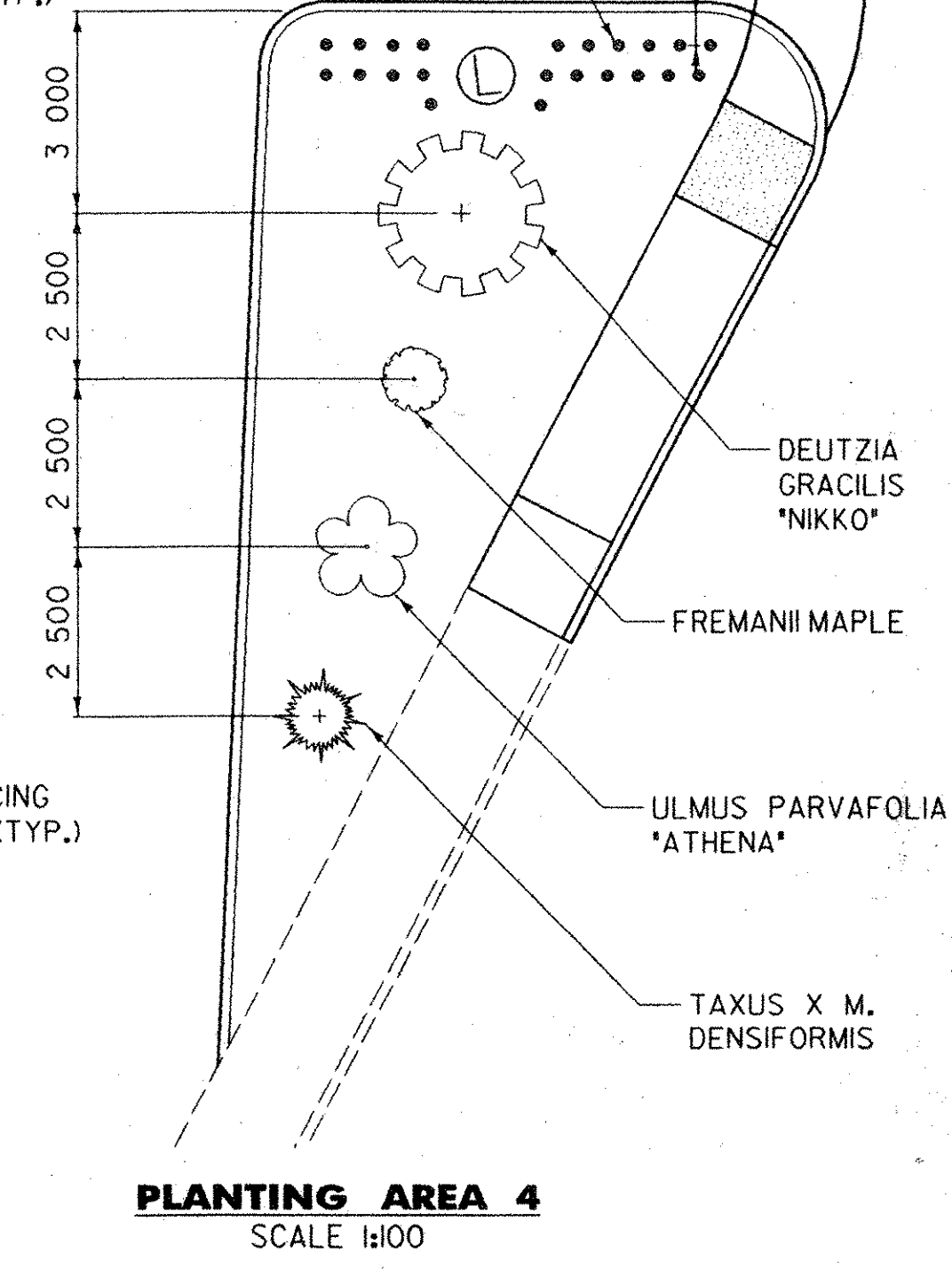


EXISTING CONCRETE WALL

ORNAMENTAL GRASS 600 ON-CENTER SPACING BETWEEN PLANTINGS (TYP.)



DAYLILIES (STELLA D'ORO) 450 ON-CENTER SPACING BETWEEN PLANTINGS (TYP.)



DuBois & King INC.
engineering planning management development

TOWN OF BRATTLEBORO BRATTLEBORO, VERMONT
WHETSTONE BROOK PATHWAY PROJECT STP BIKE (27) S
LANDSCAPING PLAN

DRAWN BY SJB	DATE FEB. 2004
CHECKED BY JK	PROJ. NO. R16544
PROJ. ENG. JDA	DRAW. NO. 11445
SHEET 17 OF 30	

NOTE DEC 04
Plantings To Be Reviewed by
Committee and List Available in Early Feb