

LEGEND

EXISTING

- EDGE OF PAVEMENT
- EDGE OF BROOK
- /// BUILDING
- ★ TREE
- ♣ STUMP
- △ TIE POINT
- ⊕ UTILITY POLE
- ⊙ MANHOLE
- ▽ SIGN
- CULVERT
- ⊠ CATCH BASIN
- ⊘ STONE WALL
- S --- SEWER LINE
- AERIAL E&T --- AERIAL E+T

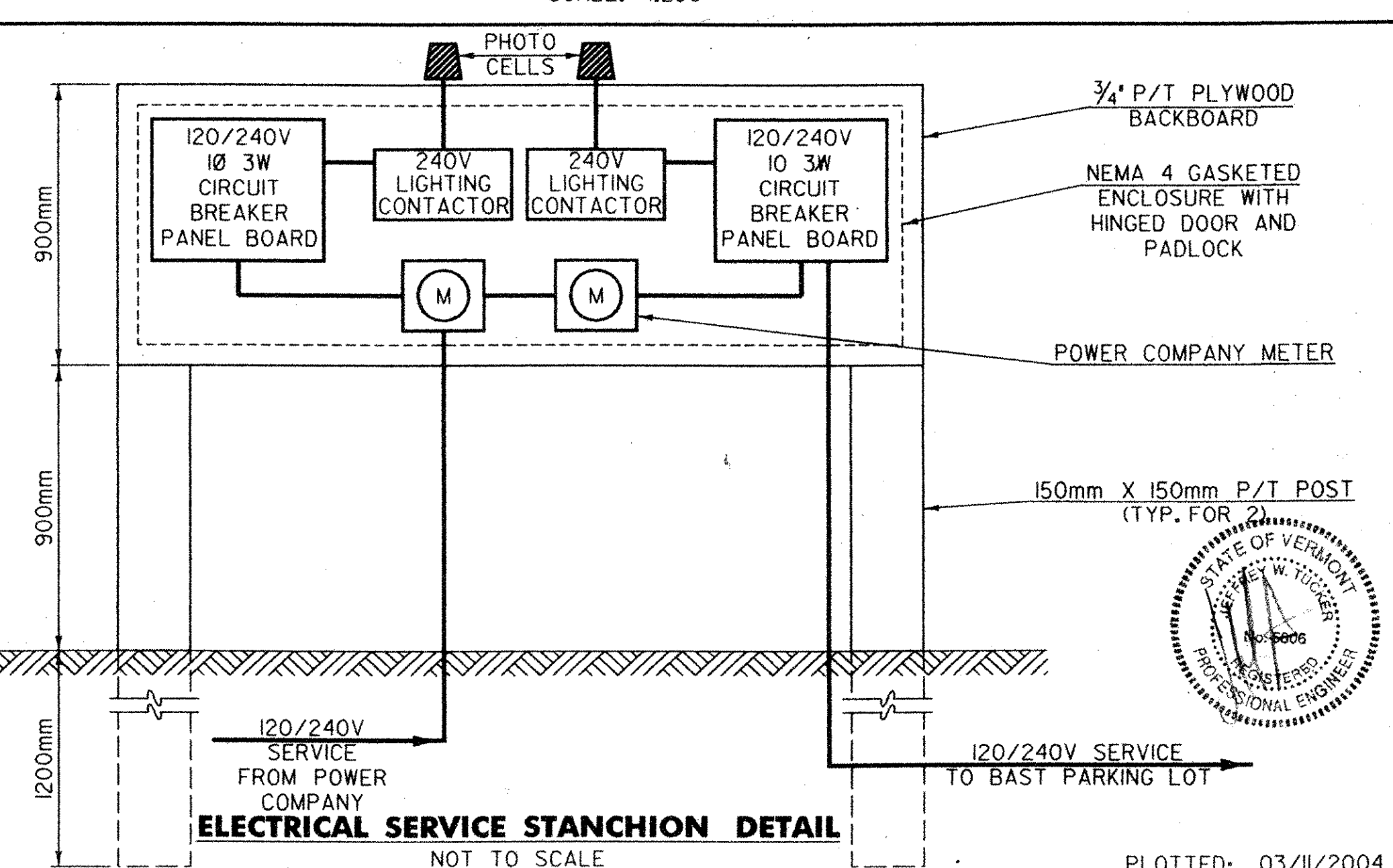
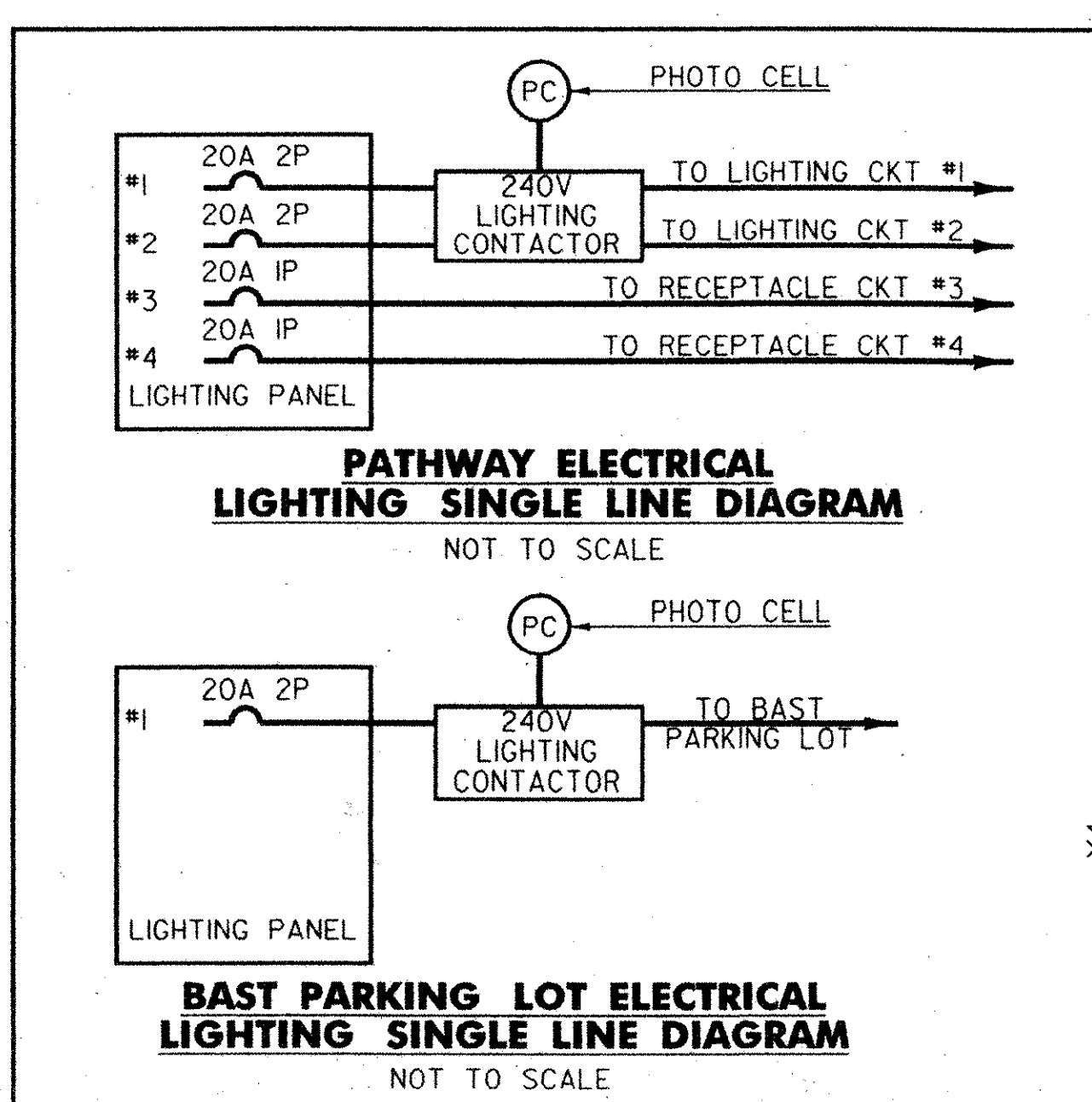
PROPOSED

- ⊙ PATHWAY LIGHT
- ⊠ CATCH BASIN
- UE --- ELECTRICAL CONDUIT
- CABLE CONDUIT

DATUM

VERTICAL NVD 88

HORIZONTAL NAD 83



NEW LIGHT POLE AND LUMINAIRE

STA. 1+028.769, 2.339 RT	STA. 1+096.970, 11.275 LT
STA. 1+030.664, 2.400 LT	STA. 1+102.285, 2.916 LT
STA. 1+058.969, 2.257 RT	STA. 1+116.485, 2.674 LT
STA. 1+059.495, 3.289 LT	STA. 1+138.359, 3.908 RT
STA. 1+077.999, 8.042 LT	STA. 1+138.359, 16.982 RT
STA. 1+083.603, 0.934 LT	

- NOTE:**
- SEE SHEET 19 FOR UTILITY RELOCATION NOTES.
 - STATIONS ARE GIVEN IN KILOMETERS, OFFSETS ARE GIVEN IN METERS AND DIMENSIONS ARE GIVEN IN MILLIMETERS.
 - CVPS IS RESPONSIBLE FOR OBTAINING NECESSARY EASEMENTS FOR WORK ASSOCIATED WITH THE PRIMARY UNDERGROUND ELECTRICAL TRENCH.
 - ELECTRICAL CONDUCTOR SIZE REFERS TO AWG WIRE SIZE.

DuBois & King

engineering planning management development

TOWN OF BRATTLEBORO
BRATTLEBORO, VERMONT

WHETSTONE BROOK PATHWAY PROJECT
STP BIKE (27) S

UTILITY RELOCATION SHEET

DRAWN BY SJB	DATE FEB. 2004
CHECKED BY [Signature]	PROJ. NO. R16544
PROJ. ENG. JDA	DRAW. NO. 11476
SHEET 14 OF 30	

PLOTTED: 03/11/2004