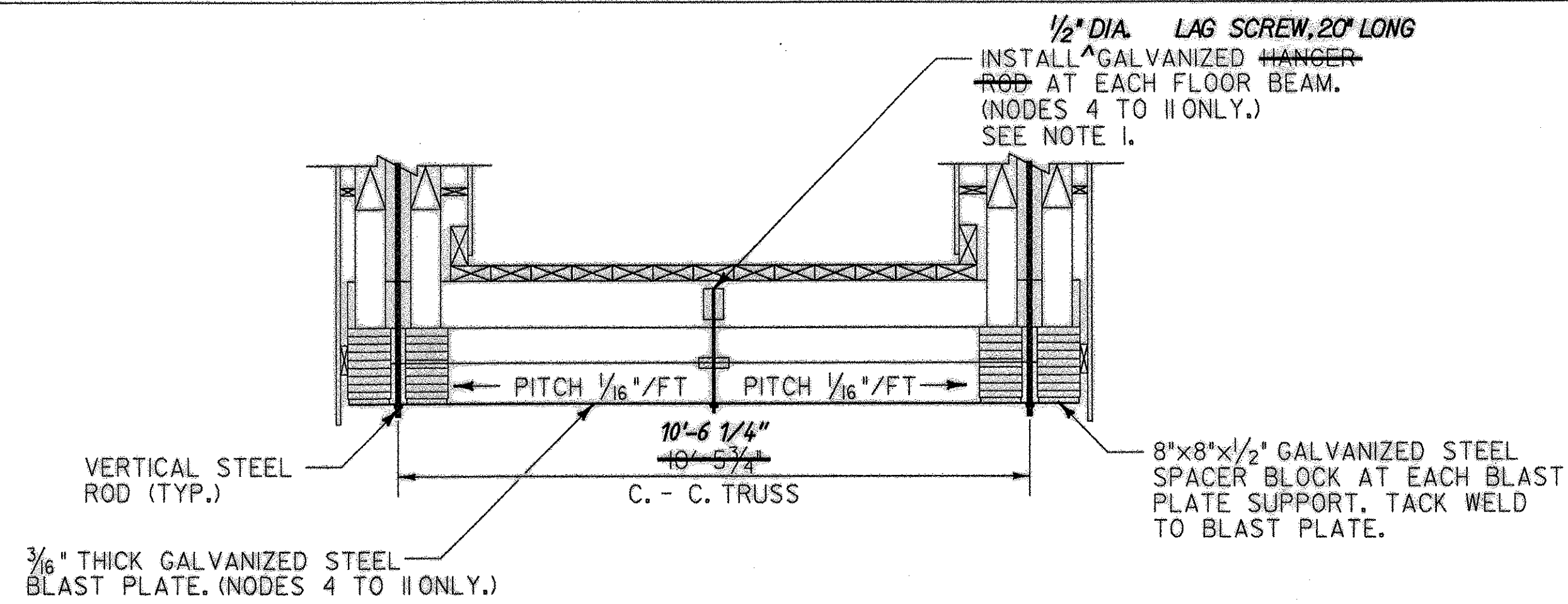
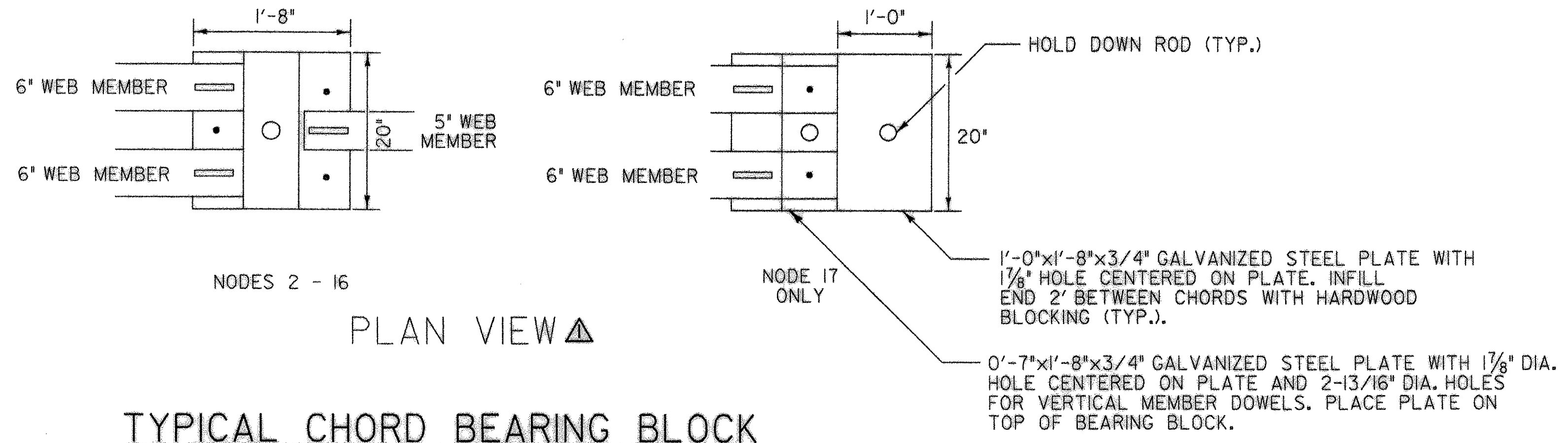


ELEVATION VIEW



TRUSS SECTION AT BLAST PLATES

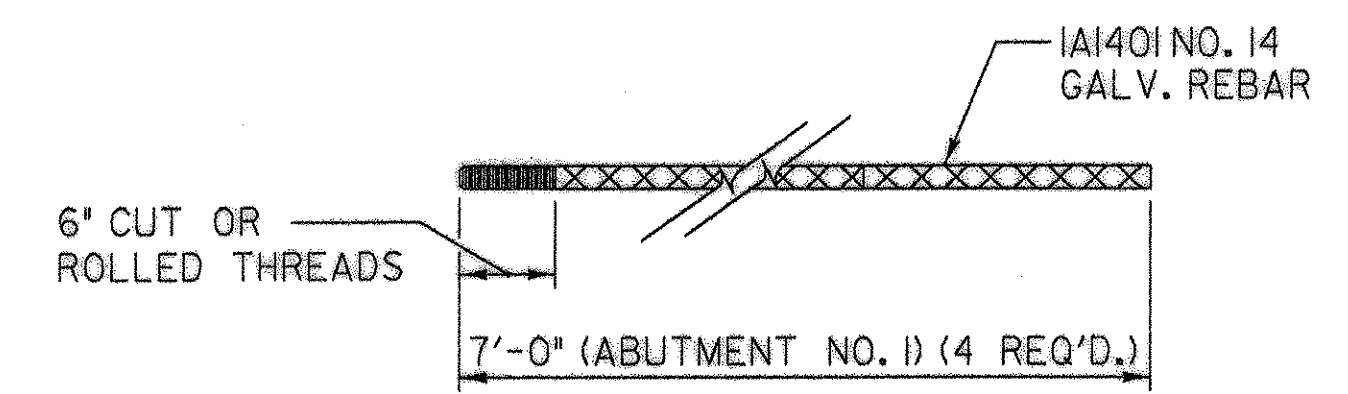
SCALE 1/2" = 1'-0"



PLAN VIEW

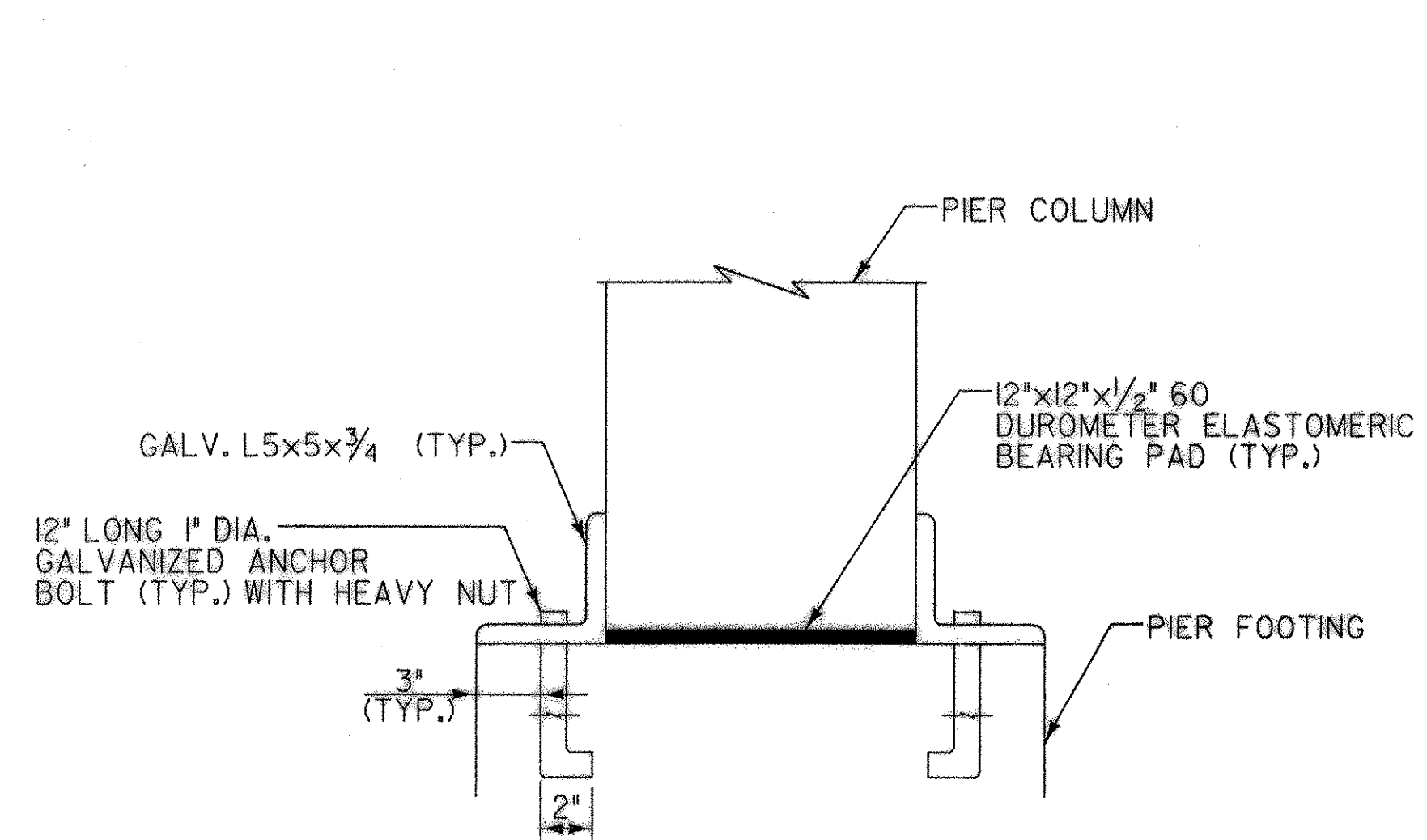
TYPICAL CHORD BEARING BLOCK

SCALE 1" = 1'-0"



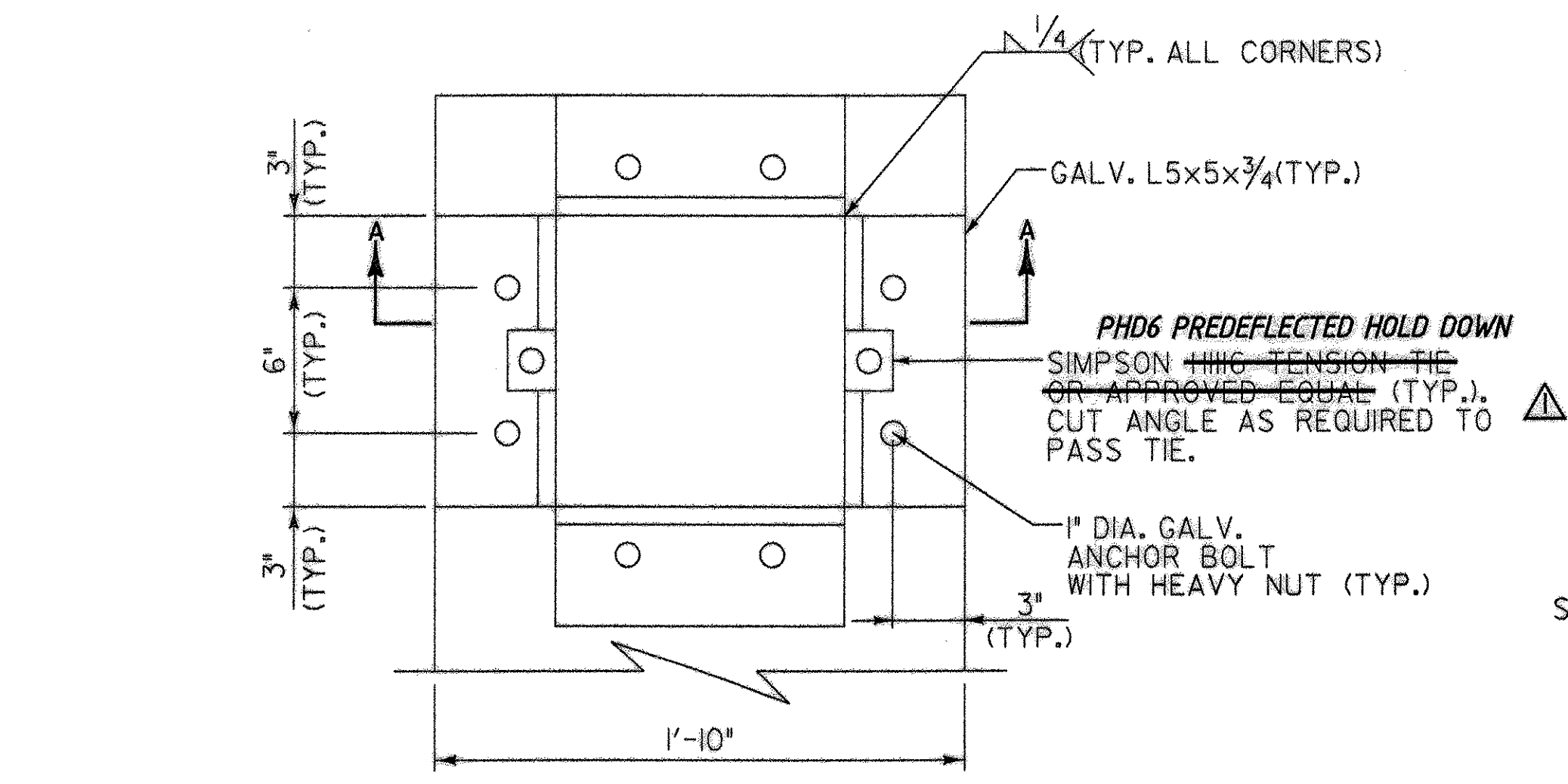
TYPICAL HOLD DOWN ROD (ITEM 506.75)

SCALE: 1" = 1'-0"



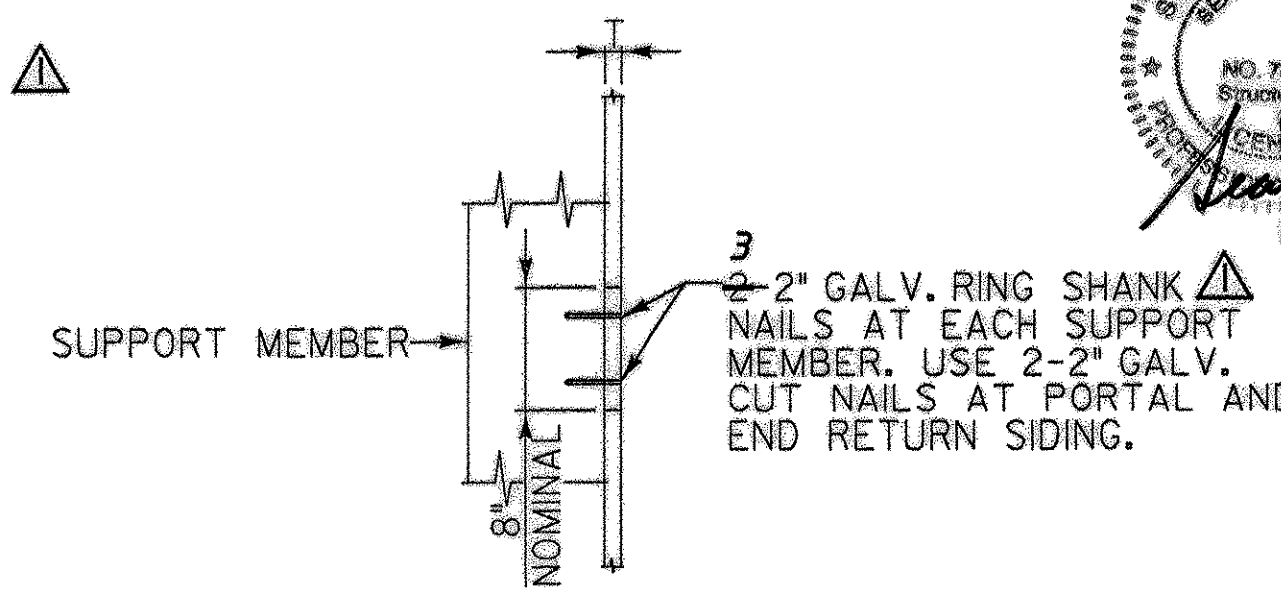
SECTION A-A

SCALE: 2" = 1'-0"



PIER COLUMN-FOOTING PEDESTAL CONNECTION

SCALE: 2" = 1'-0"



SIDING DETAIL

SCALE: 1" = 1'-0"

PLAN NOTES:

- EACH BLAST PLATE HANGER ROD AND CONNECTION SHALL HAVE A MINIMUM ALLOWABLE TENSION CAPACITY OF 150 POUNDS. PROVIDE MANUFACTURERS CUT SHEET OR CALCULATIONS TO THE ENGINEER FOR REVIEW AND APPROVAL.

STATE OF VERMONT
 S.T. JAMES
 CONSULTING ENGINEER
 150 Dow Street - Manchester, NH 03101-2227
 Tel: 603-669-5555 Fax: 603-669-4668
 184 South Willoughby Ave. - Burlington, VT 05401
 Tel: 802-860-1133 Fax: 802-860-6499
 Web Page: www.joytanner.com E-Mail: hgt@ttr.com

Town Of	BRIGHTON	Bridge No.	
Highway No.		Log Sta.	
BRIGHTON PEDESTRIAN BRIDGE		Surv. Sta.	
STRUCTURAL DETAILS			
Designed By	S.T. JAMES	Drawn By	W. DRUDING
Checked By	R.H. DURFEE	Date	MAY 2002
PROJECT	BRIGHTON	Bridge Design Supervisor	
PROJECT NO.		STP BIKE (14)S	
I.G.C. Info.		Z9068TR2.dgn	
Bridge Sheet No.	13	Sheet	13 of 14