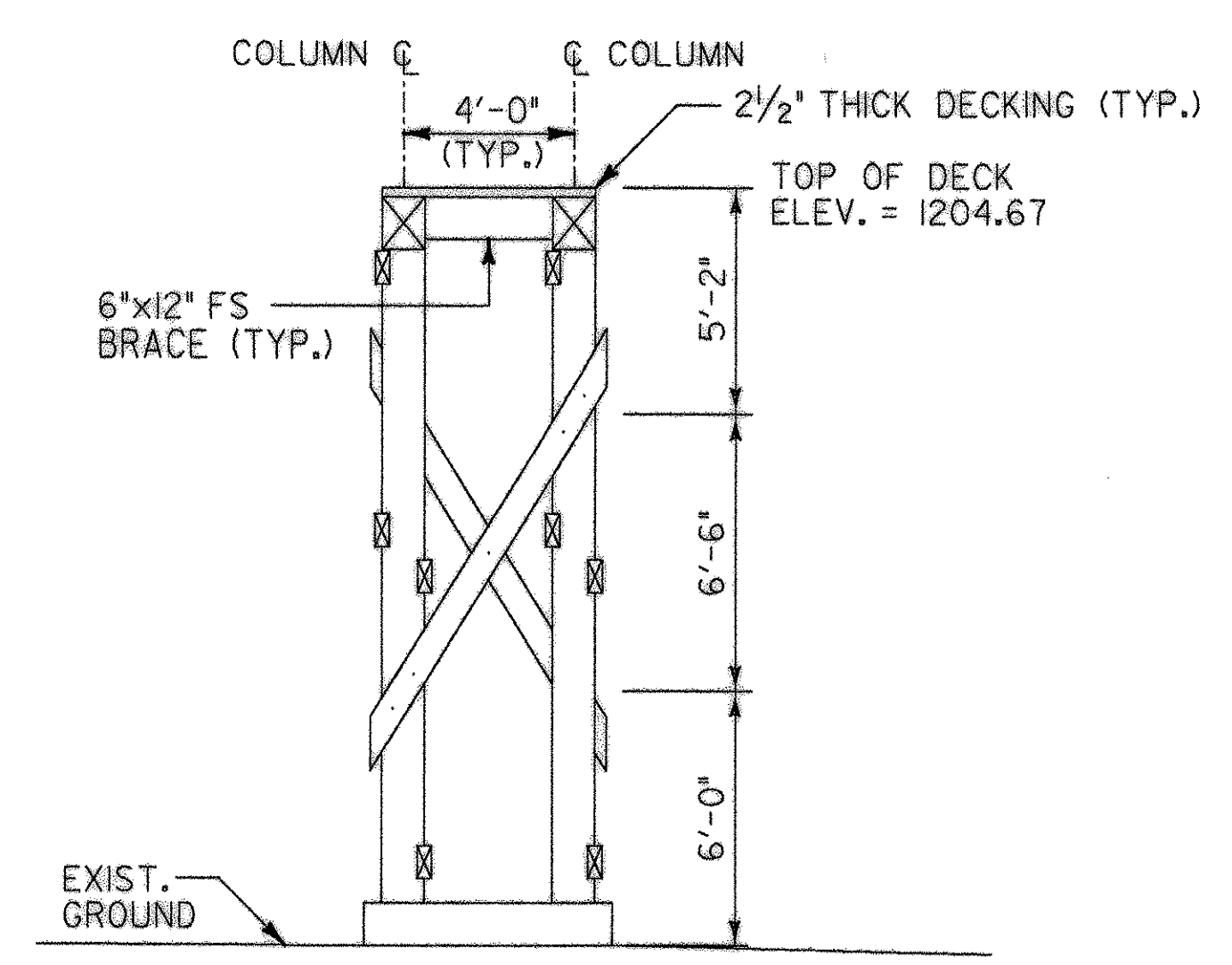
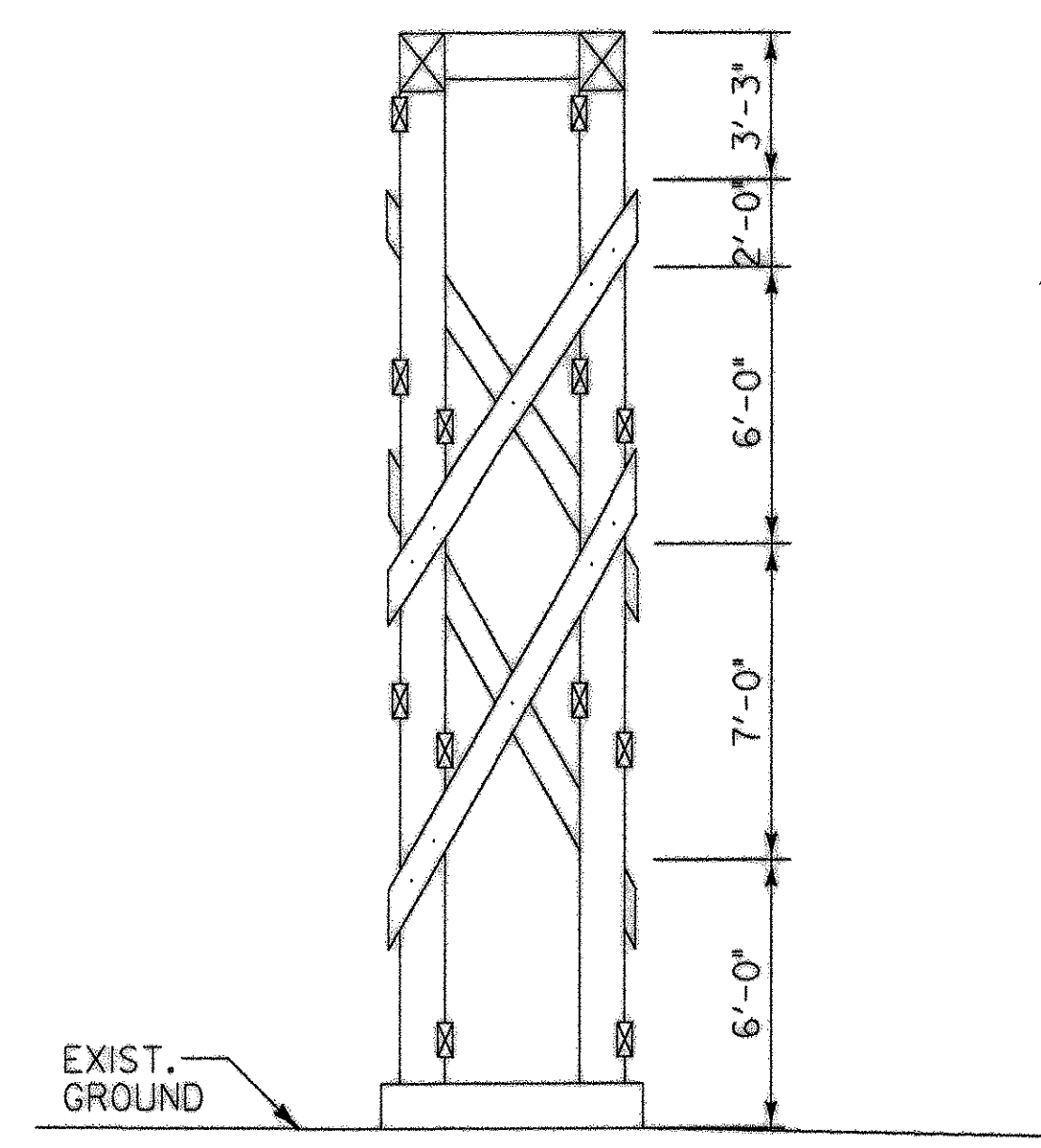


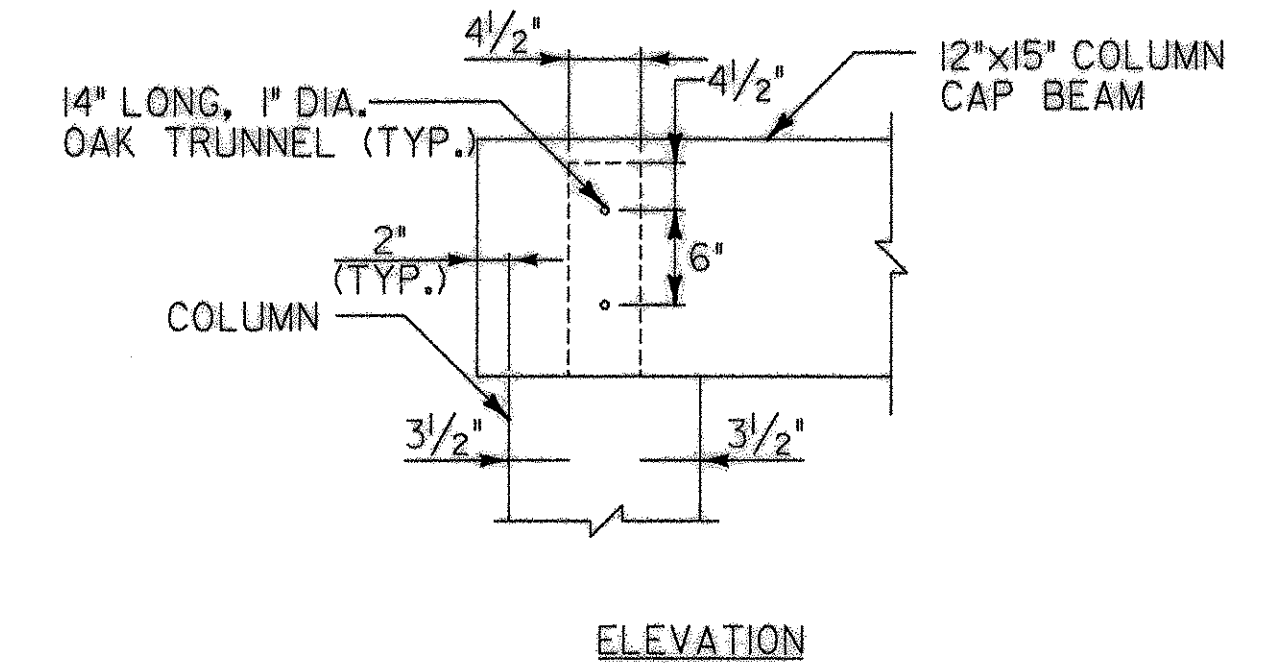
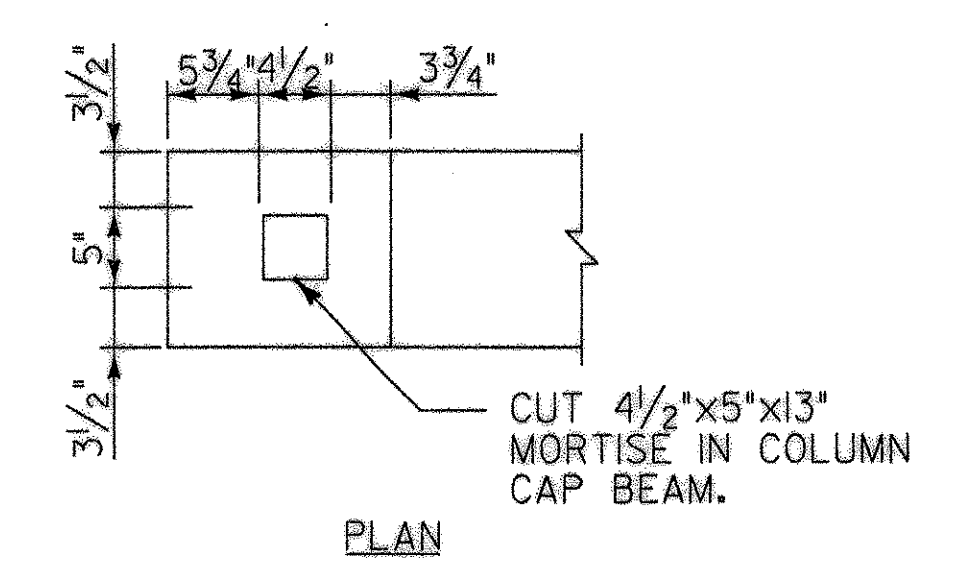
SECTION A-A
SCALE 1" = 1'-0"



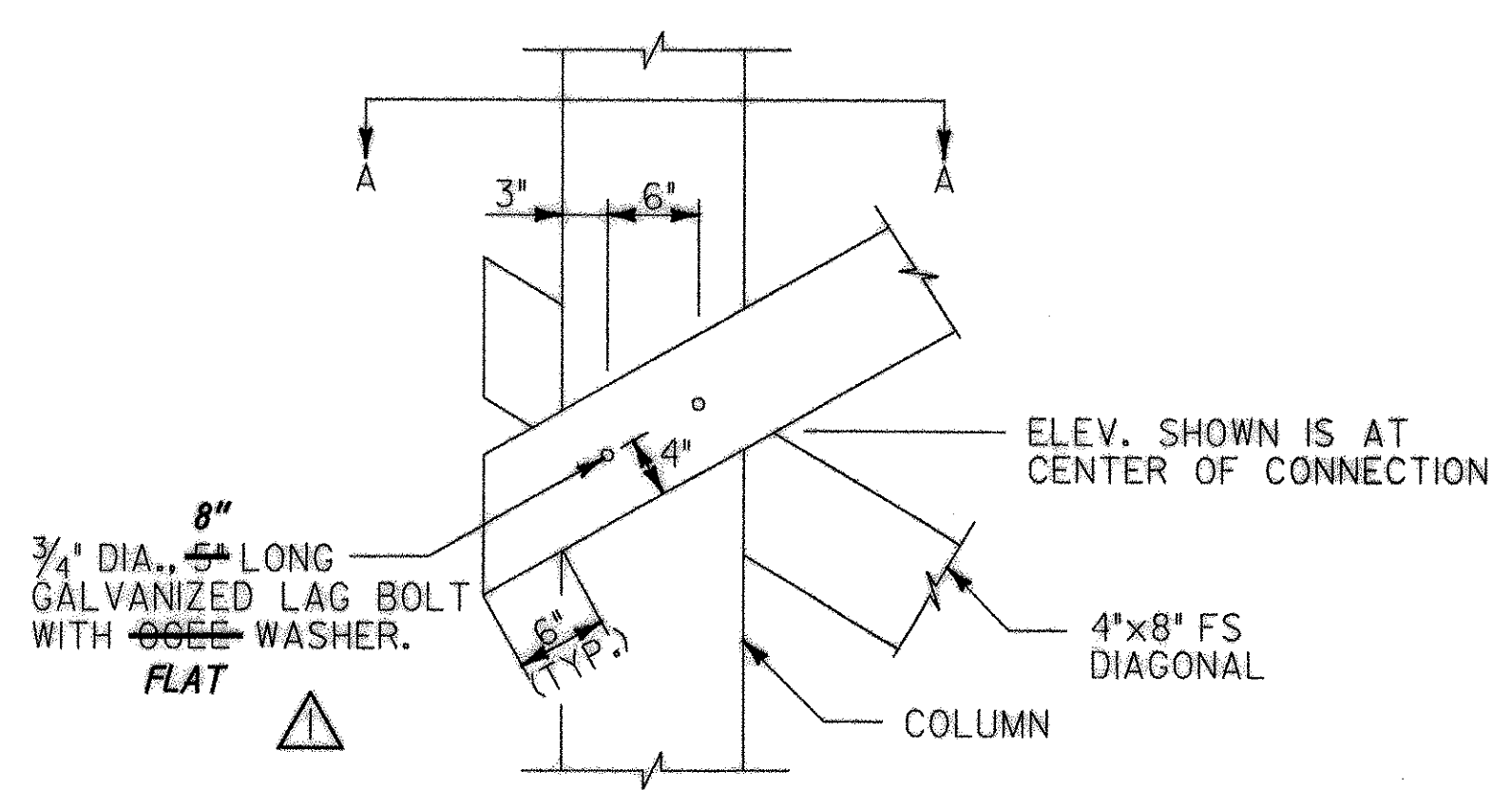
PIER 2 EAST ELEVATION
SCALE 1/4" = 1'-0"



PIER 3 EAST ELEVATION
SCALE 1/4" = 1'-0"



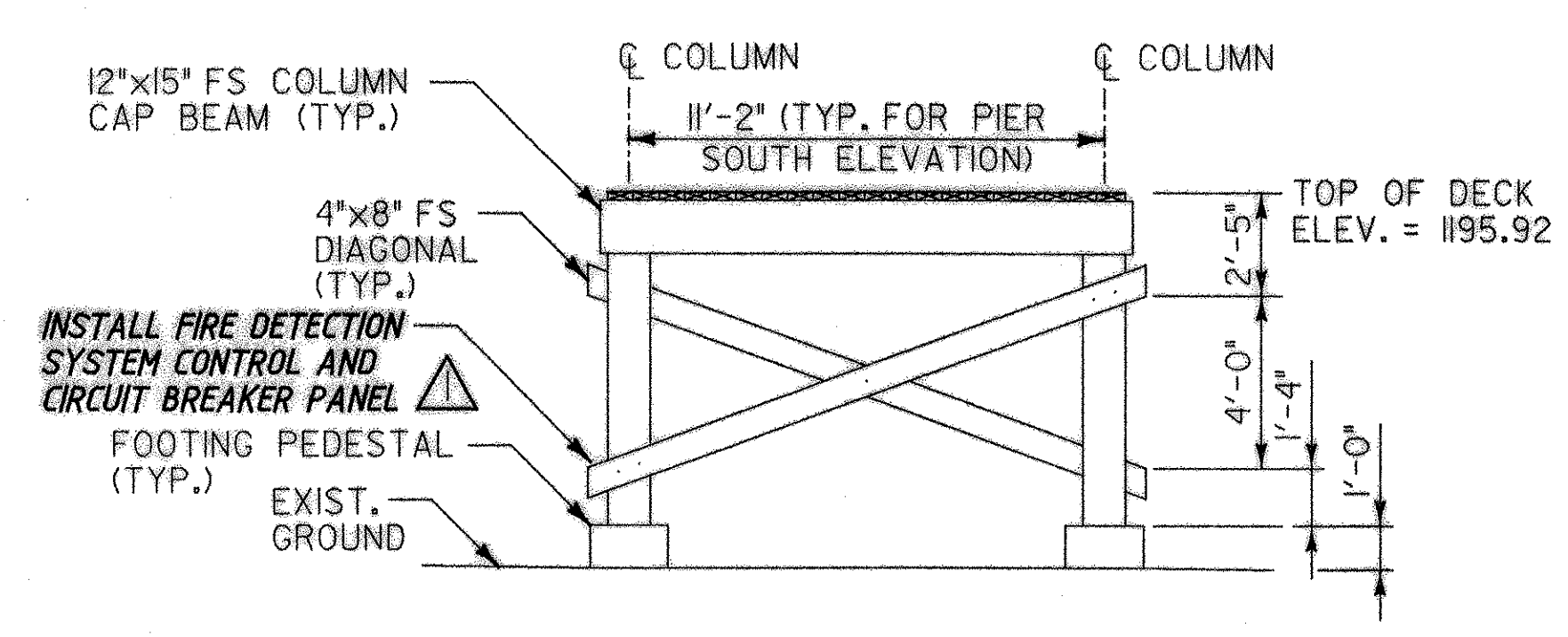
DETAIL "B"
SCALE 1" = 1'-0"



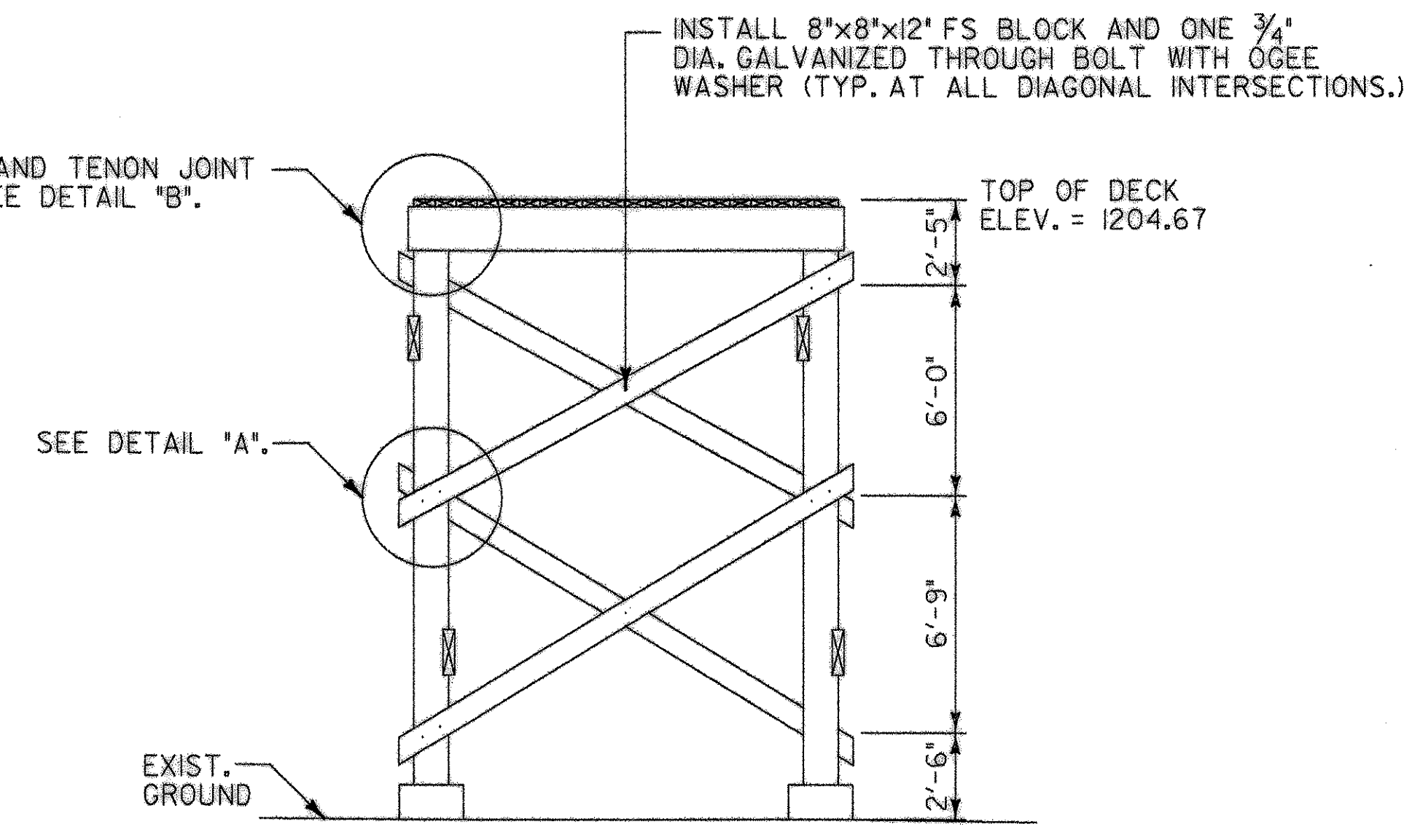
DETAIL "A"
SCALE 1" = 1'-0"

PLAN NOTES:

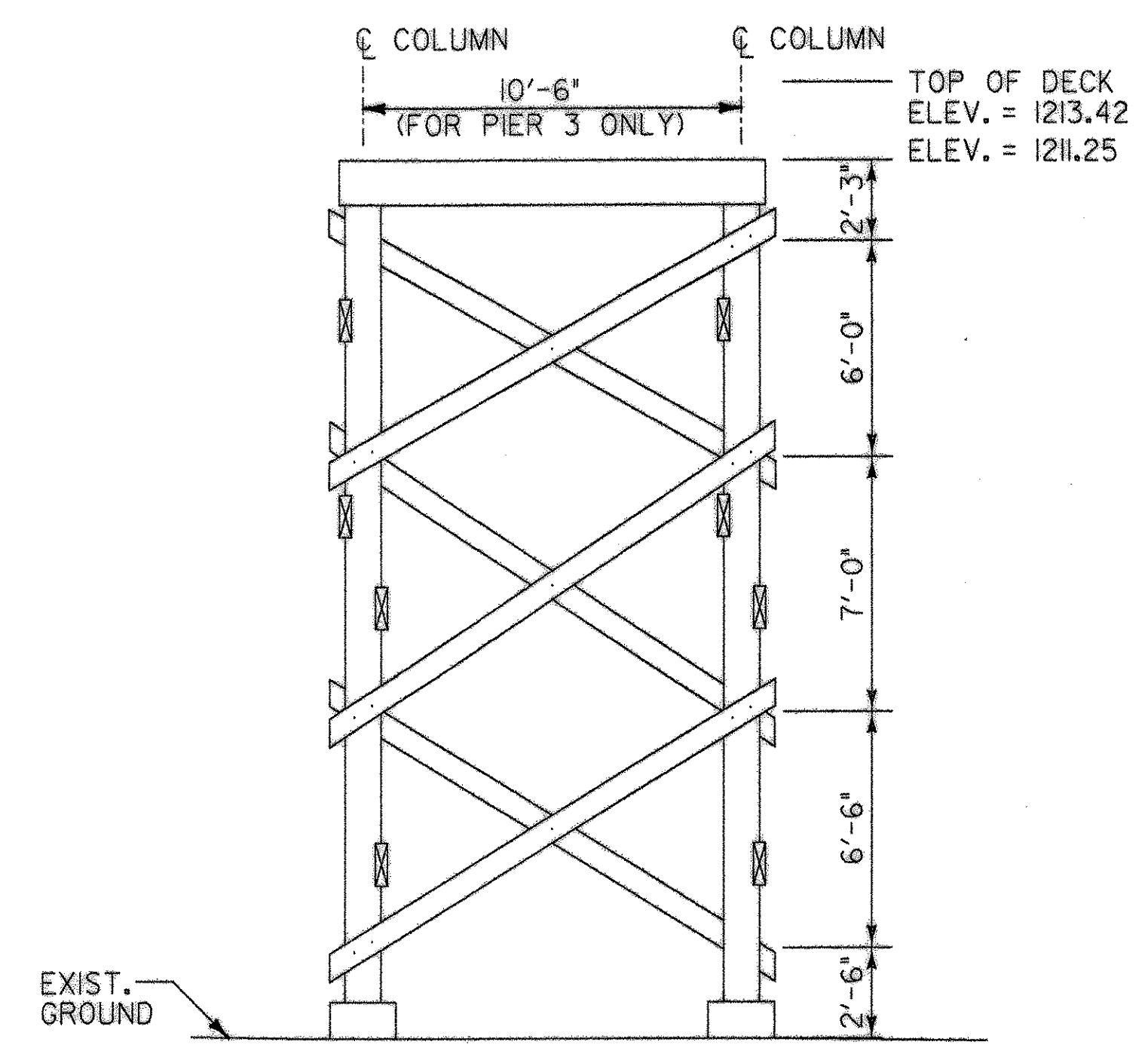
- EAST AND SOUTH ELEVATIONS SHOWN. WEST AND NORTH SIMILAR.
- DIAGONAL BRACING IS NOT REQUIRED ON THE EAST AND WEST ELEVATION OF PIER ONE.
- SEE SHEET 13 FOR COLUMN TO FOOTING PEDESTAL CONNECTION.
- ALL PIER COLUMN, BRACING AND CAP BEAMS SHALL BE PRESSURE TREATED.



PIER 1 SOUTH ELEVATION
SCALE 1/4" = 1'-0"



PIER 2 SOUTH ELEVATION Δ
SCALE 1/4" = 1'-0"



PIER 3 SOUTH ELEVATION Δ
SCALE 1/4" = 1'-0"

STATE OF VERMONT
SEAL OF T. JAMES
NO. 7030
Structural
11/1/03

HIA
consulting engineers
150 Dow Street - Manchester, NH 03101-2227
Tel: 603-659-5555 Fax: 603-659-4968
184 South Willoughby Ave. - Burlington, VT 05401
Tel: 802-860-0331 Fax: 802-860-6499
Web: www.royjetanner.com E-Mail: hsp@hita-rh.com

RECORD COPY REVISIONS		DR BY JBM	CHK BY STJ
Town Of	BRIGHTON	Bridge No.	
Highway No.		Log Sta.	
		Surv. Sta.	
BRIGHTON PEDESTRIAN BRIDGE			
PIER ELEVATION & DETAILS			
Designed By	S.T. JAMES	Drawn By	W. DRUDING
Checked By	R.H. DURFEE	Date	MAY 2002
		Bridge Design Supervisor	
PROJECT	BRIGHTON	PROJECT NO.	STP BIKE (14)S
I.G.C. Info.	Z9068PRI.dgn		
Bridge Sheet No.	10	Sheet	10 of 14