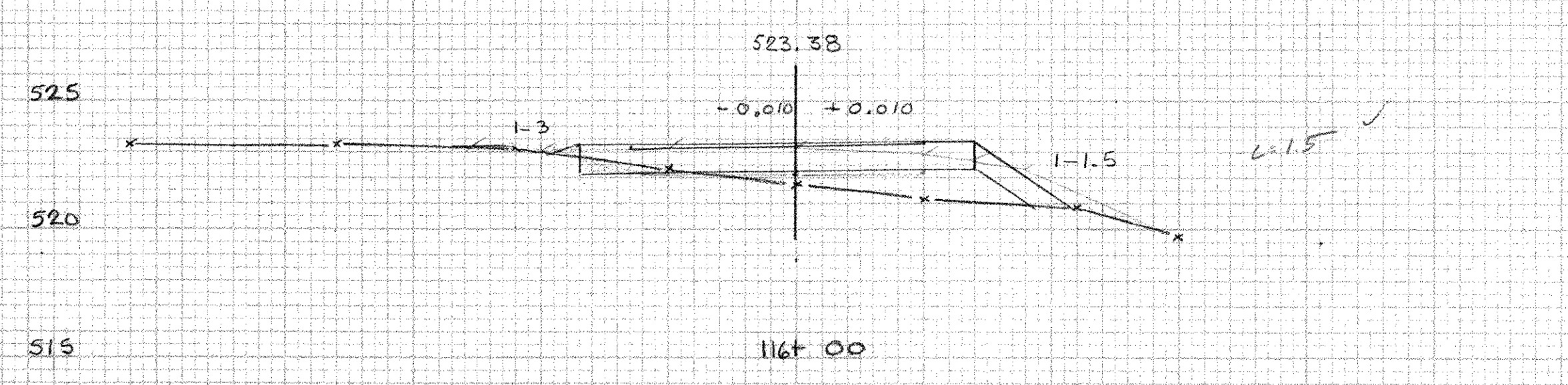
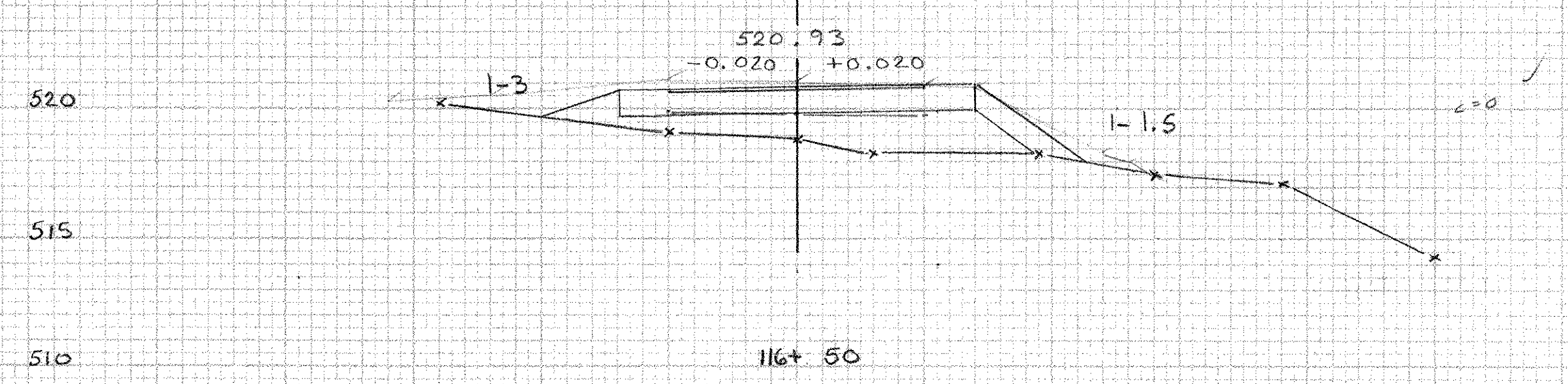
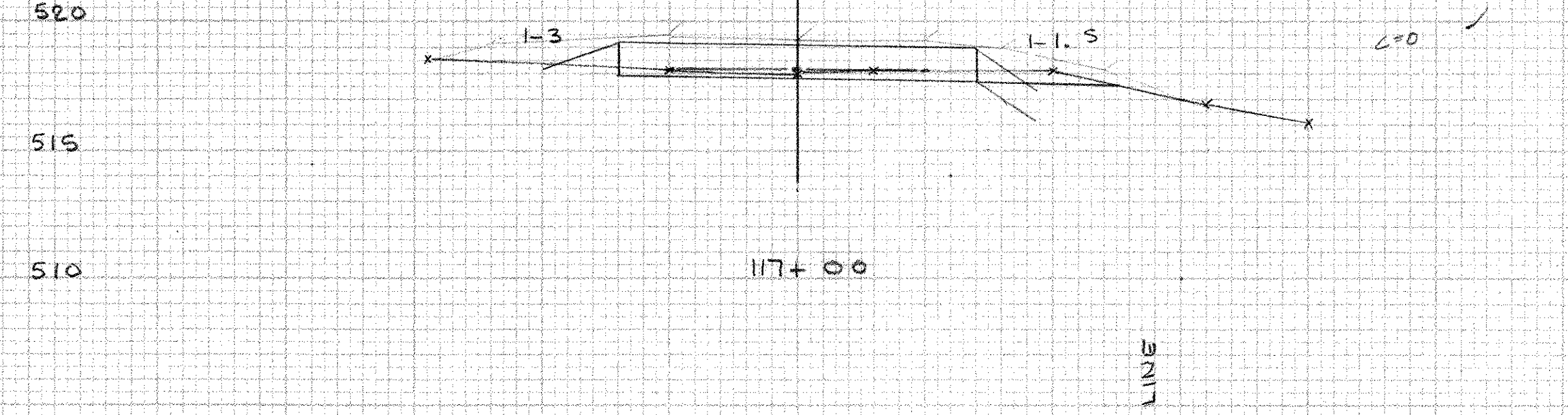
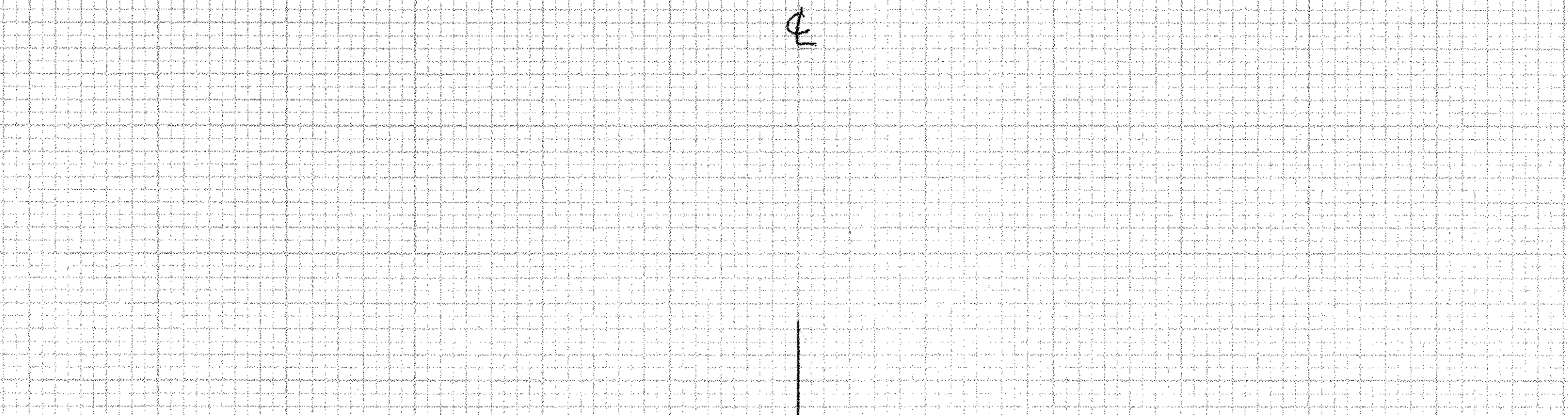
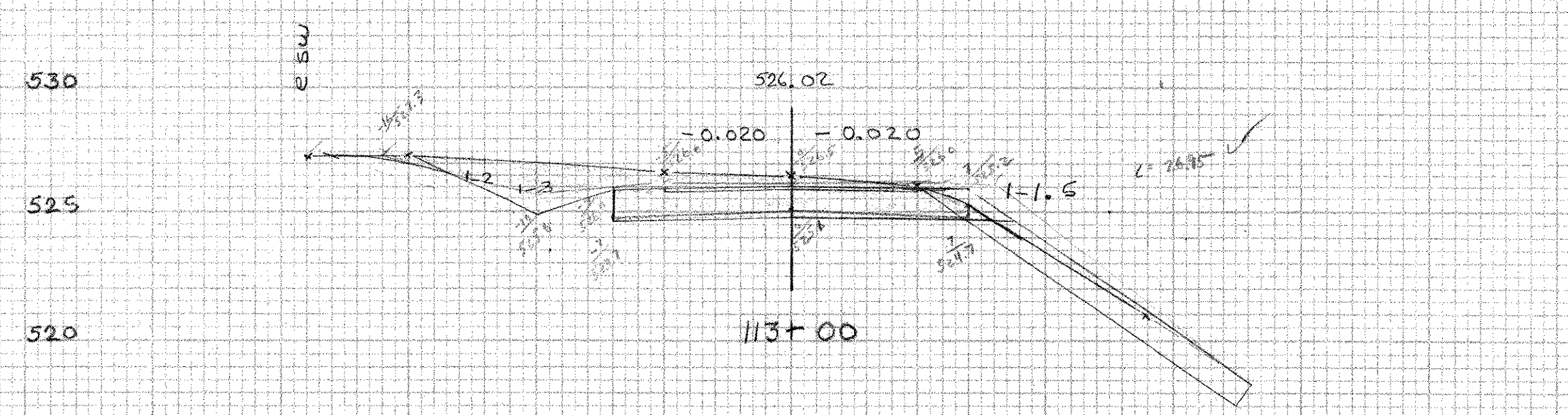
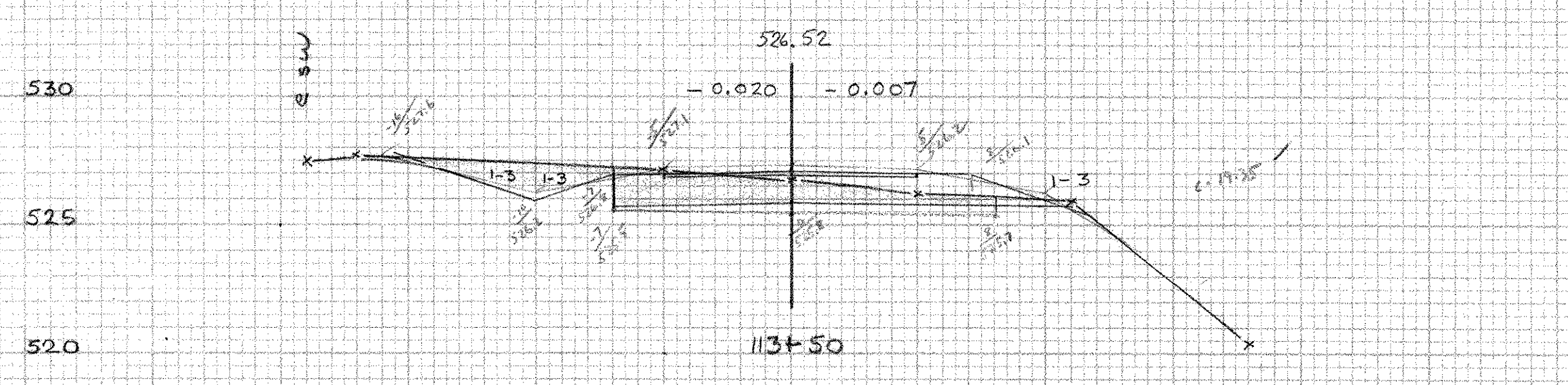
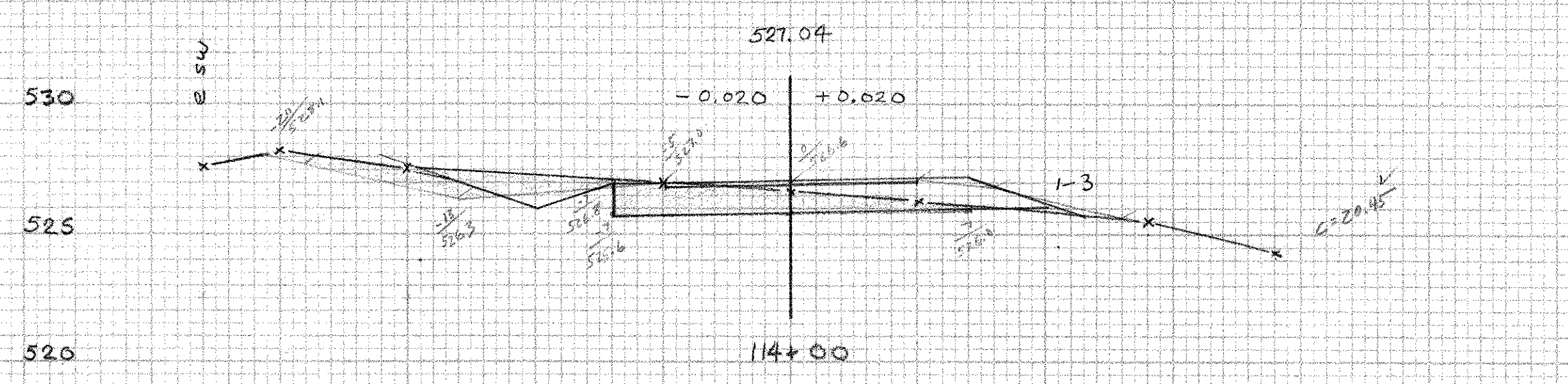
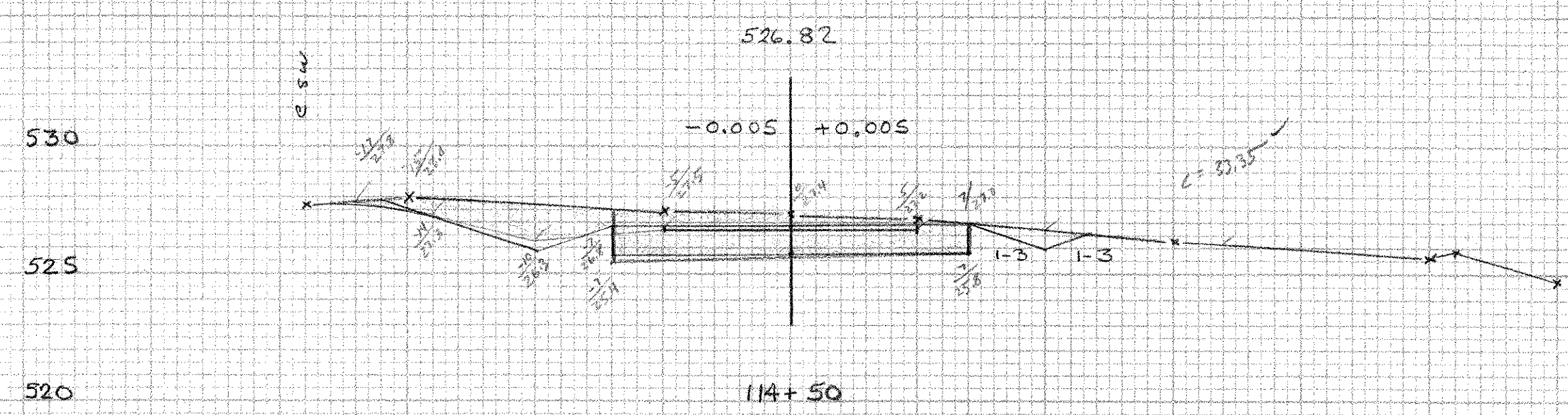
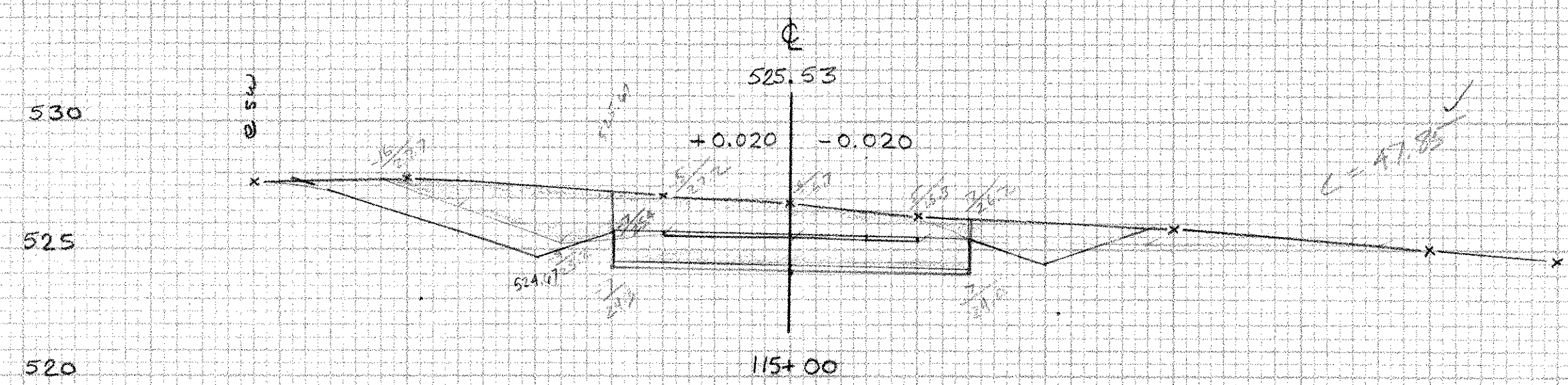


DATE	
BY	
ORIGINAL SURVEY	
NOTE BOOK	
NO.	
SURVEYED	
TERMINATE	
AREAS	
AREAS CHECKED	

DATE	
BY	
ORIGINAL SURVEY	
NOTE BOOK	
NO.	
SURVEYED	
TERMINATE	
AREAS	
AREAS CHECKED	



30 25 20 15 10 5 5 10 15 20 25 30

30 25 20 15 10 5 5 10 15 20 25 30

MONTPELIER BWM-BIKE (4)S  
SCALE 1" = 5'  
By F. DONALD 4-98