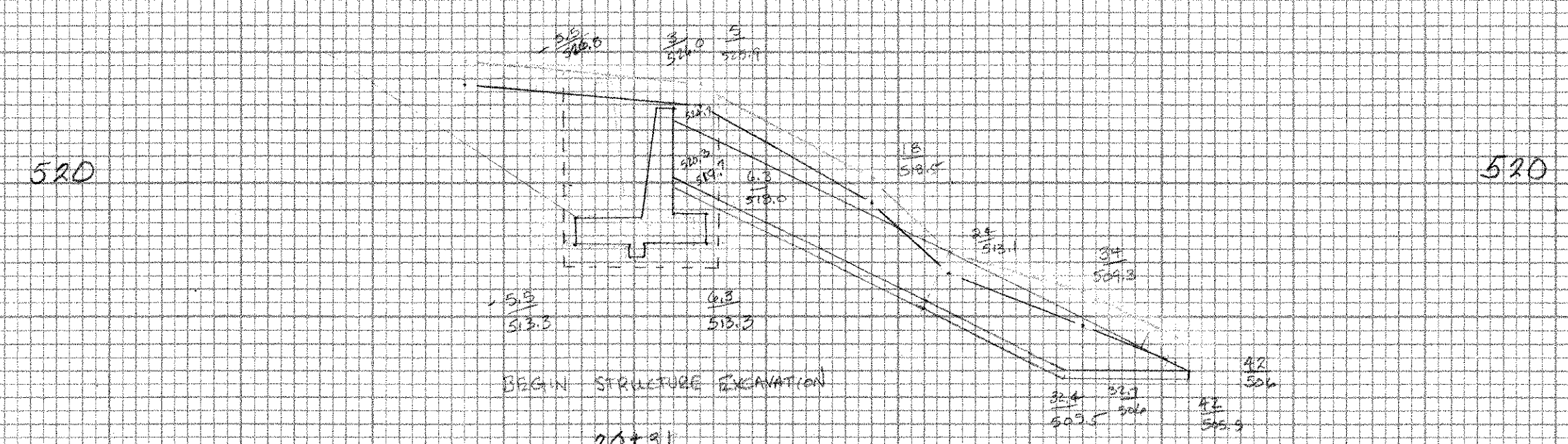


NO.	DATE	BY	REVISION

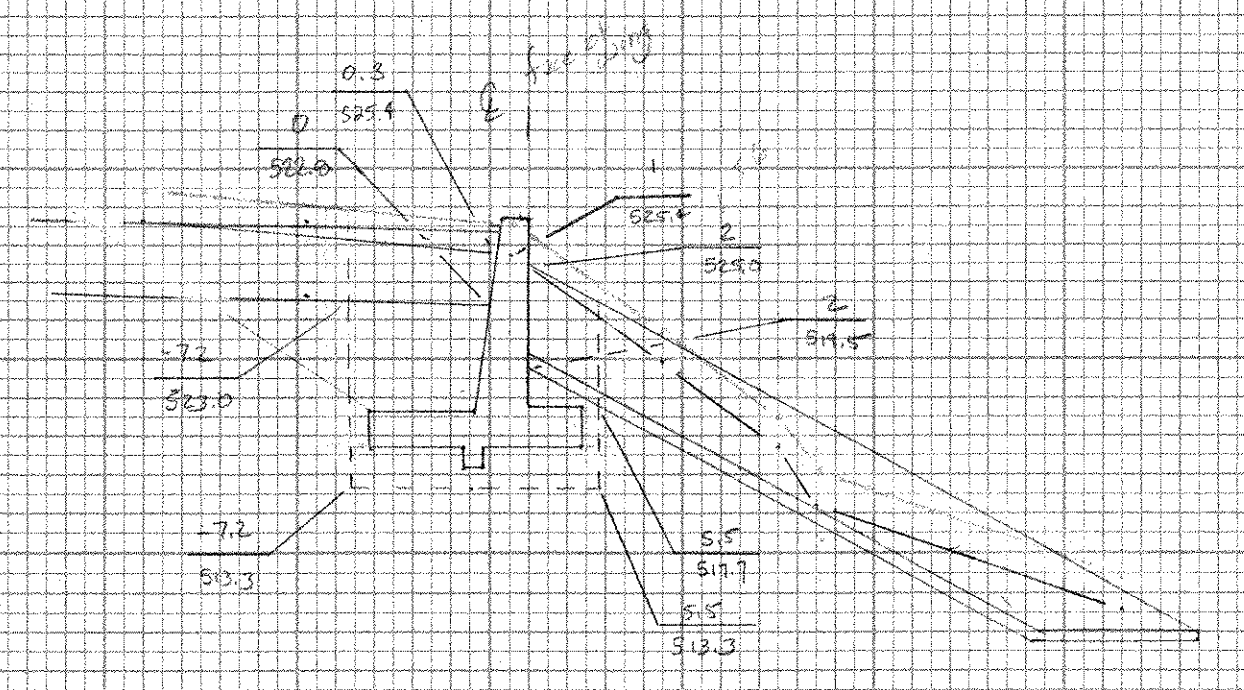
NO.	DATE	BY	REVISION

STATION	DISTANCE	ITEM 203.27 UNCL CHAN. AREA, SF	VOLUME, CF	ITEM 203.27 GRAVEL FILL AREA, SF	VOLUME, CF	ITEM 613.13 STONE FILL AREA, SF	VOLUME, CF	ITEM 619.31 W 10% LF AREA, SF	FABRIC
20+02	29	183.8	5281.0	22.8	667.0	140.6	4247.0	40	1159
20+31	28	185.3	2995.8	23.7	501.4	152.3	3385.0	42	920
20+54	12	75.7	1111.2	20.4	250.2	121.7	1718.4	38	462
20+66	4	109.5	415	21.3	88.6	148.7	546.6	39	154
20+70		95.0	940.0	23.0	180.2	134.6	9867.0	38	2725

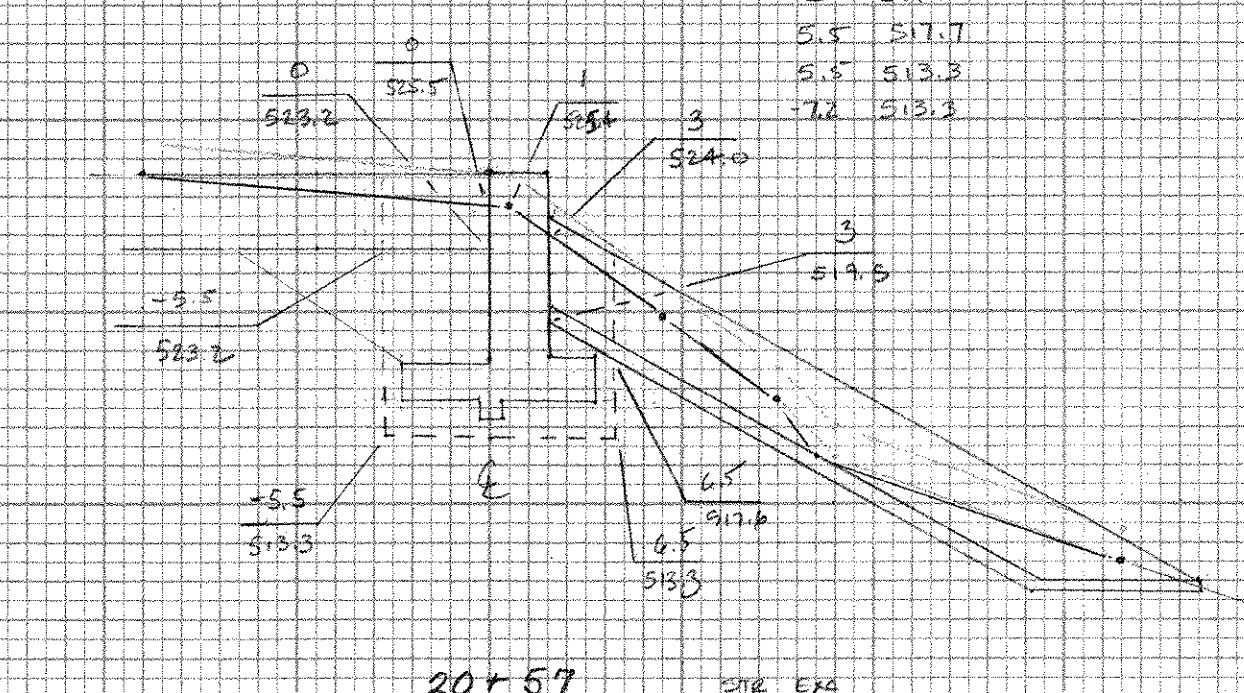
STATION	DISTANCE	ITEM 204.00 GRAVEL FILL AREA, SF	VOLUME, CF
20+31	29	129.7	3488.2
20+54	3	103.8	326.9
20+57	2	107.8	219.1
20+59	7	111.3	784.7
20+66	4	112.9	235.8
20+70	0		502.7
			1185.6 CF



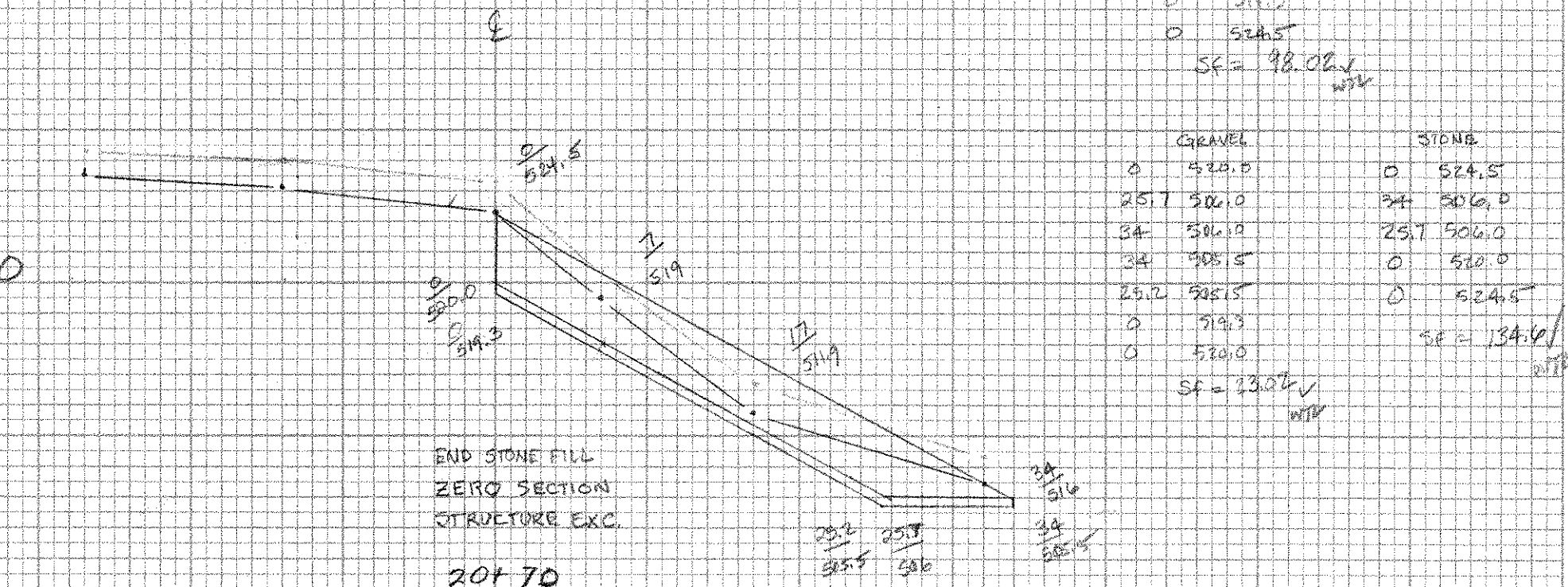
UNCL CHAN	GRAVEL	STONE	STRUCTURE
3	5281.0	2	5281.0
5	5281.0	42	5281.0
18	518.5	48	518.5
24	513.1	42	513.1
24	509.3	34.4	509.3
42	500.0	3	500.0
42	505.3	3	505.3
37.4	505.5		
2	50.7		
0	520.0		



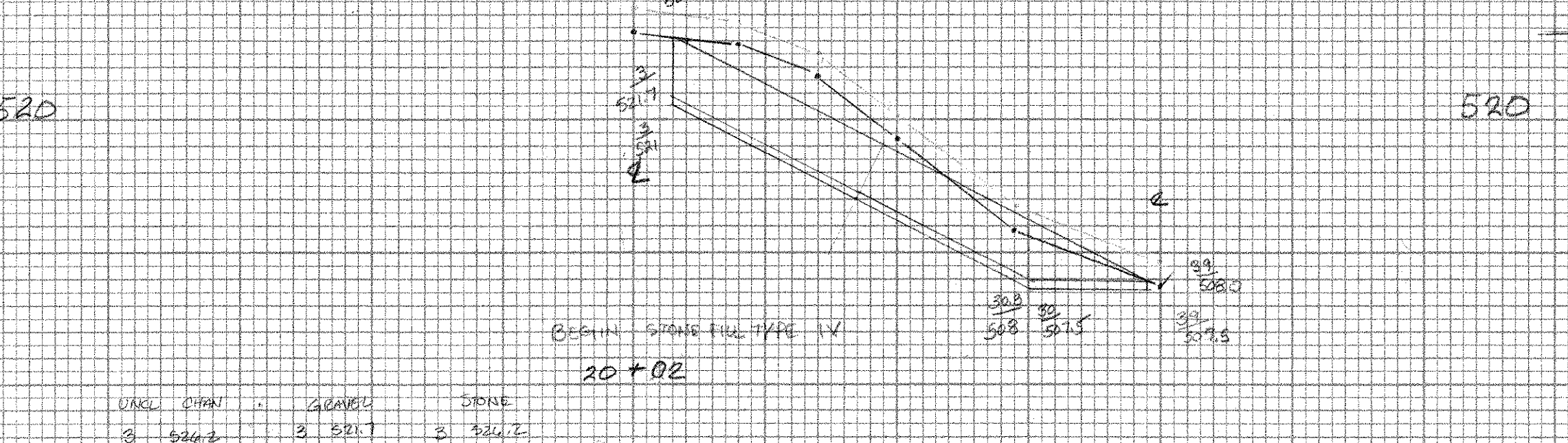
UNCL CHAN	GRAVEL	STONE	STRUCTURE
3	5281.0	2	5281.0
5	5281.0	42	5281.0
18	518.5	48	518.5
24	513.1	42	513.1
24	509.3	34.4	509.3
42	500.0	3	500.0
42	505.3	3	505.3
37.4	505.5		
2	50.7		
0	520.0		



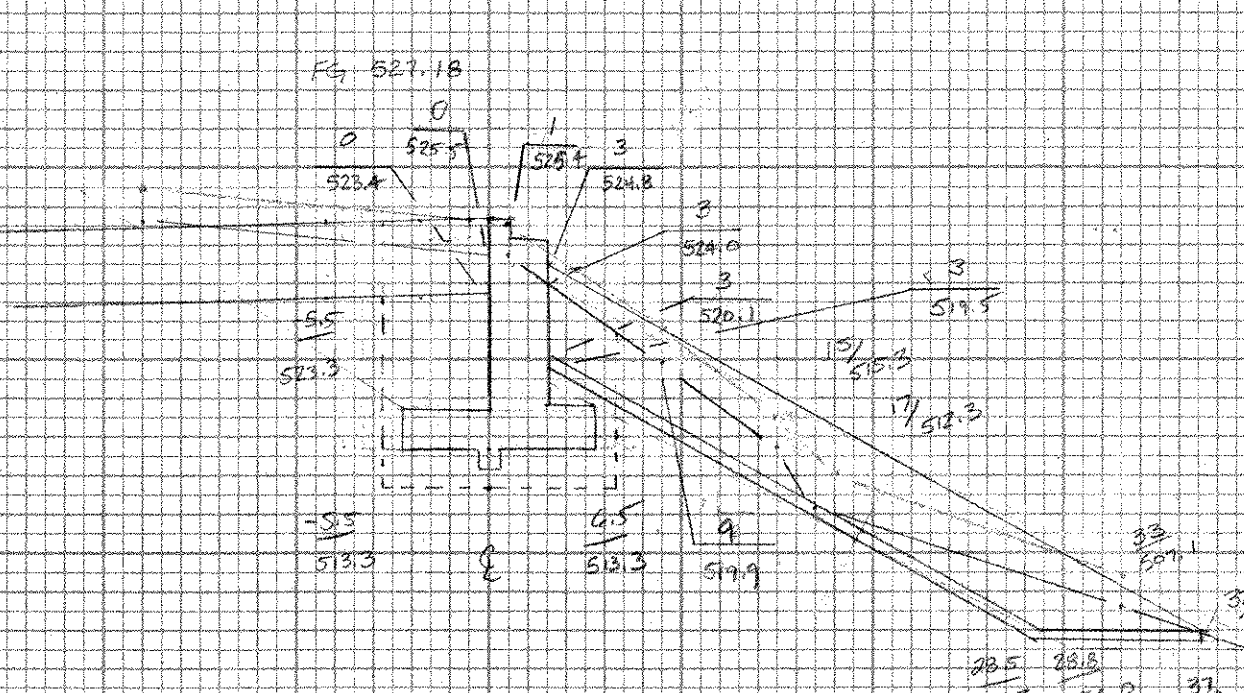
UNCL CHAN	GRAVEL	STONE	STRUCTURE
3	5281.0	2	5281.0
5	5281.0	42	5281.0
18	518.5	48	518.5
24	513.1	42	513.1
24	509.3	34.4	509.3
42	500.0	3	500.0
42	505.3	3	505.3
37.4	505.5		
2	50.7		
0	520.0		



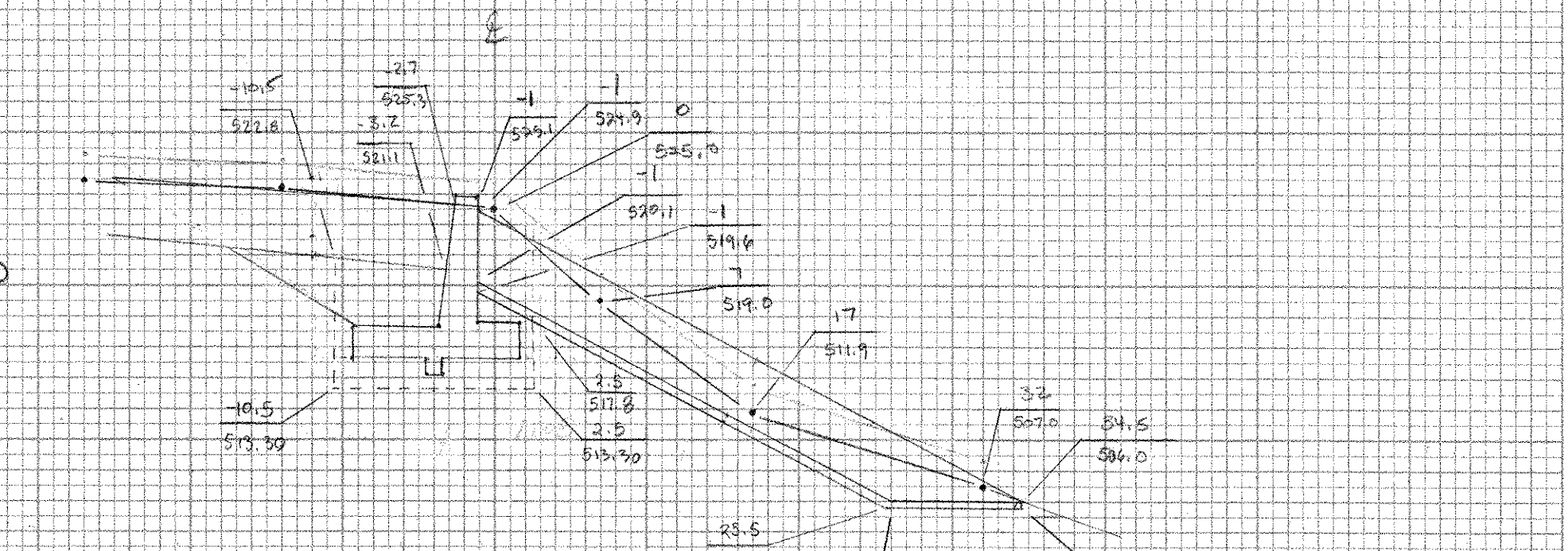
UNCL CHAN	GRAVEL	STONE	STRUCTURE
3	5281.0	2	5281.0
5	5281.0	42	5281.0
18	518.5	48	518.5
24	513.1	42	513.1
24	509.3	34.4	509.3
42	500.0	3	500.0
42	505.3	3	505.3
37.4	505.5		
2	50.7		
0	520.0		



UNCL CHAN	GRAVEL	STONE	STRUCTURE
3	5281.0	2	5281.0
5	5281.0	42	5281.0
18	518.5	48	518.5
24	513.1	42	513.1
24	509.3	34.4	509.3
42	500.0	3	500.0
42	505.3	3	505.3
37.4	505.5		
2	50.7		
0	520.0		



UNCL CHAN	GRAVEL	STONE	STRUCTURE
3	5281.0	2	5281.0
5	5281.0	42	5281.0
18	518.5	48	518.5
24	513.1	42	513.1
24	509.3	34.4	509.3
42	500.0	3	500.0
42	505.3	3	505.3
37.4	505.5		
2	50.7		
0	520.0		



UNCL CHAN	GRAVEL	STONE	STRUCTURE
3	5281.0	2	5281.0
5	5281.0	42	5281.0
18	518.5	48	518.5
24	513.1	42	513.1
24	509.3	34.4	509.3
42	500.0	3	500.0
42	505.3	3	505.3
37.4	505.5		
2	50.7		
0	520.0		

ADDITIONAL #2 STRUCTURE SECTIONS SHEET 2 OF 3