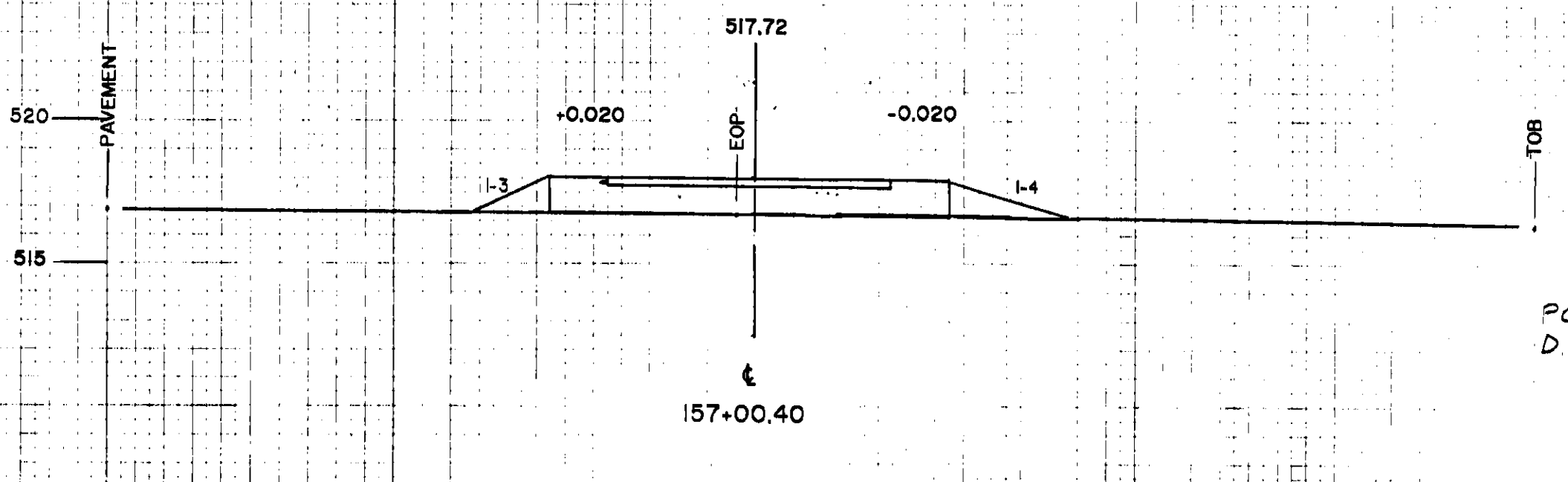
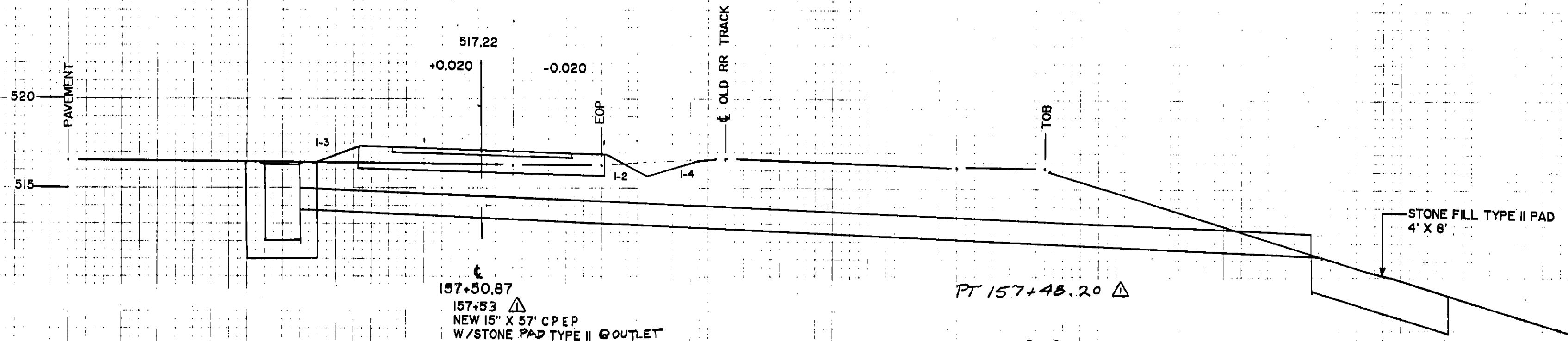
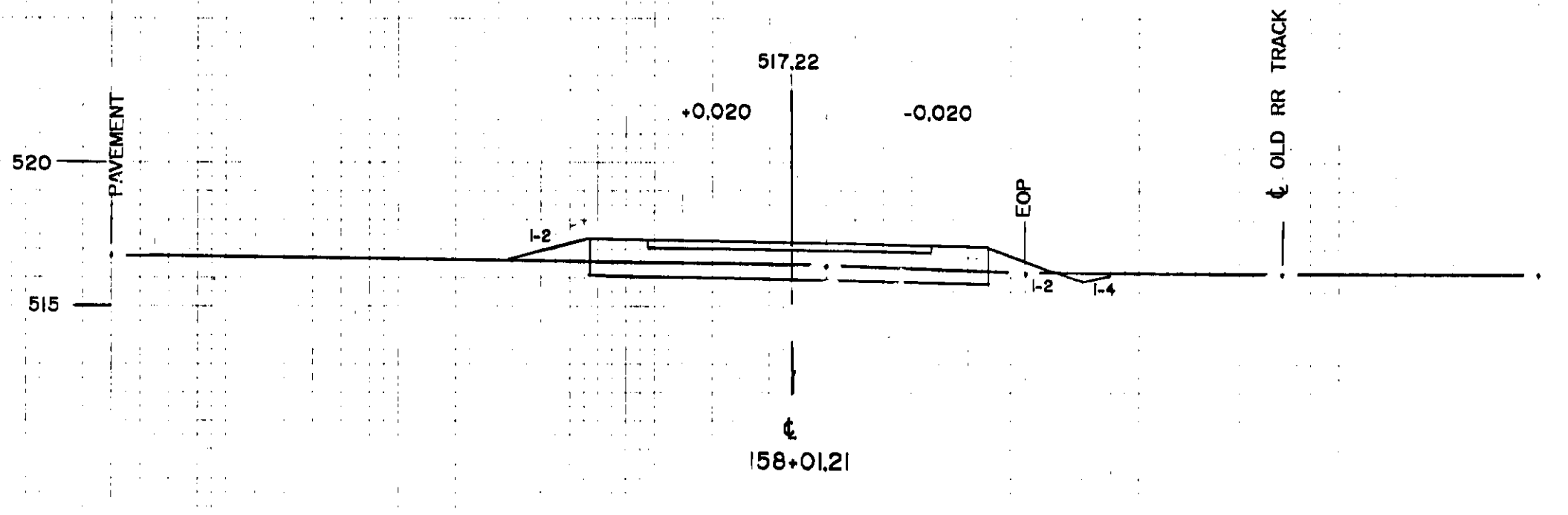
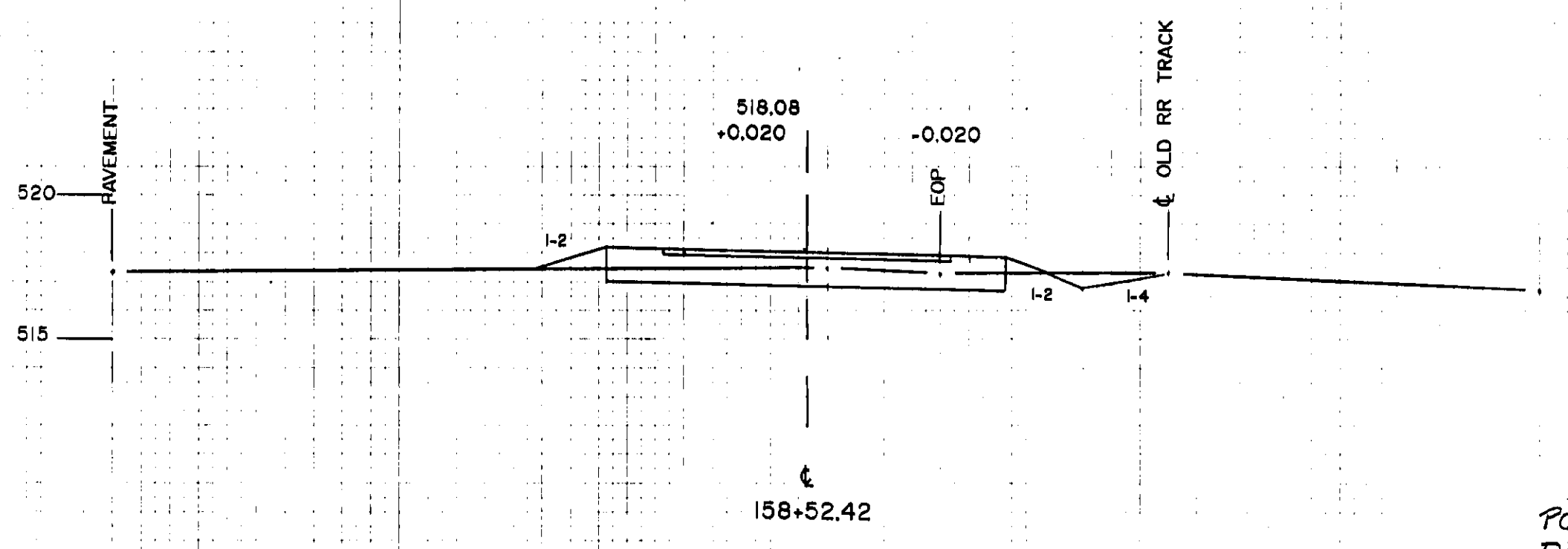
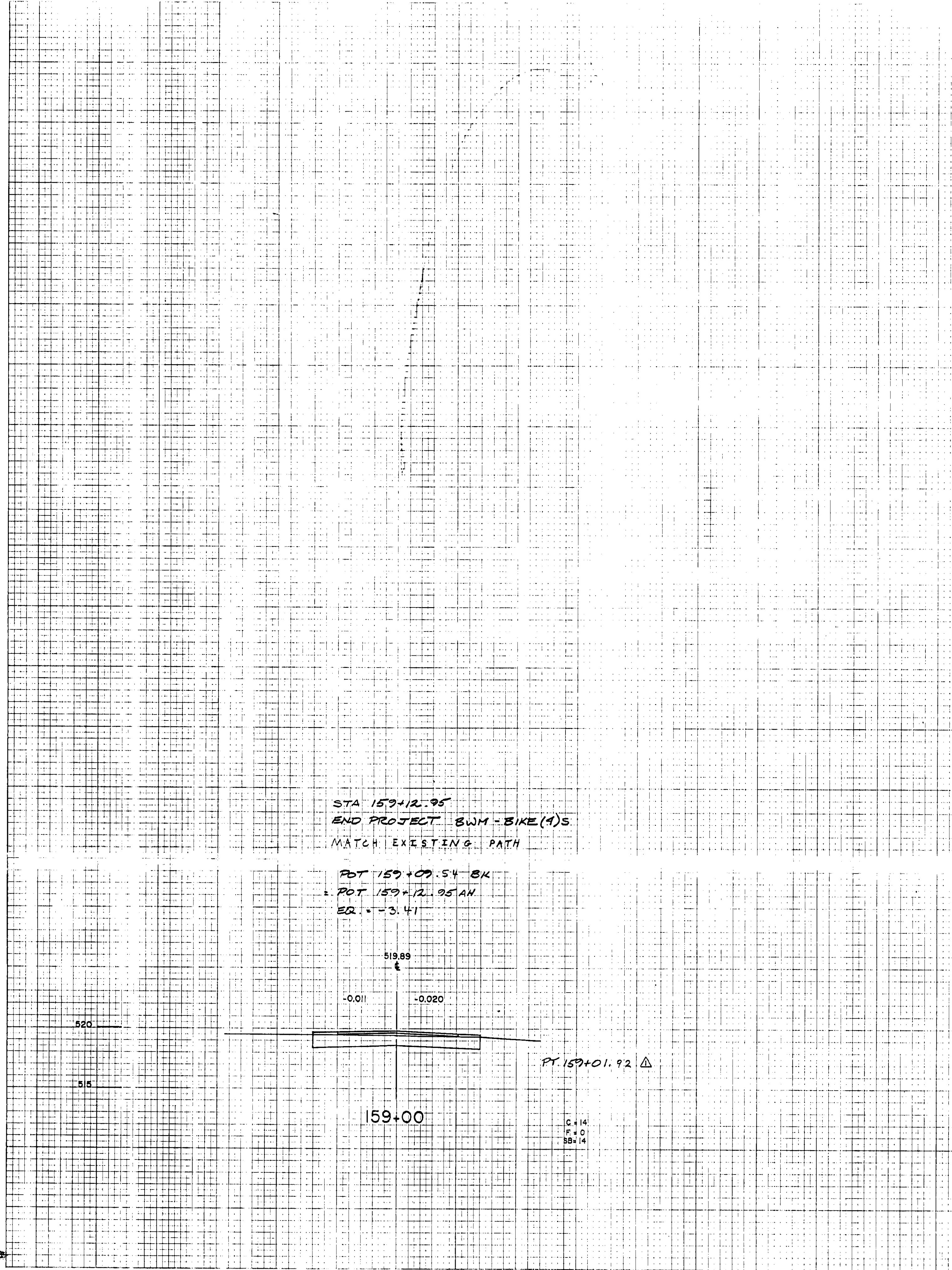


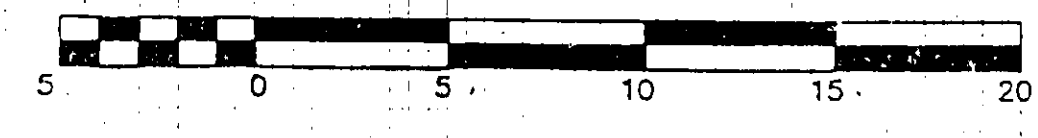
FINAL SURVEY PLATINUM NOTE BOOK NO. AREAS CHECKED

ORIGINAL SURVEY PLATINUM NOTE BOOK NO. AREAS CHECKED



NOTE:
THE PROGRESSION OF CROSS SECTION STATIONING CONTINUES ON THE LEFT SIDE OF THE SHEET BEFORE CONTINUING ON THE FOLLOWING SHEET.

CROSS SECTIONS



#	SUPPLEMENTAL CHANGES	DATE

FROM STA. 157+00 TO STA. 159+00
PROJECT NAME: WINOOSKI RIVER WEST BIKE PATH
NO. BWM-BIKE(4)S
PINKHAM ENGINEERING ASSOCIATES, INC.
SHEET 02 OF 112 SHEETS