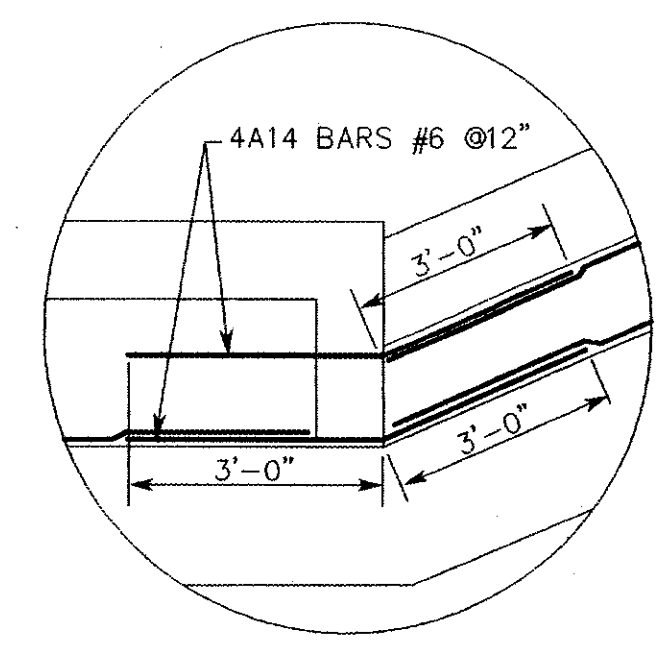
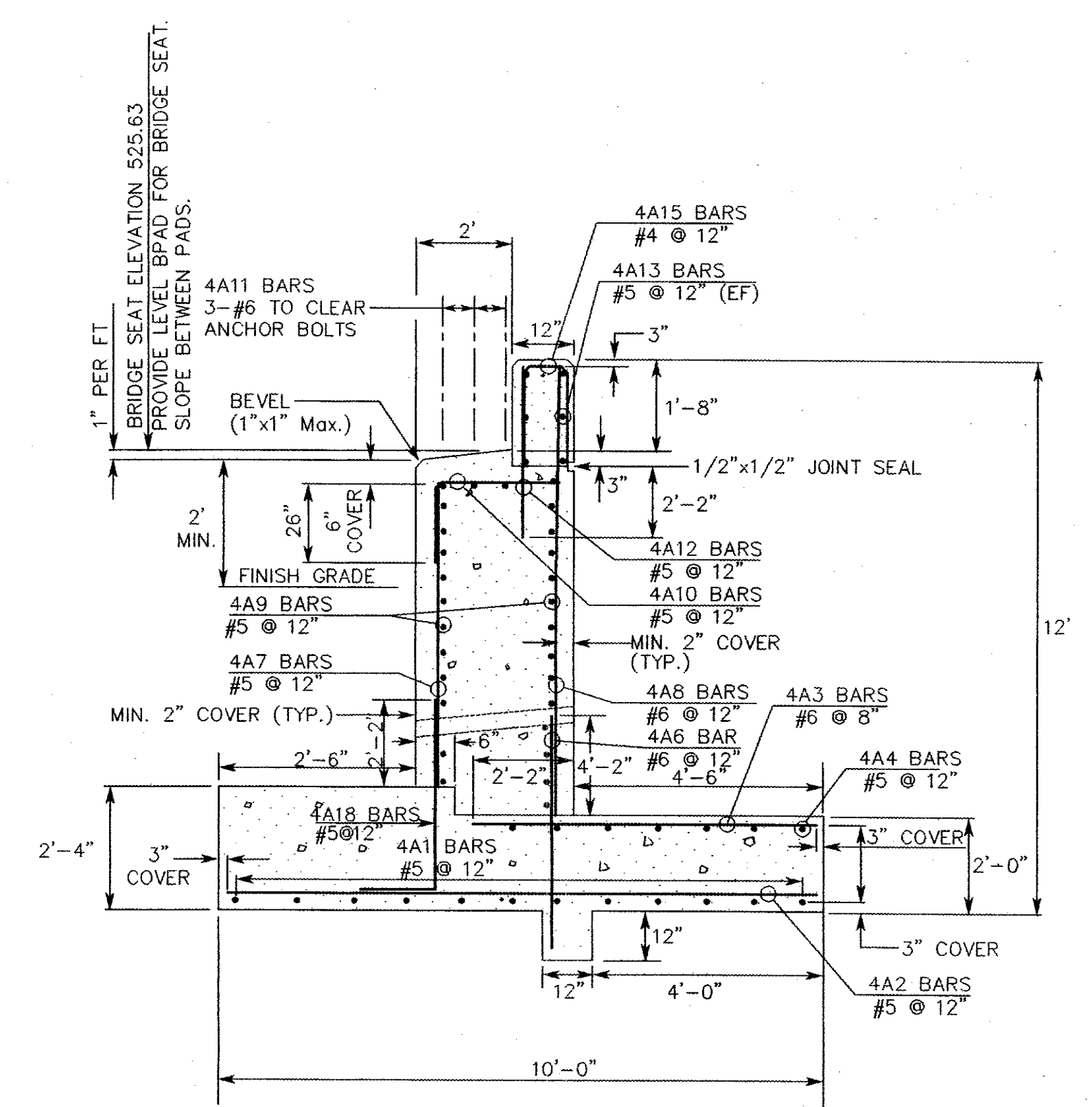


PLAN
SCALE 3/8"=1'-0"

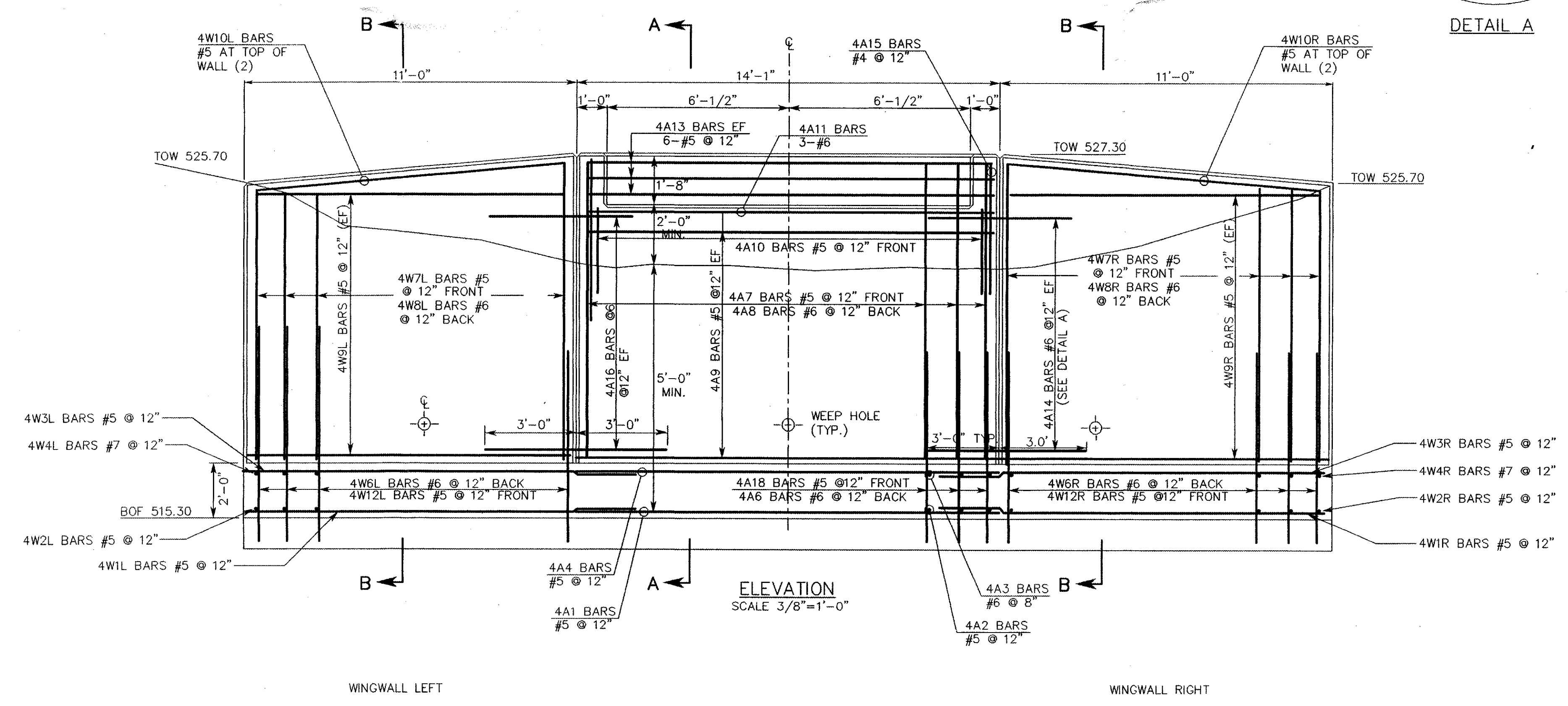


DETAIL A

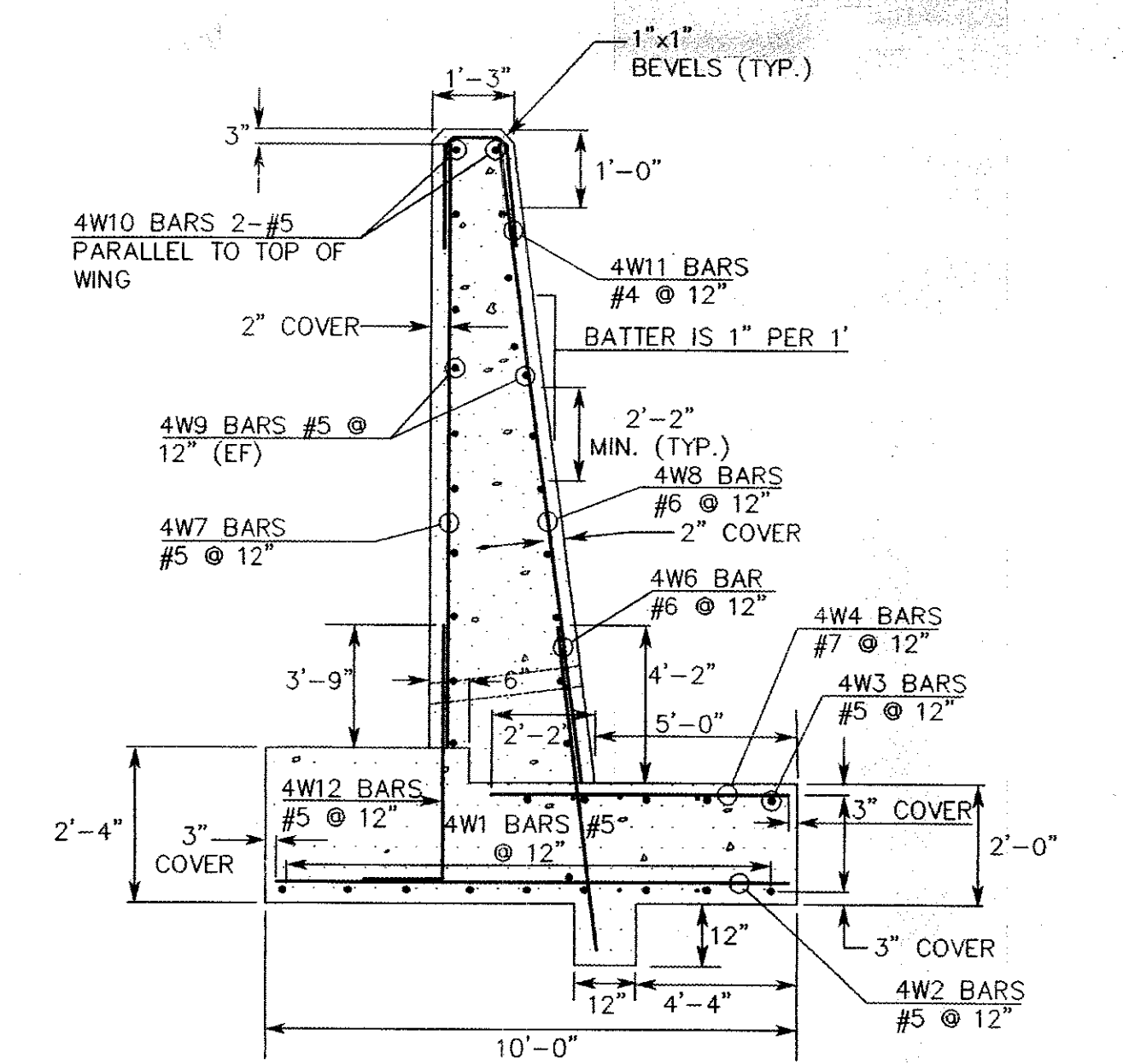


DETAIL OF ABUTMENT
SECTION A-A
SECTION A-A

SEE ABUTMENT DRAINAGE DETAIL SHEET 38.



ELEVATION
SCALE 3/8"=1'-0"



DETAIL OF WINGWALL
SECTION B-B
SCALE 3/8"=1'-0"

BRIDGE NO. 2
ABUTMENT NO. 2

FAX (802)-658-3629 P.E.A. BUS. (802)-658-5588
PINKHAM ENGINEERING ASSOCIATES, INC.
50 Joy Drive, P.O. Box 2225, South Burlington, VT 05407

SURVEYED BY	PEA	DATE	
DRAWN BY	JMM	DATE	
SQUAD LEADER			
DESIGN FILE NO.	6829DET4	DATE	4/9/97
PROJ. NAME	WINOOSKI RIVER WEST BIKEWAY	PLOTTED	
PROJ. NO.	6829		
SHEET	52	OF 132 SHEETS	

REV'D 3/2/99, DFH, CHANGED ABUTMENT DIMENSIONS TO ACCEPT CONFIGURATION OF STEADFAST BRIDGE BEARING PLATES.
REV'D 1/7/98, DFH, CHANGED BARS: 4A14, 4A16, 4W6L, 4W12L, 4W1R, 4W3R