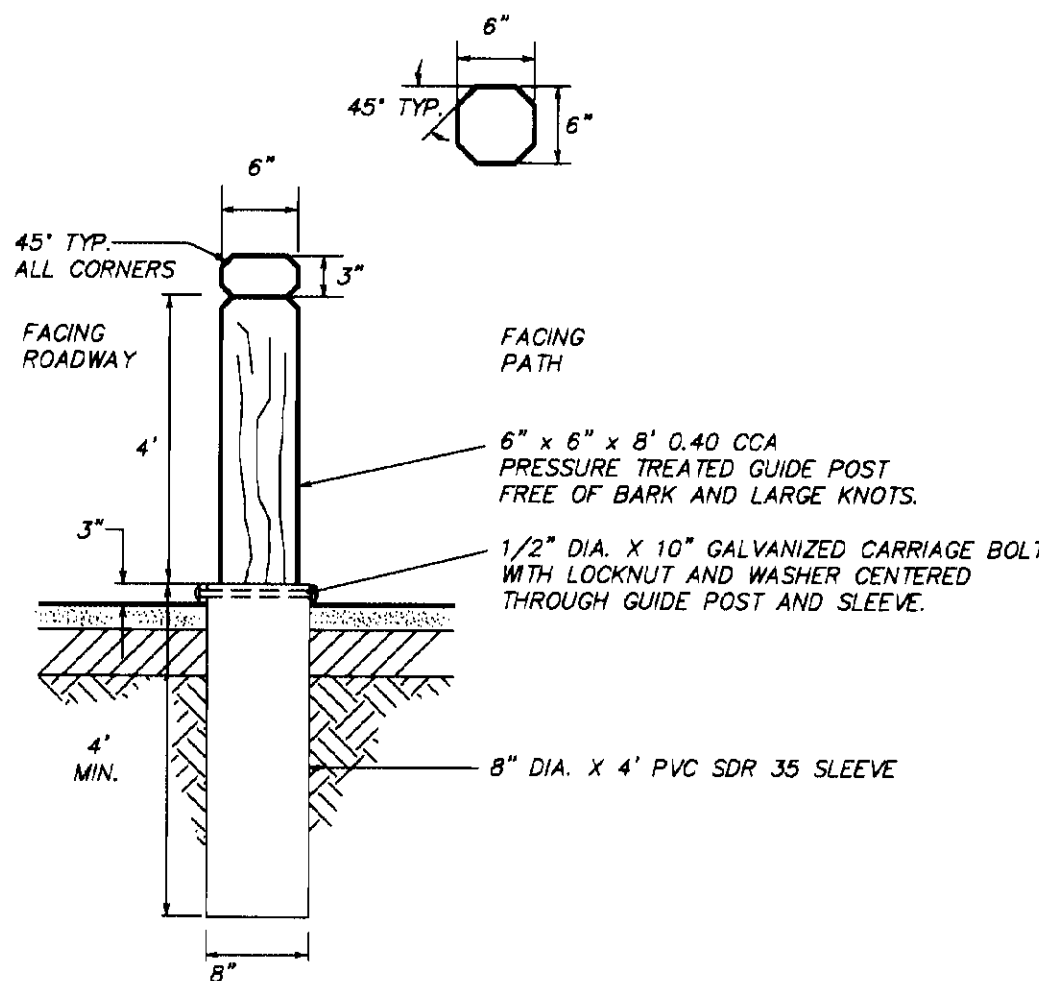


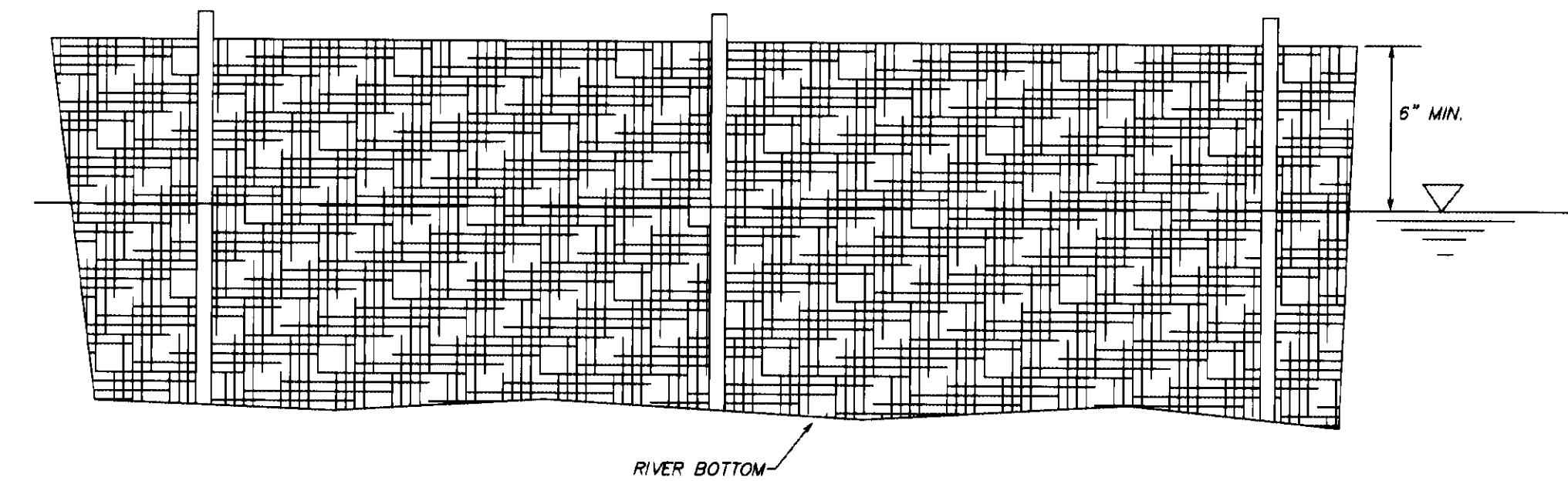
RELOCATED SOFTBALL FIELD TYPICAL
N.T.S.



NOTE: CORNERS OF WOOD BOLLARD MAY REQUIRE CHAMFERING TO PROVIDE ADEQUATE FIT INTO PVC SLEEVE.

WOOD GUIDE POST (MODIFIED)
N.T.S.

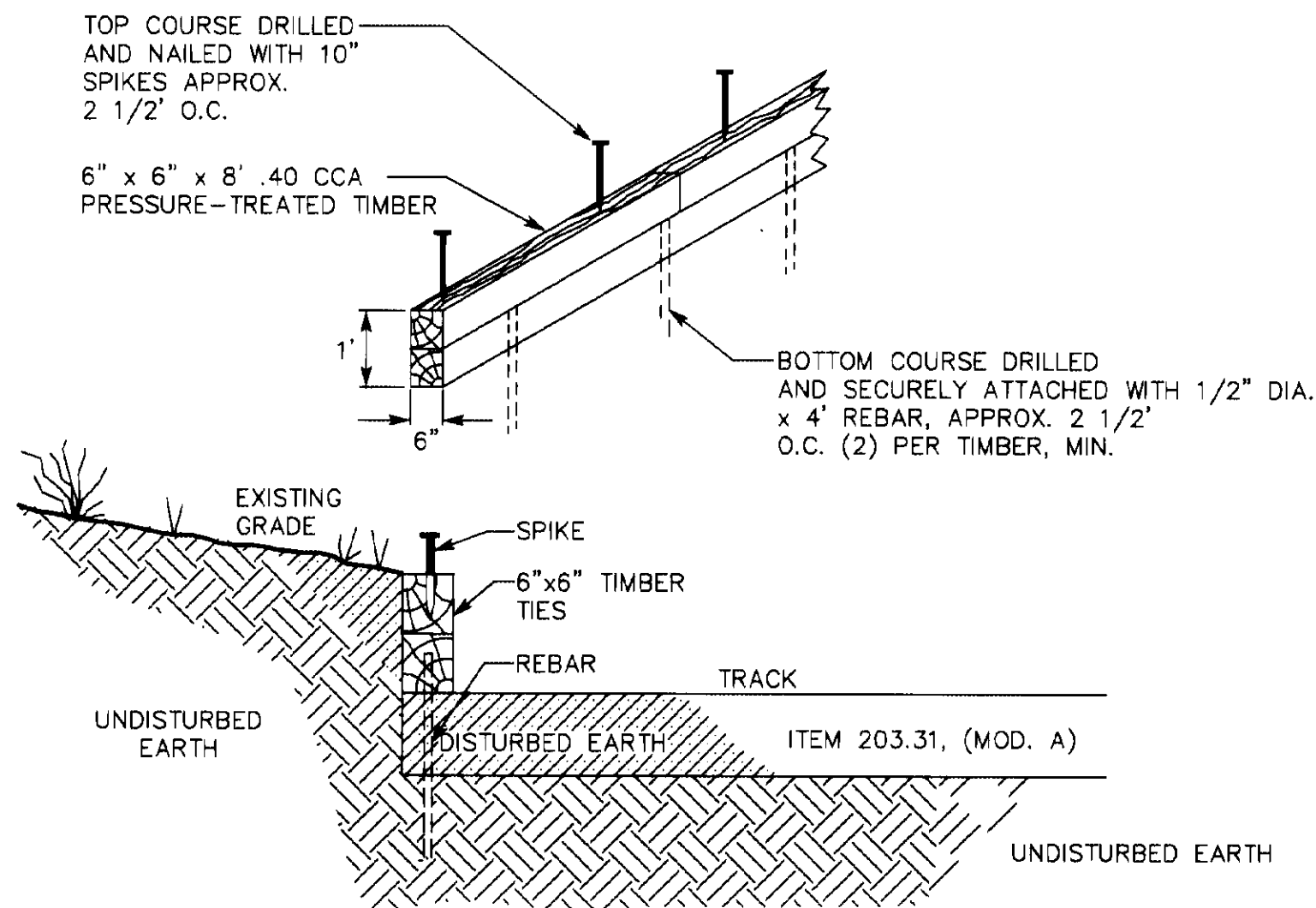
ITEM 621.85, (MOD.)



CONSTRUCT CURTAIN SECURED TO WOODEN OR FLANGED CHANNEL STEEL POSTS OF APPROPRIATE SPACING AND STRENGTH TO WITHSTAND RIVER CONDITIONS AT THE TIME OF CONSTRUCTION. CURTAIN IS TO REMAIN IN PLACE UNTIL CONSTRUCTION IS COMPLETE AND VISIBLE TURBIDITY HAS RETURNED TO NORMAL. REMOVE CAREFULLY TO MINIMIZE RESUSPENSION OF MATERIAL.

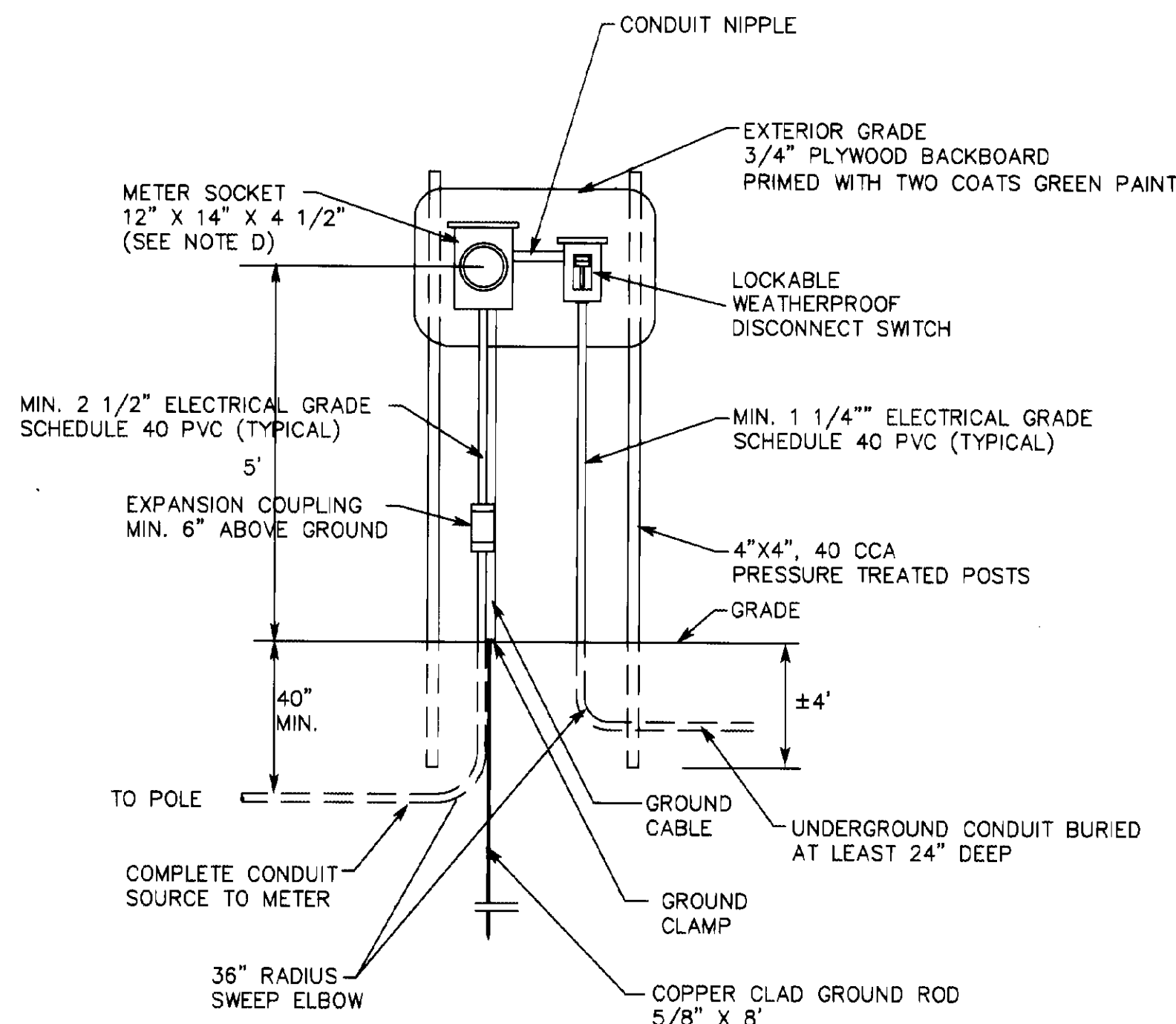
TEMPORARY TURBIDITY CURTAIN TYPICAL
N.T.S.

ITEM 649.61, GEOTEXTILE FOR FILTER CURTAIN



TIMBER RETAINING WALL TYPICAL
N.T.S.

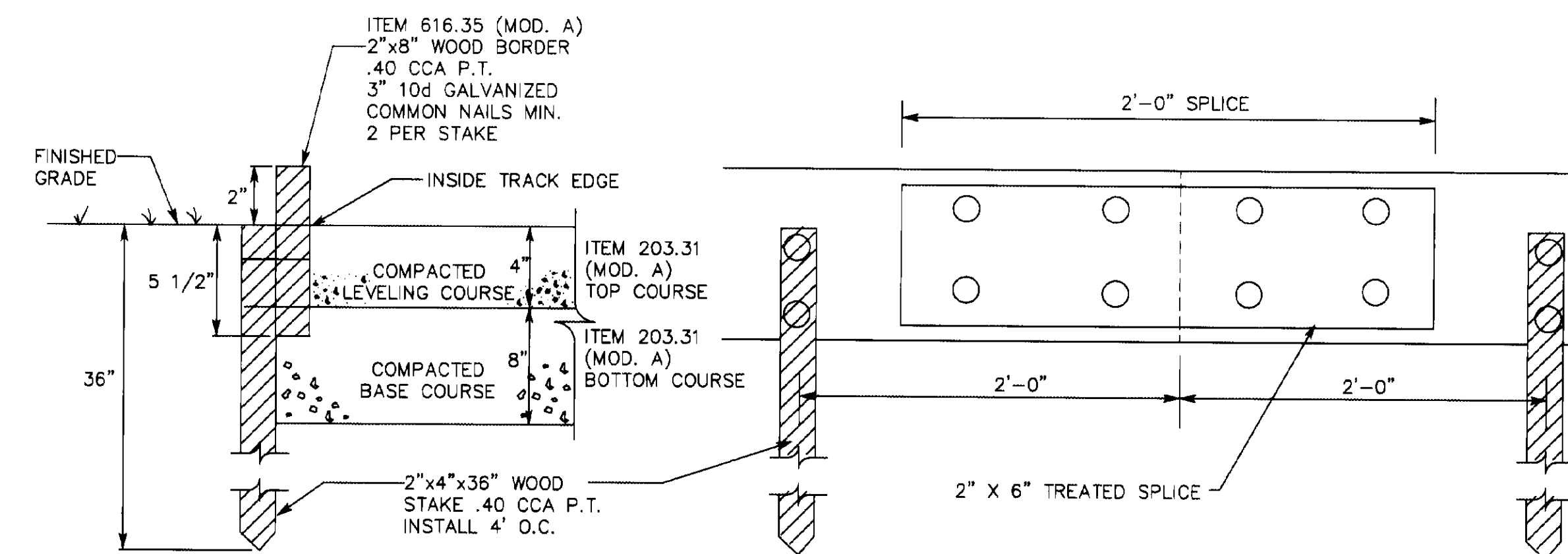
ITEM 616.35, TREATED TIMBER CURB (MOD. B)



METER PEDESTAL TYPICAL
N.T.S.

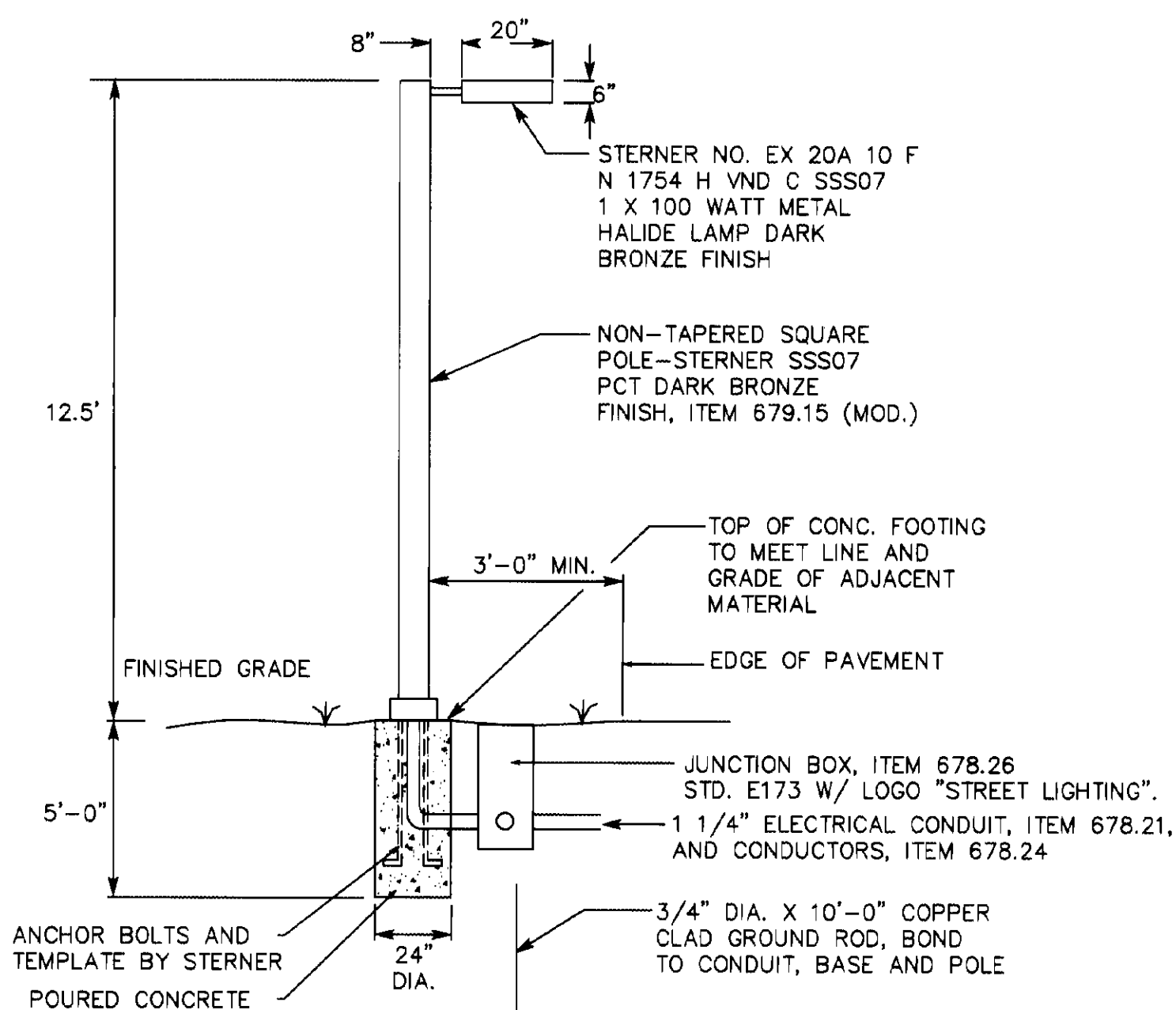
ITEM 679.15 (MOD.)

- LOCATION OF THE PEDESTAL WILL BE DETERMINED BY GMP AND THE ENGINEER.
- TRENCH SHOULD BE DUG MINIMUM OF 18 INCHES WIDE AND 46 INCHES DEEP.
- A PULL ROPE HAVING A MINIMUM PULL STRENGTH OF 240 LBS IS REQUIRED TO BE INSTALLED IN THE CONDUIT BY THE CONTRACTOR.
- IF 350 MCM CABLE IS USED A METER SOCKET WITH A BUSS BAR IS REQUIRED. WILLBANK U9253-0, ANCHOR 1URS1804UG (OR EQUIVALENT) SOCKETS MEET THIS REQUIREMENT.
- THE GROUND CABLE MUST BE CONNECTED IN THE METER SOCKET TO ITS OWN GROUND TERMINAL.



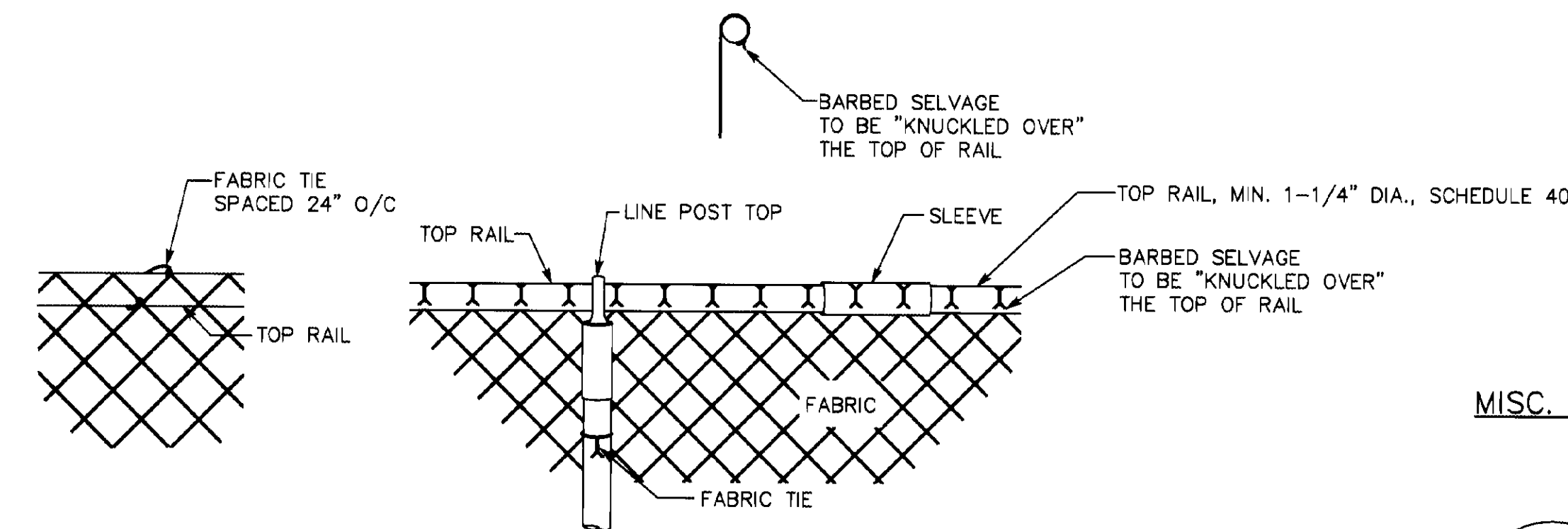
EDGE OF RELOCATED TRACK PAVEMENT
N.T.S.

ITEM 616.35 TREATED TIMBER CURB (MOD. A)



LIGHT POLE
N.T.S.

ITEM 679.15 (MOD.)



FENCE TOP RAIL DETAIL
N.T.S.

MISC. DETAILS

FAX (802)-658-3629 P.E.A. BUS (802)-658-5588

PINKHAM ENGINEERING ASSOCIATES, INC.
50 Joy Drive, P.O. Box 2225, South Burlington, VT 05407

SURVEYED BY	PEA	DATE	
DRAWN BY	NPN/JMM	DATE	
SQUAD LEADER			
DESIGN FILE NO.	6829DET9	DATE	4/9/97
		PLOTTED	
PROJ. NAME	WINOOSKI RIVER WEST		
	BIKEWAY BWM-BIKE(4)S		
PROJ. NO.	6829		
SHEET	37	OF 132 SHEETS	