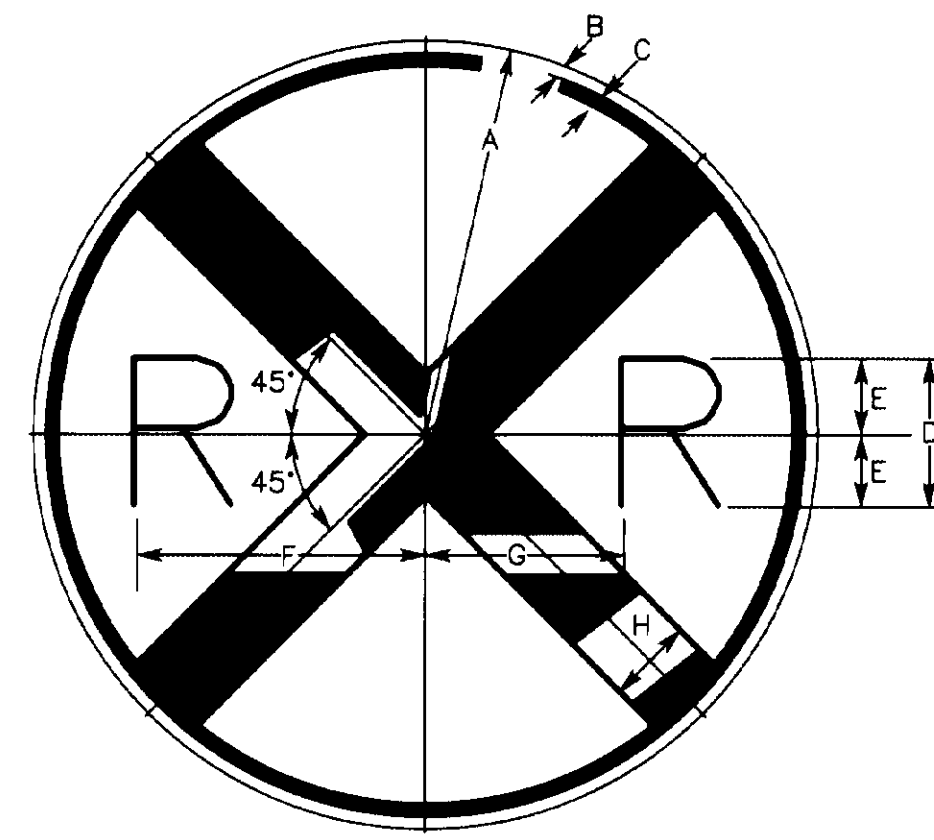


W3-1

SIGN	DIMENSIONS (INCHES)										
	A	B	C	D	E	F	G	H	J	K	L
BIKE	18	3/8	5/8	3D	1-3/4	3/4	3C	4-3/4	5-1/4	5-3/8	1-1/2

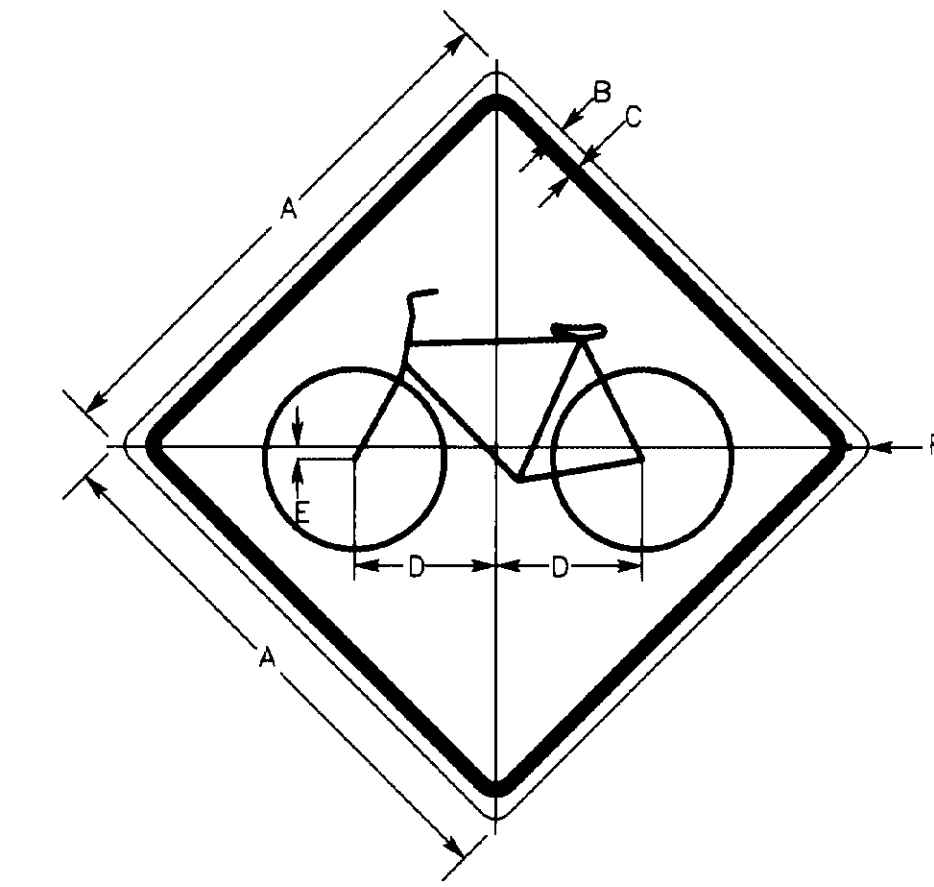
COLORS
LEGEND -BLACK (NON-REFL)
BACKGROUND-YELLOW (REFL)



W10-1

SIGN	DIMENSIONS (INCHES)							
	A	B	C	D	E	F	G	H
MIN.	15	3/8	5/8	7E	3-1/2	12-3/8	7-1/8	3

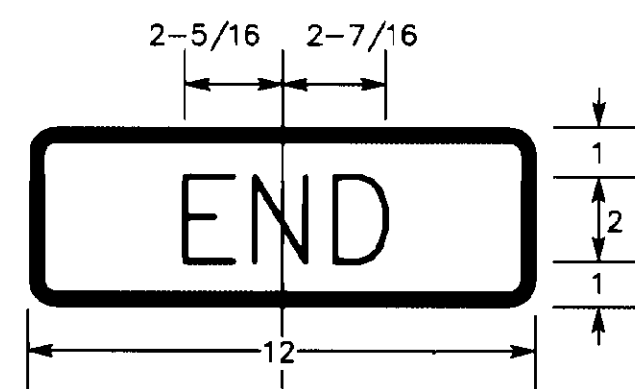
COLORS
LEGEND -BLACK (NON-REFL)
BACKGROUND-YELLOW (REFL)



W11-1

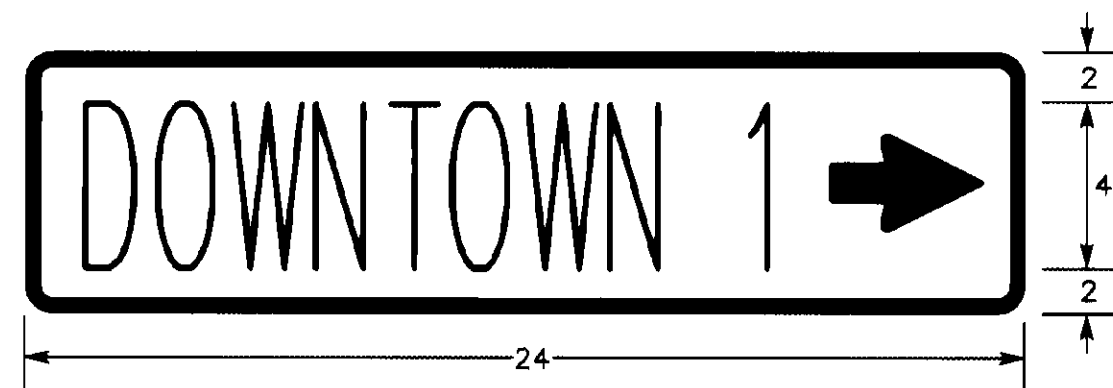
SIGN	DIMENSIONS (INCHES)					
	A	B	C	D	E	F
STD.	24	3/8	5/8	6-11/16	13/16	1-1/2

COLORS
LEGEND -BLACK (NON-REFL)
BACKGROUND-YELLOW (REFL)



M4-12

COLORS
LEGEND -WHITE (REFL)
BACKGROUND-GREEN (REFL)



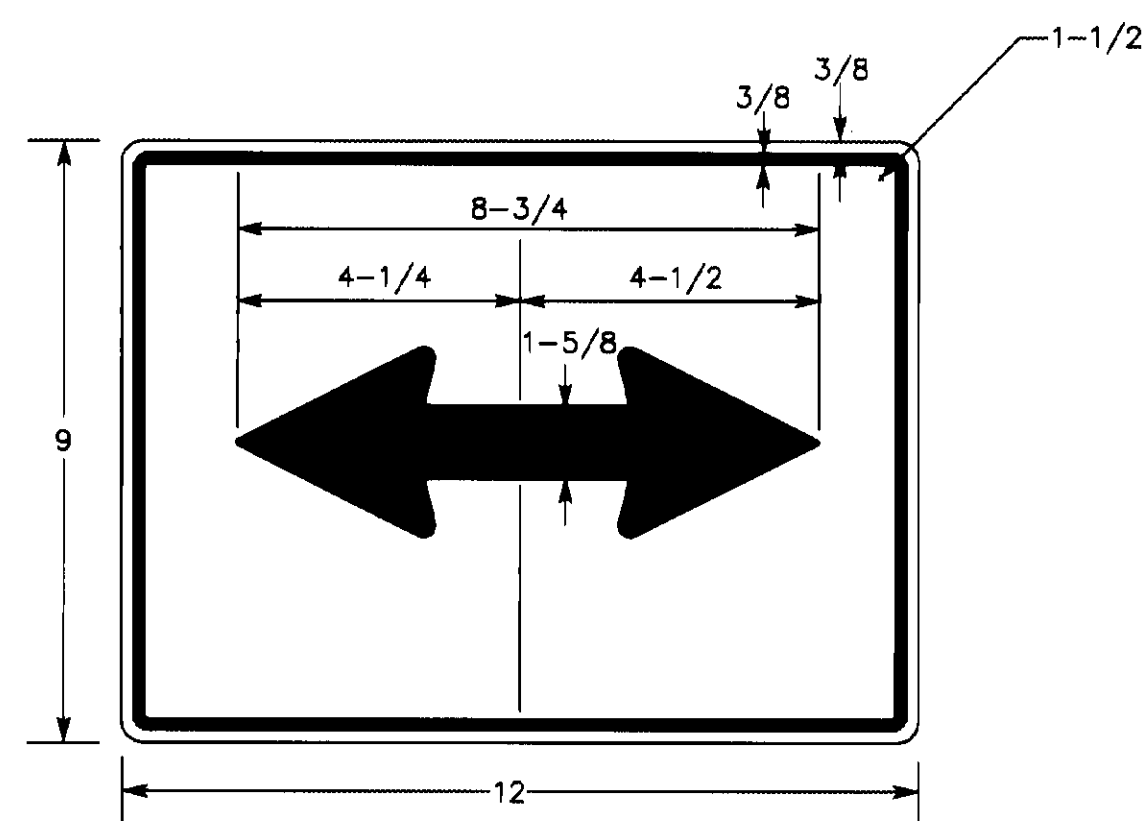
D1-1b(R)

COLORS
LEGEND -WHITE (REFL)
BACKGROUND-GREEN (REFL)



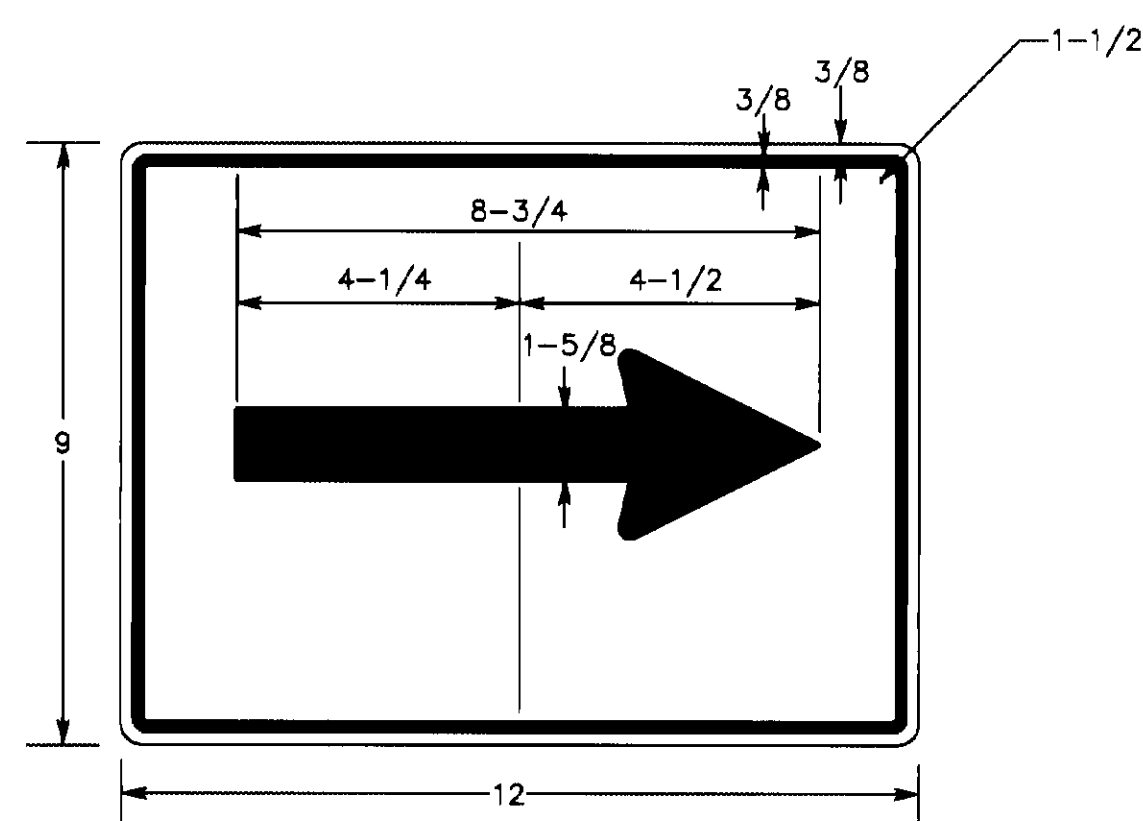
D1-1b(L)

COLORS
LEGEND -WHITE (REFL)
BACKGROUND-GREEN (REFL)



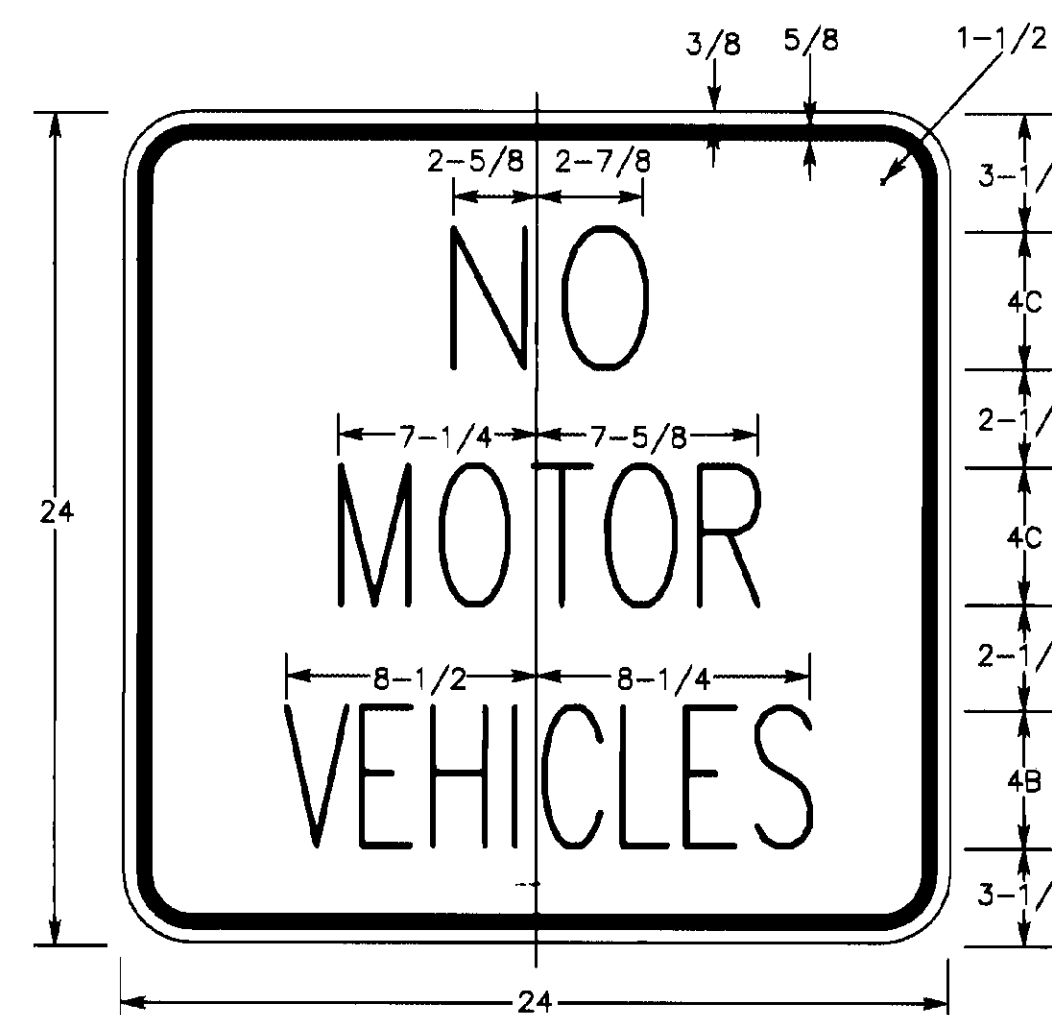
M7-5

COLORS
LEGEND -WHITE (REFL)
BACKGROUND-GREEN (NON-REFL)



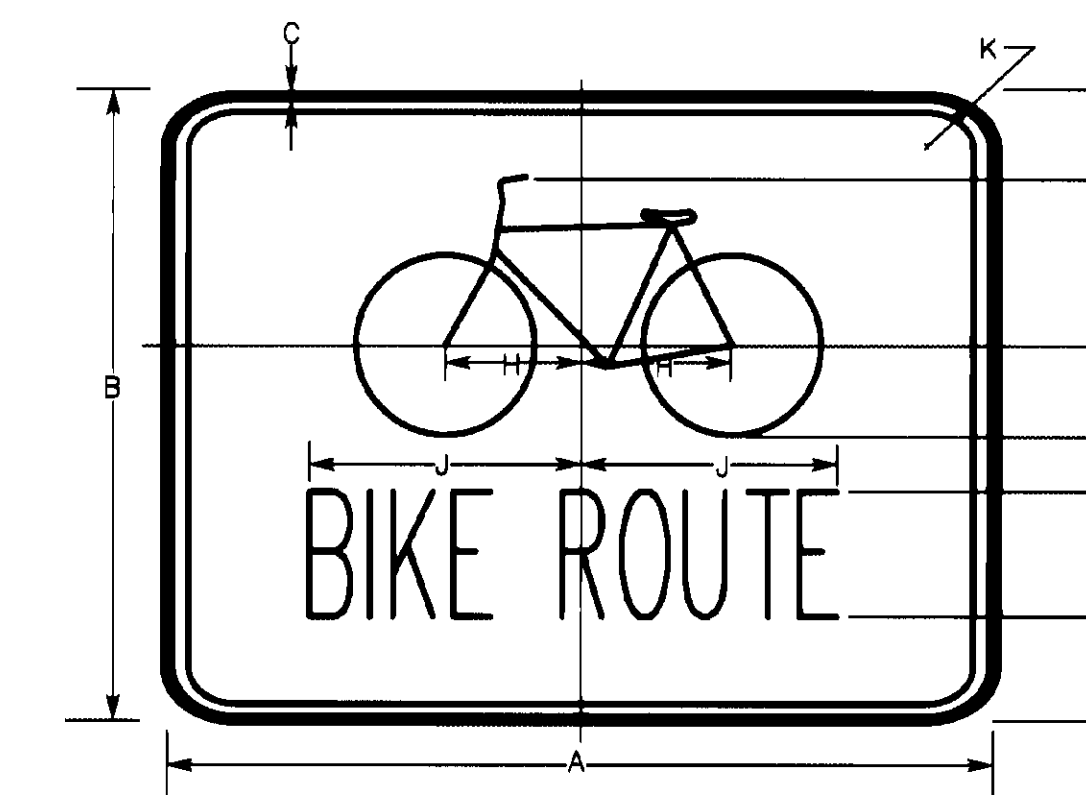
M7-1

COLORS
LEGEND -WHITE (REFL)
BACKGROUND-GREEN (NON-REFL)



R5-3

COLORS
LEGEND -BLACK (NON-REFL)
BACKGROUND-WHITE (REFL)



D11-1

SIGN	DIMENSIONS (INCHES)									
	A	B	C	D	E	F	G	H	J	K
STD-MIN	24	18	1/2	1-1/2	7	3-1/2	3C	5-1/2	9-1/2	1-1/2

COLORS
LEGEND -WHITE (REFL)
BACKGROUND-GREEN

ADDITIONAL PROJECT SIGNS

FAX: (802)-858-3829 BUS: (802)-858-5588

PINKHAM ENGINEERING ASSOCIATES, INC.
The Maltex Building, 431 Pine St., Burlington, VT 05401

SURVEYED BY PEA DATE _____
DRAWN BY NPN DATE _____
SQUAD LEADER _____
DESIGN FILE NO. 6829DET8 DATE 9/25/98
PROJ. NAME WINOOSKI RIVER WEST
BIKEWAY BWM-BIKE(4)S
PROJ. NO. 6829
SHEET 36 OF 132 SHEETS