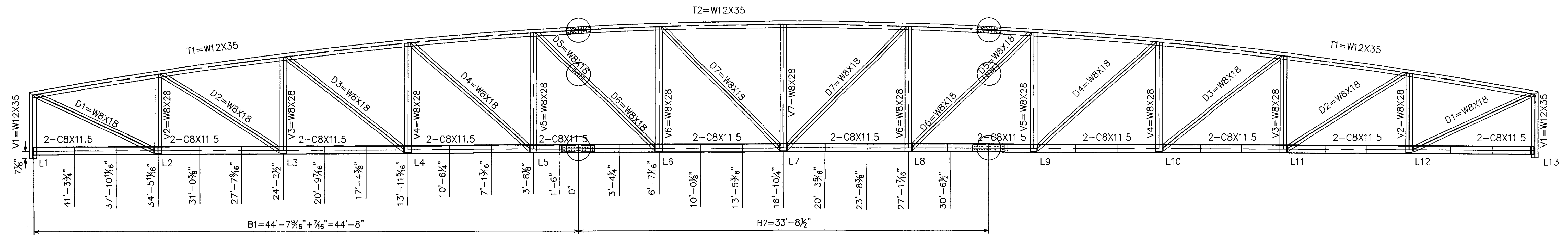
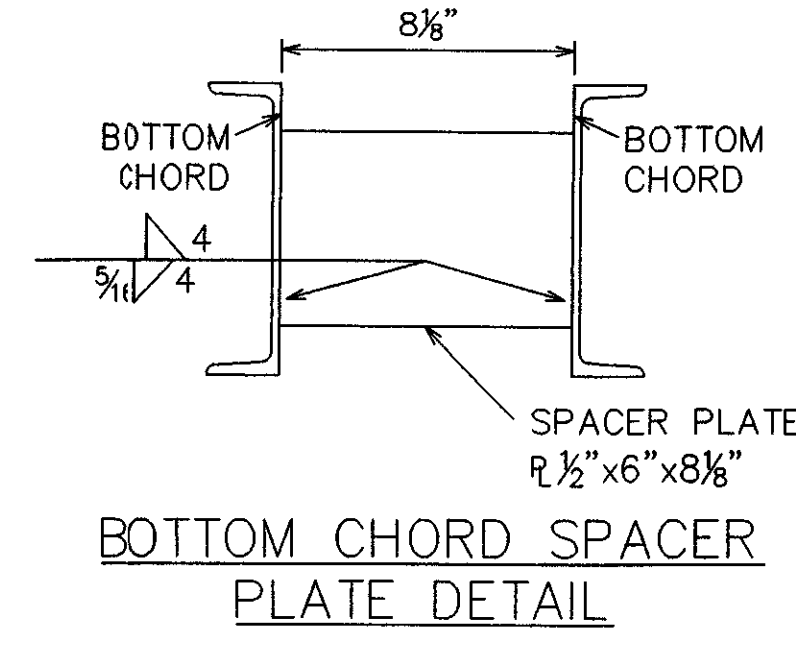
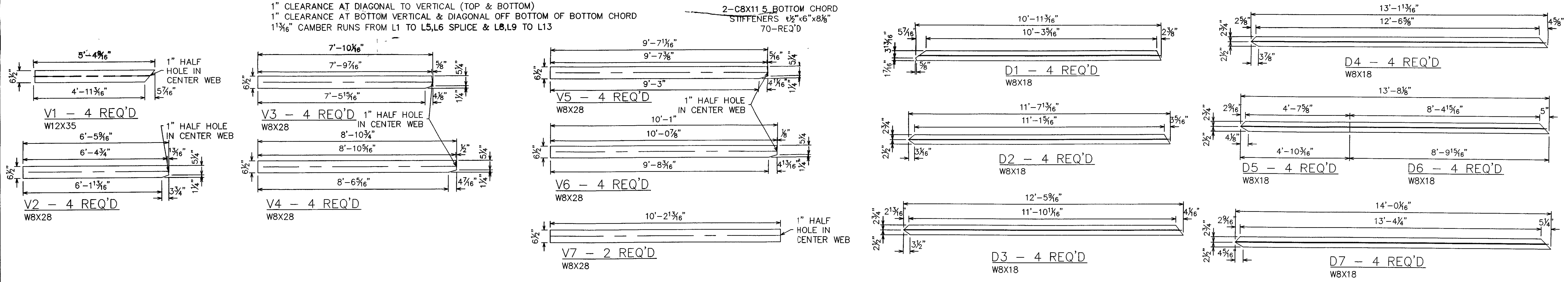


NOTE:  
LAYOUT HEIGHTS INCLUDE DEAD LOAD CAMBERS



LAYOUT DESIGN BASED ON GALVANIZED  
1" CLEARANCE AT DIAGONAL TO VERTICAL (TOP & BOTTOM)  
1" CLEARANCE AT BOTTOM VERTICAL & DIAGONAL OFF BOTTOM OF BOTTOM CHORD  
1 1/16" CAMBER RUNS FROM L1 TO L5, L6 SPLICE & L8, L9 TO L13



RECEIVED  
OK'D BY: HKB OK'D BY:  
AUG 18 2008  
RESUBMIT: \_\_\_\_\_ APPROVED: \_\_\_\_\_  
BY: RGS DATE: 8/25/08

NO	DATE	REVISIONS	BY
1	7-9-08	CONNECTION DETAILS & BEARINGS	CRM
2	8-12-08	REVISED PER REDLINE	CRM

123'-2" C/C BEARINGS  
TOWN OF SWANTON

FRANKLIN COUNTY, VT

DESIGN SCOTT	DRAWN CRM	DATE 4-21-08	DRAWING NO. 80691	SHEET
CHECK/DATE	FABRICATOR US BRIDGE CORP		JOB NO. 41217	4 OF 4

12'-0" CLEAR WALKWAY

NOTE DRAWINGS RELATIVE DO NOT SCALE