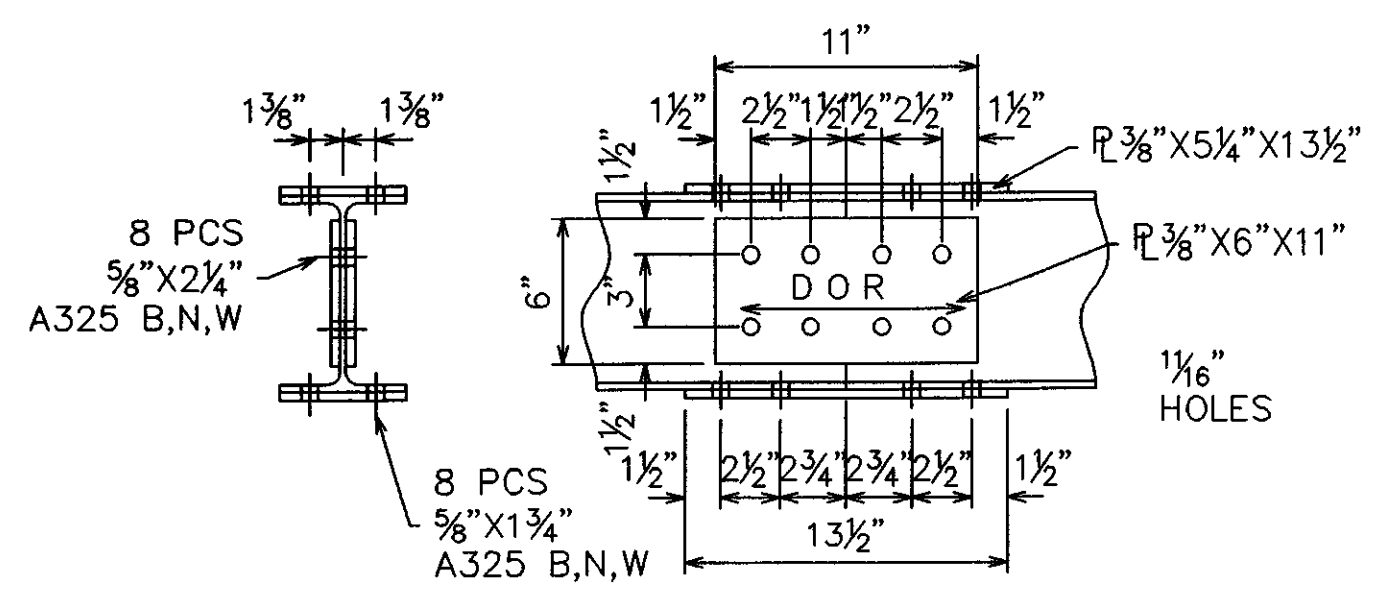
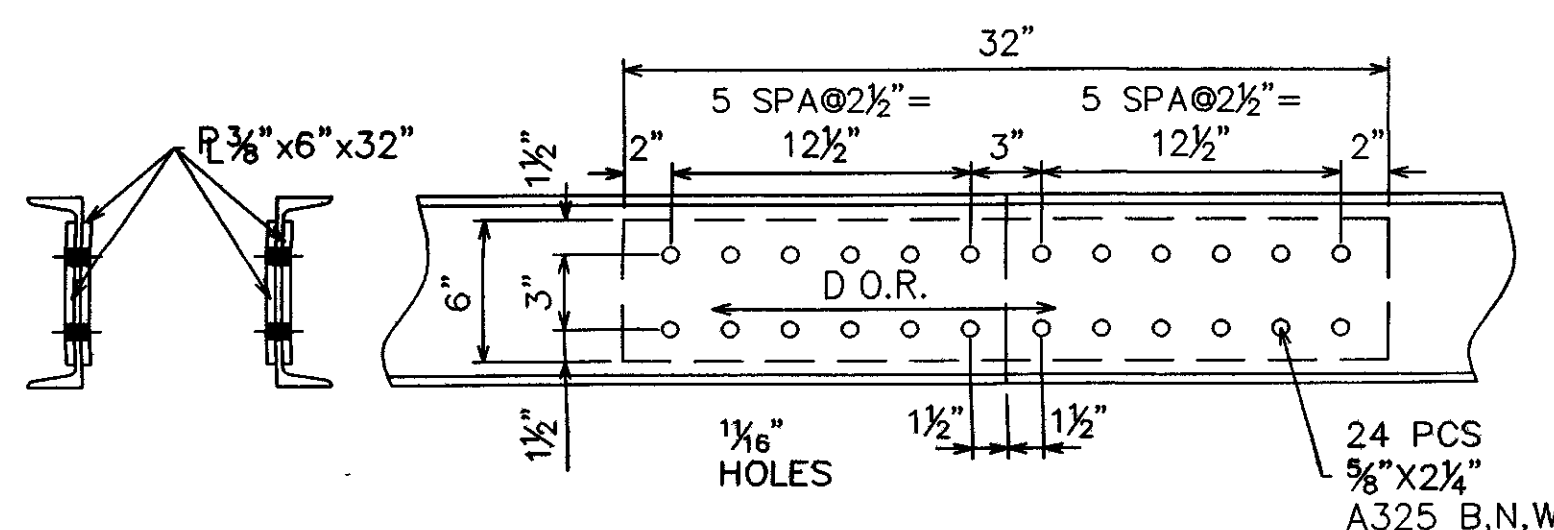


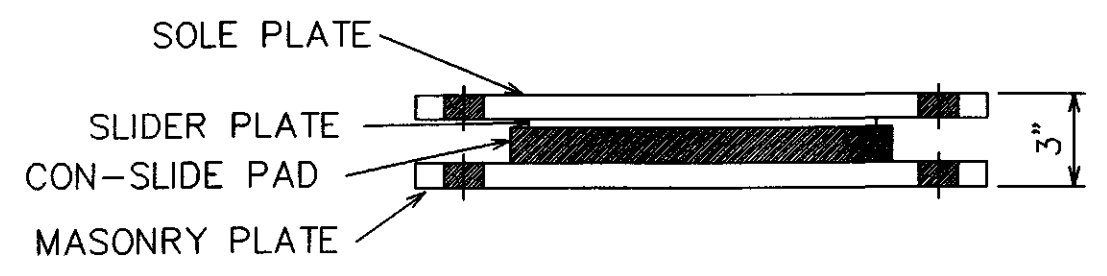
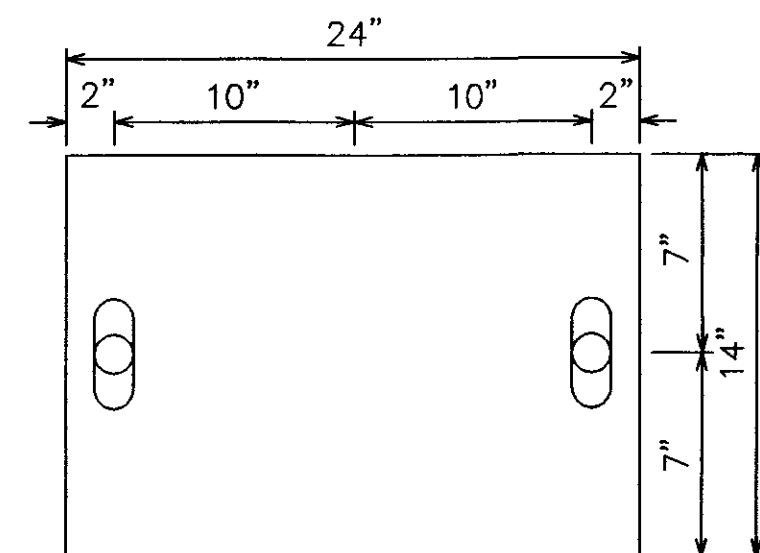
TOP CHORD SPLICE 1/16" HOLES



DIAGONAL SPLICE 1/16" HOLES



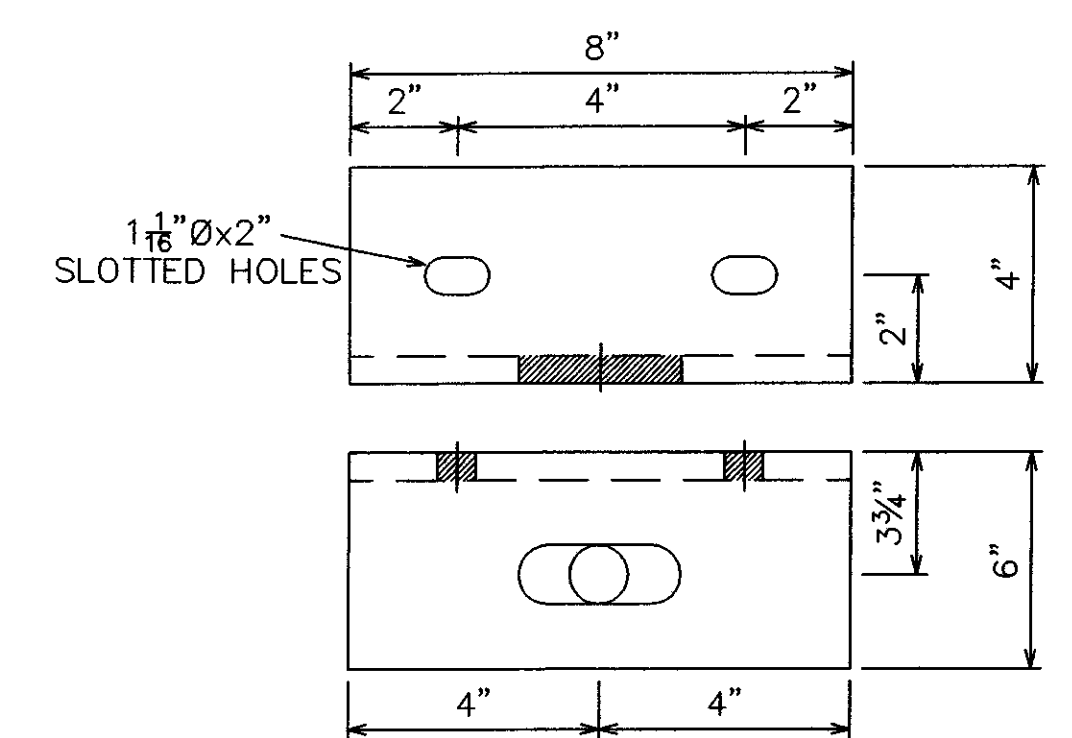
BOTTOM CHORD SPLICE 1/16" HOLES



① TRUSS BEARING PLATES

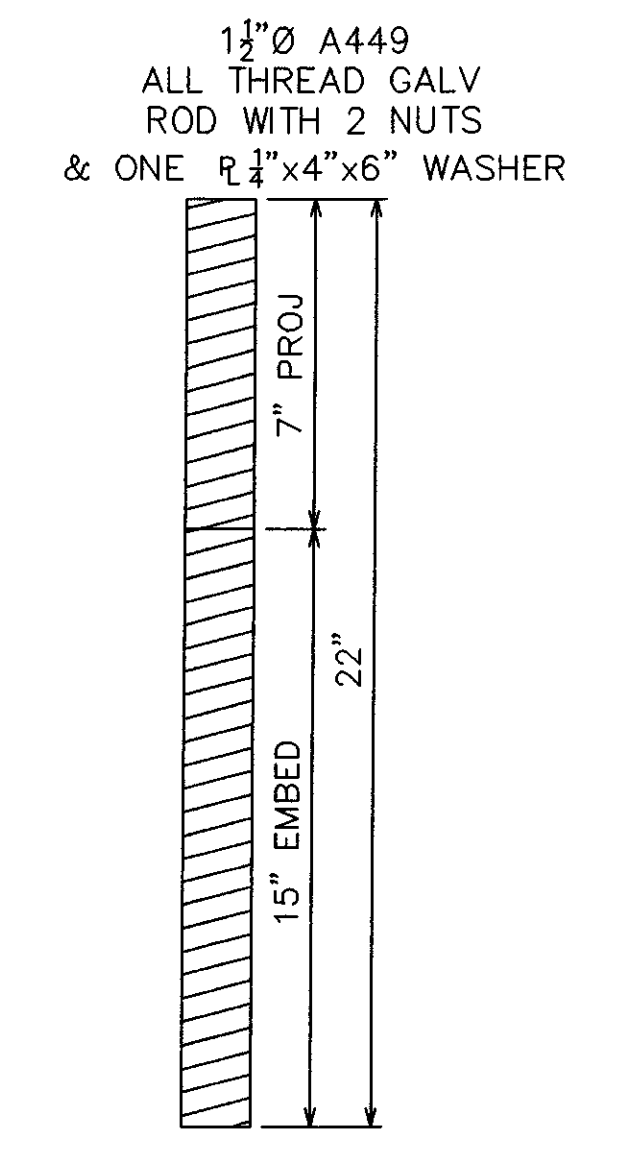
- FIXED BEARINGS**
 2 PCS - SOLE PLATE R 1"x14"x24" W/ 1 3/4"Ø HOLES
 2 PCS - CON-SLIDE PADS ① 8"x13"
 2 PCS - MASONRY PLATE R 1"x14"x24" W/ 1 3/4"Ø HOLES
- EXPANSION BEARINGS**
 2 PCS - SOLE PLATE R 2"x14"x24" W/ 1 3/4"Øx4 1/2" SLOTTED HOLES
 2 PCS - SLIDING PLATE R 2"x12"x15" W/ 20 GA. STAINLESS STEEL PLATE BONDED TO THE BOTTOM
 2 PCS - CON-SLIDE PADS ① 8"x13" W/P/TFE SURFACING
 2 PCS - MASONRY PLATE R 2"x14"x24" W/ 1 3/4"Ø HOLES

* PER LAST SUBMITTAL, AASHTO ROTATION CRITERIA WAS CITED, BUT TO COMPLY WITH VAOT STRUCTURE MANUAL, SECTION 23.15 AND FIGURE 23-3, PLEASE INCREASE BEARING THICKNESS TO 1 1/2".



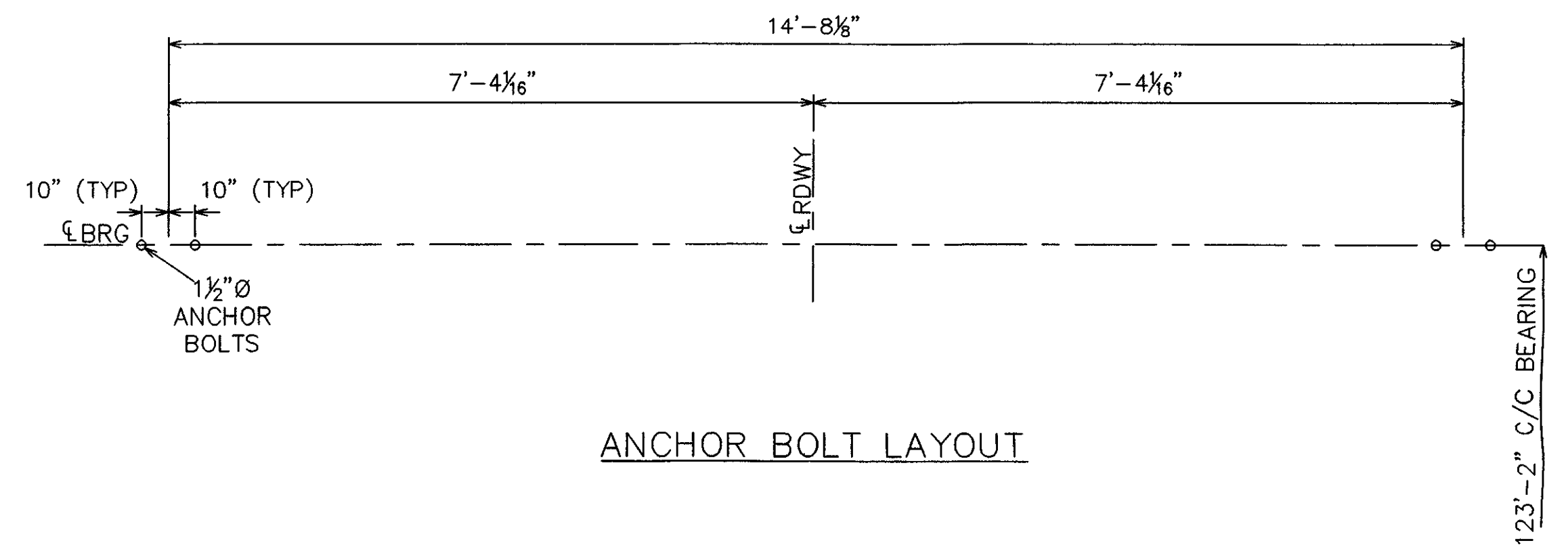
TRUSS BEARING ANGLES ①

- L6"x4"x1/2"
 4 W/ 1 3/4"Øx4 1/2" SLOTTED HOLES
 4 W/ 1 3/4"Ø HOLES

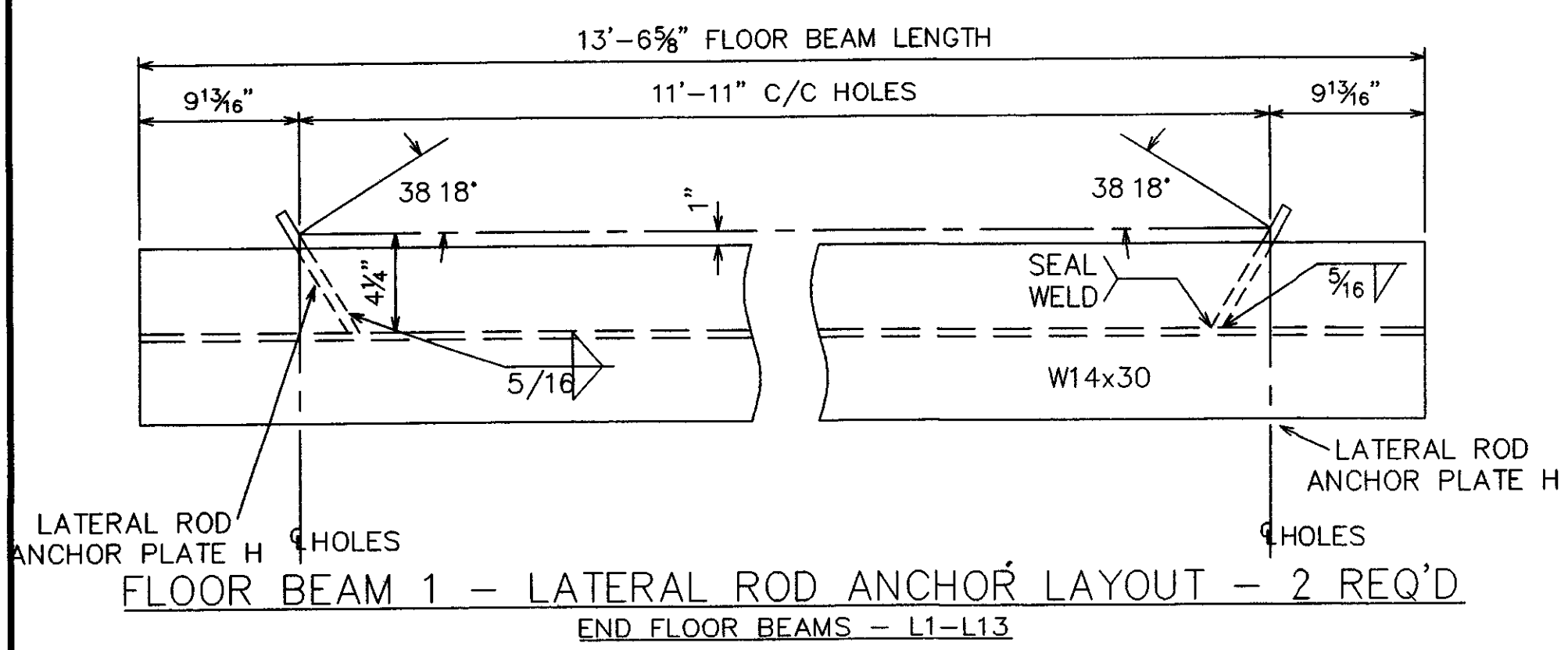


TRUSS ANCHOR BOLT 8 REQ'D

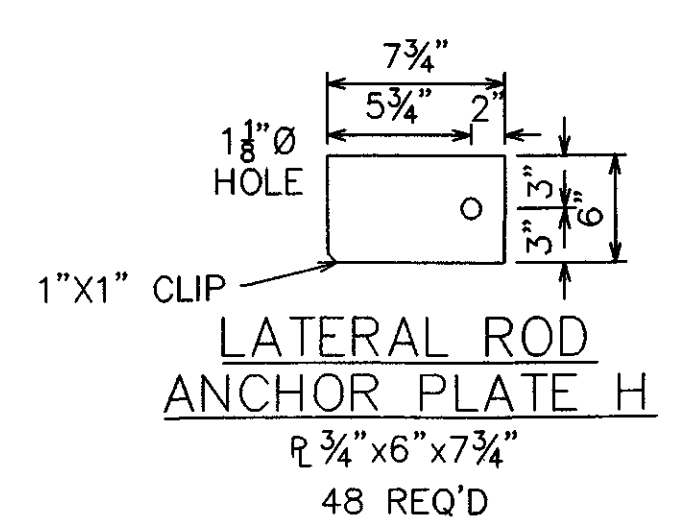
RECEIVED
 CK'D BY: HKB OK'D BY:
 AUG 18 2008
 RESUBMIT APPROVED
 BY: RGS DATE: 8/25/08



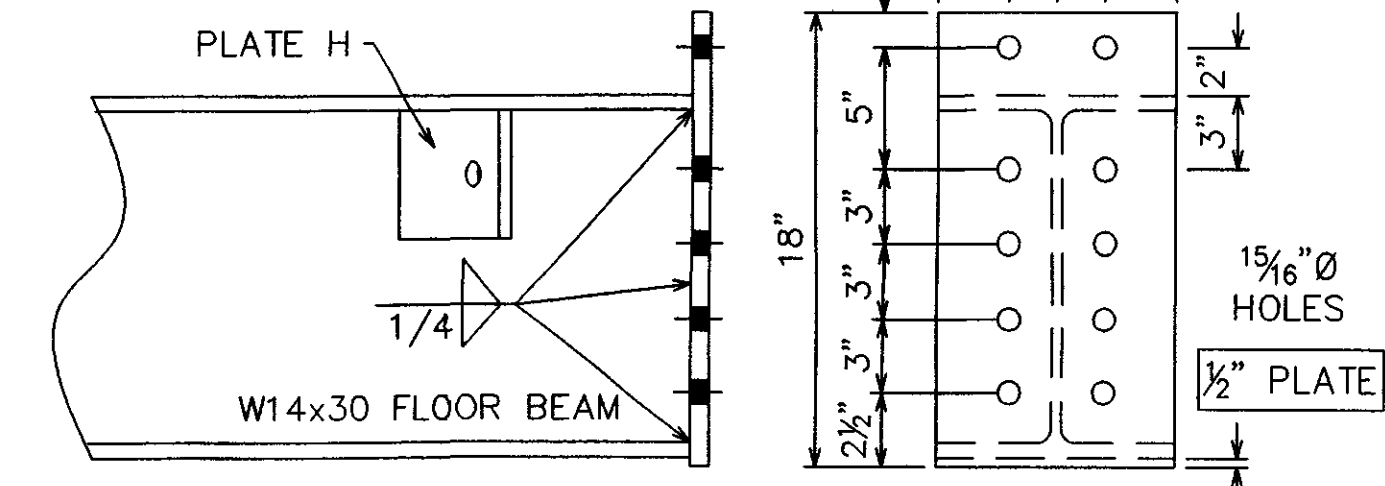
ANCHOR BOLT LAYOUT



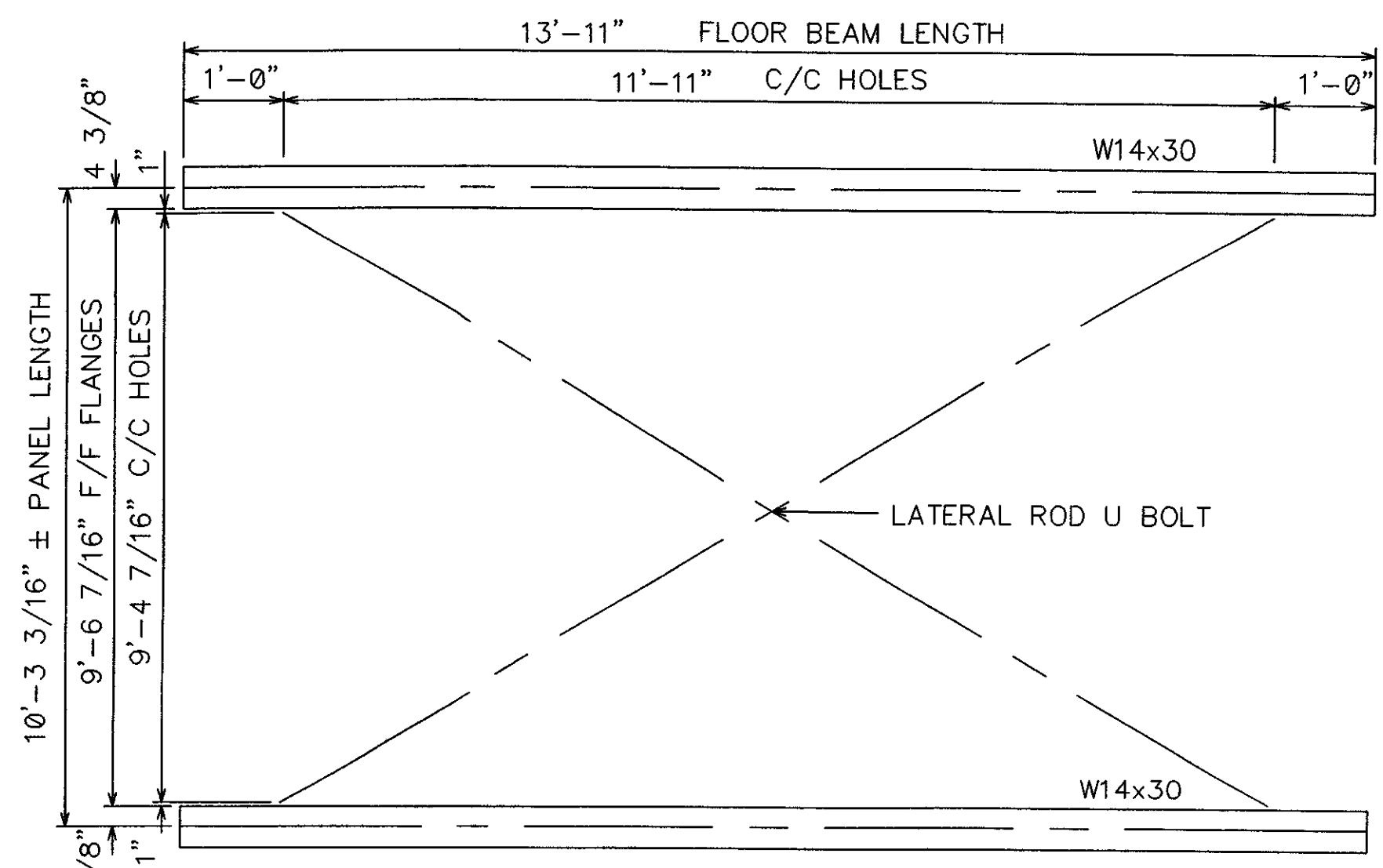
FLOOR BEAM 1 - LATERAL ROD ANCHOR LAYOUT - 2 REQ'D
 END FLOOR BEAMS - L1-L13



LATERAL ROD ANCHOR PLATE H 48 REQ'D



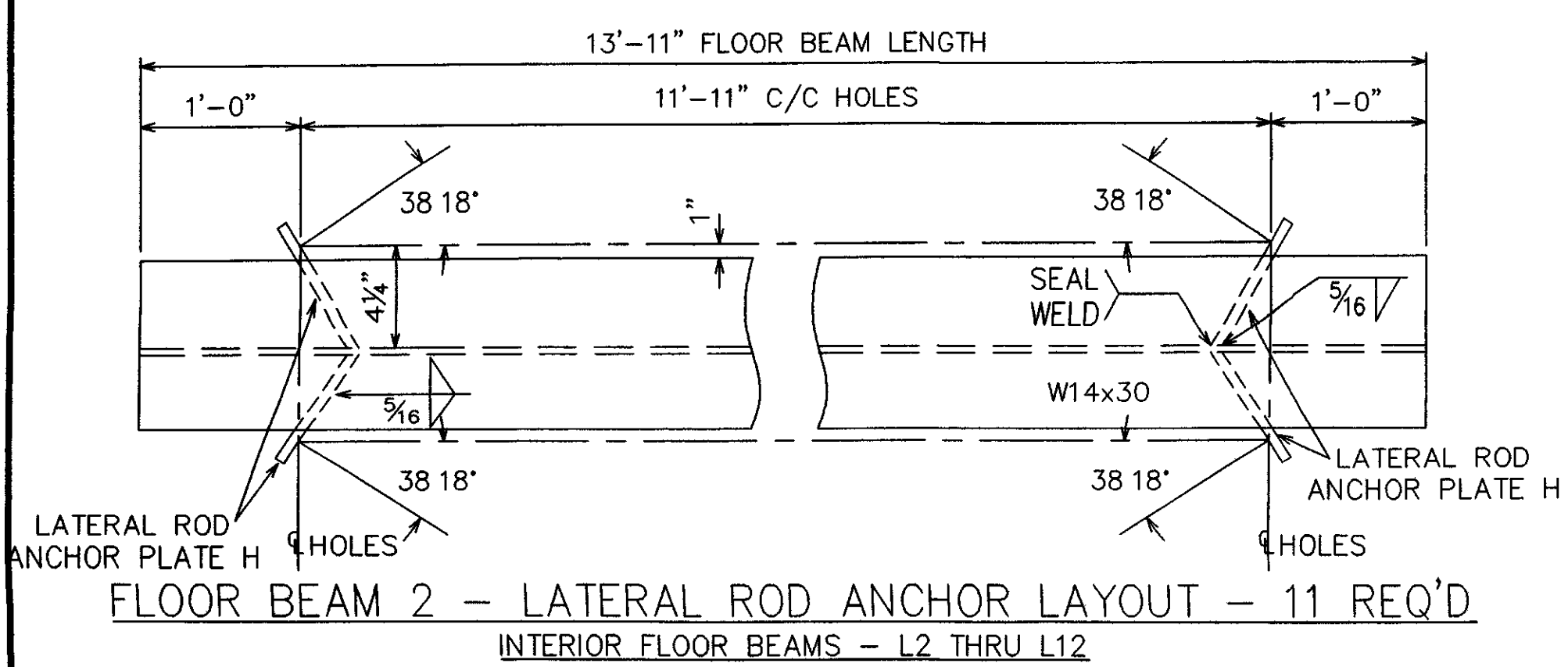
FLOOR BEAM END PLATE DETAIL - 26 REQ'D



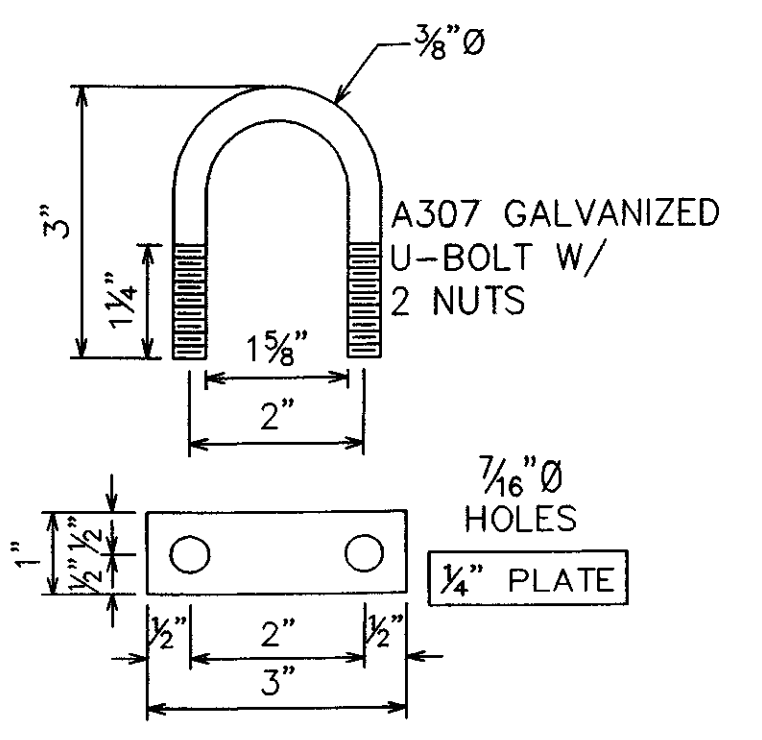
ANGLE CALC = $\frac{9.37}{11.92} = 0.79 = 38.18^\circ$
 LENGTH CALC = $\frac{11.92}{\cos 38.18} = 15.16'$

LATERAL ROD LENGTHS

24 PCS - 1"Ø ROD - 15'-9" WITH 6" THREAD, NUT & WASHER EACH END



FLOOR BEAM 2 - LATERAL ROD ANCHOR LAYOUT - 11 REQ'D
 INTERIOR FLOOR BEAMS - L2 THRU L12



LATERAL ROD U BOLT - 12 REQ'D

NOTE DRAWINGS RELATIVE DO NOT SCALE

NO.	DATE	REVISIONS	BY	123'-2" C/C BEARINGS	12'-0" CLEAR WALKWAY
1	7-9-08	CONNECTION DETAILS & BEARINGS	CRM	TOWN OF SWANTON	
2	8-12-08	REVISED PER REDLINE	CRM		
FRANKLIN COUNTY, VT					
DESIGN SCOTT		DRAWN. CRM		DATE 4-21-08	DRAWING NO 80691
CHECK/DATE		FABRICATOR US BRIDGE CORP		JOB NO 41217	SHEET 3 OF 4