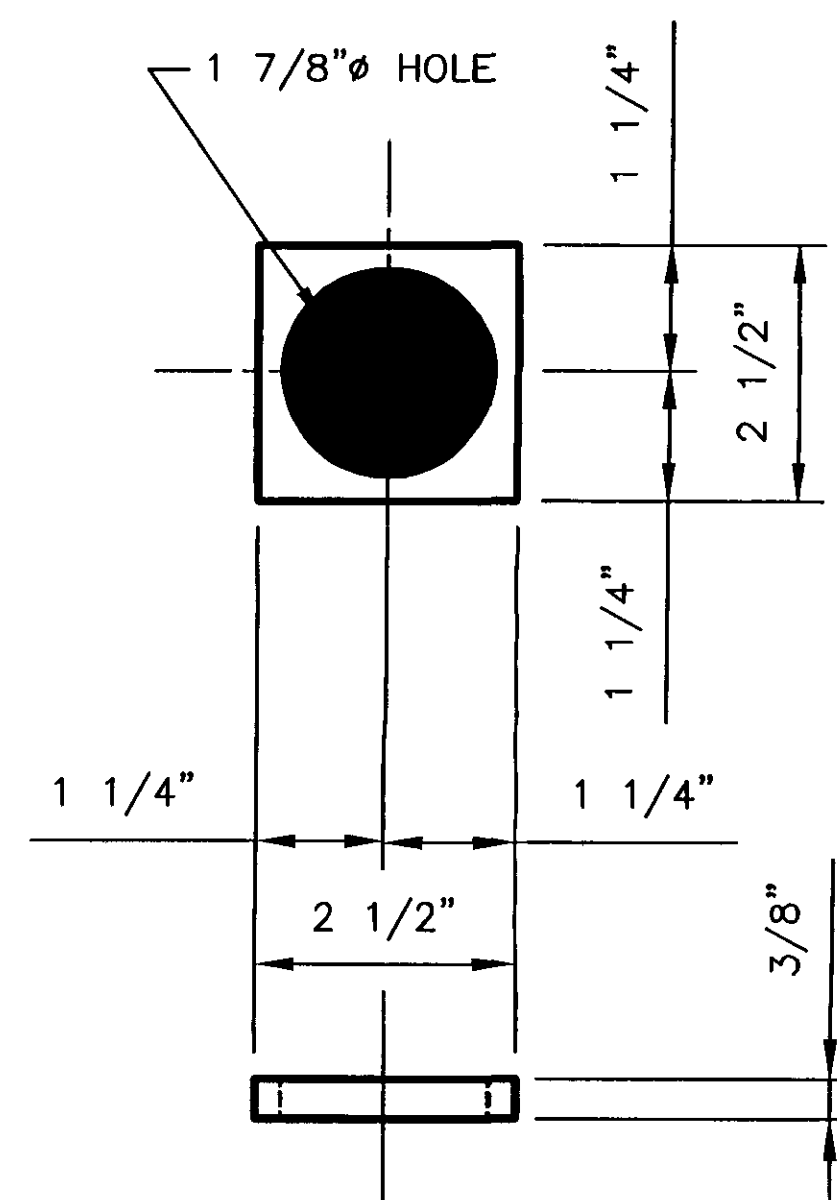
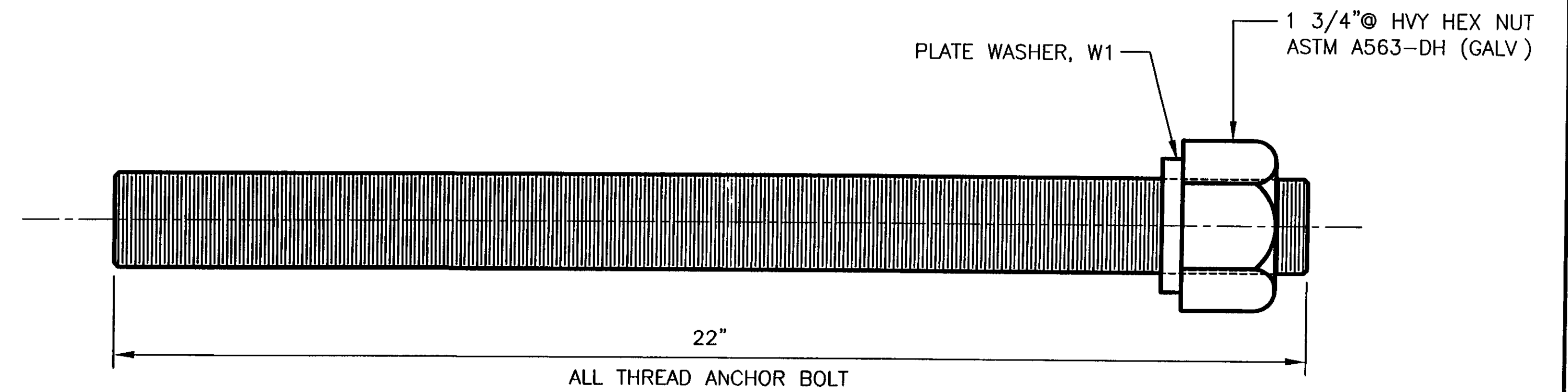


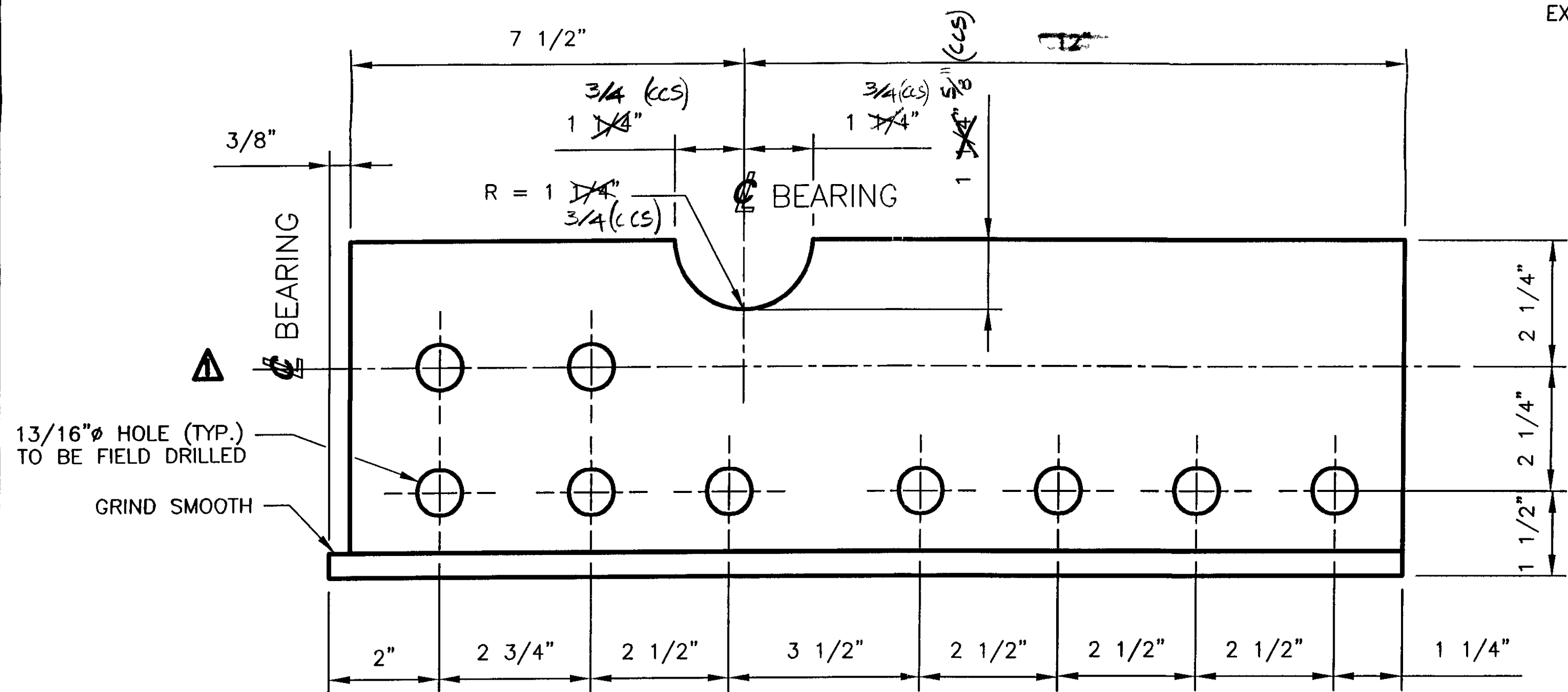
TOP VIEW



8 PLATE WASHER, W1
 PLATE 3/8" x 2 1/2" x 2 1/2"
 ASTM A709 GR 50 (GALVANIZED)
 LOCATED AT
 EXPANSION BEARING ASSEMBLY, EB1

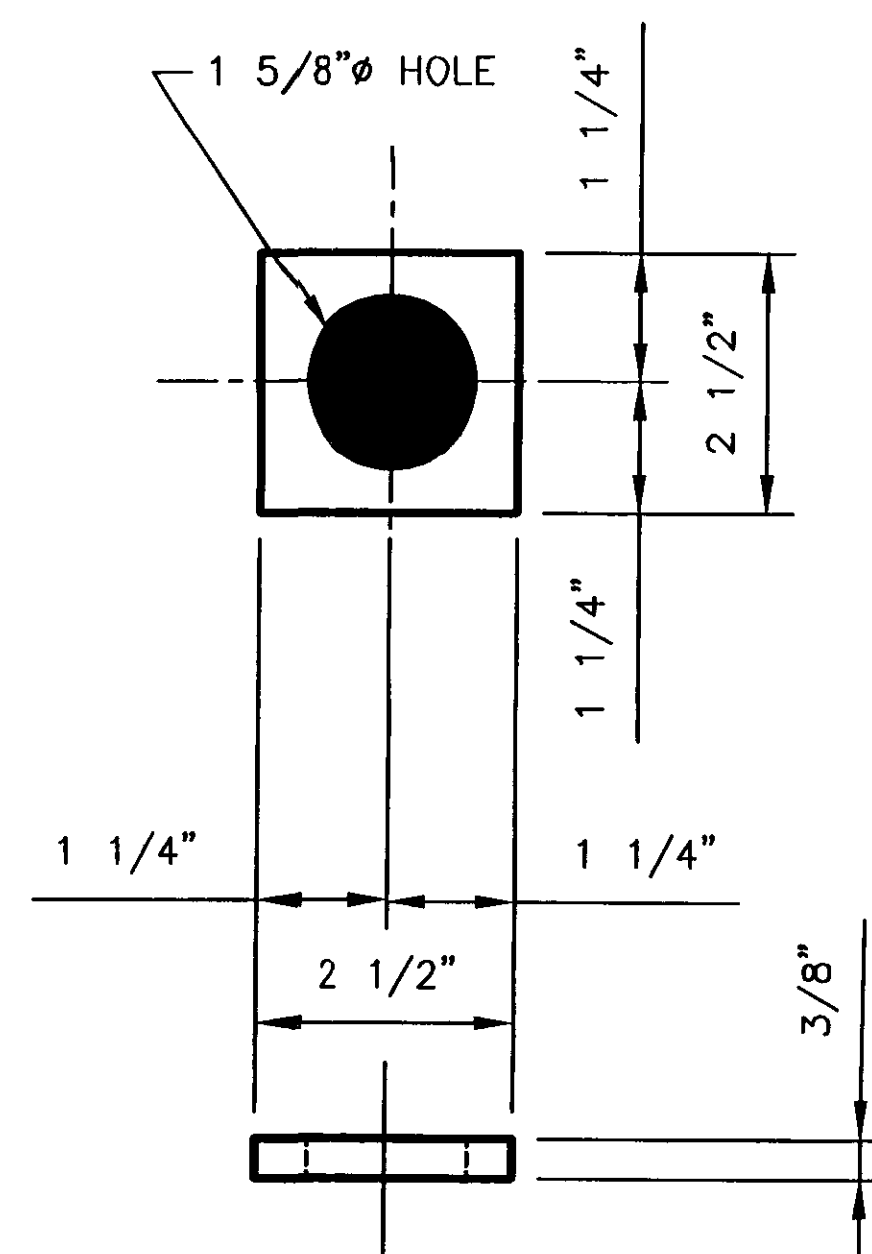


8 ANCHOR BOLTS, AB1
 1 3/4" x 22" ALL THREAD
 ASTM A449 GALVANIZED
 LOCATED AT
 (8) AT EXPANSION BEARING ASSEMBLY, EB1

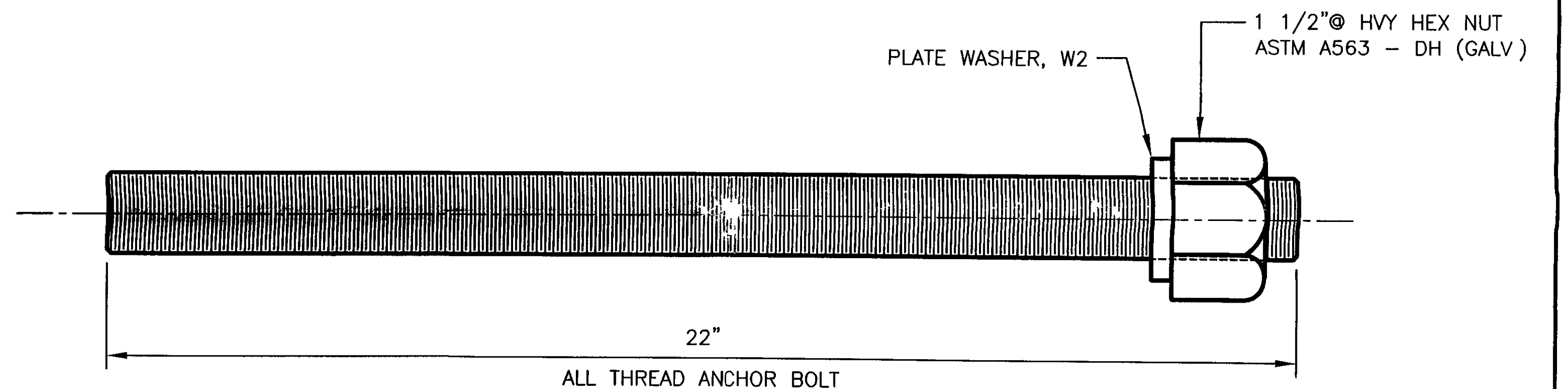


SIDE VIEW

4 LOOSE ANGLES, L1
 L 6" x 6" x 1/2" x 19 1/2"
 ASTM A709 GR 50 (ZINC METALLIZED)
 LOCATED AT
 EXPANSION BEARING ASSEMBLY, EB1



8 PLATE WASHER, W2
 PLATE 3/8" x 2 1/2" x 2 1/2"
 ASTM A709 GR 50 (GALVANIZED)
 LOCATED AT
 FIXED BEARING ASSEMBLY, FB1



8 ANCHOR BOLTS, AB2
 1 1/2" x 22" ALL THREAD
 ASTM A449 GALVANIZED
 LOCATED AT
 (8) AT FIXED BEARING ASSEMBLY, FB1

RECEIVED
 CHK'D BY: HKB OK'D BY: _____
 JUL 09 2008
 RESUBMIT: _____ APPROVED: ✓
 BY: RSG DATE: 7/16/08

SEE SHEET 1 FOR SHOP NOTES

CONNECTION DETAILS

VERMONT AGENCY OF TRANSPORTATION
 TOWN OF SWANTON
 HISTORIC BRIDGE No. 18
 OVER THE MISSISQUOI RIVER

STATE	COUNTY	CONTRACT NO.
VT	FRANKLIN	N/A
FED. AID PROJECT NO.: STP ST MHTB (1)		
DYNAMIC RUBBER		1501 ROCKY RIDGE ROAD
A DIVISION OF COSMEC, INC.		ATHENS, TX 75751
SCALE: NONE	DRAWN BY: KYW	CHECKED BY: JR
	DATE: 4/7/208	DATE: 4/25/2008
SHEET 2 OF 2	DRP NO.: 9824	
CUSTOMER	DRAWING NUMBER	REV
CCS CONSTRUCTORS LLC	9824-D2	1

CCS Constructors LLC
 138 Munson Avenue
 Morrisville, VT 05661
 Ph 802-888-7701 F 802-888-4746

Δ	CHANGE IN ANGLES	KIH	07/03	ELS	07/03
REV.	DESCRIPTION	BY	DATE	CK'D	DATE