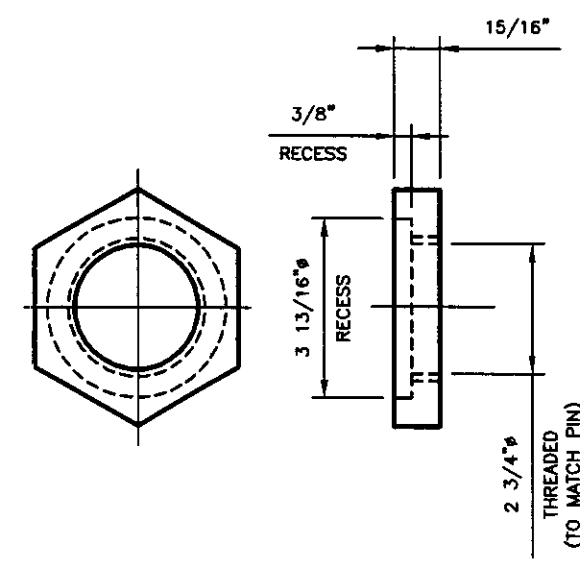


BEARING PIN- 8 REQUIRED
ASTM A1027, GRADE 50 STEEL
(NO PAINT)



RECESSED PIN NUTS- 8 REQUIRED
ASTM A563 GRADE A

CONTRACTOR:
PLEASE VERIFY ALL DIMENSIONS
FOR BEARING PIN

RECEIVED
OK'D BY HKB OK'D BY _____
AUG 29 2008
RESUBMIT _____ APPROVED
BY RGS DATE 9/09/08

PIN DETAIL						
STATE OF VERMONT AGENCY OF TRANSPORTATION						
STATE	COUNTY	CONTRACT NO.				
VT	SWANTON	N/A				
FED AID PROJECT NO. 57P ST MHTB (1)						
DYNAMIC RUBBER A DIVISION OF COSMOS, INC		101 ROCKY HILL ROAD JEROME, VT 05781				
SCALE: NONE	DESIGN BY: KTG	CHECKED BY: ELS				
	DATE: 8/29/2008	DATE: 8/29/2008				
SHEET 2 OF 2 DRP NO.: 9947						
NO.	DESCRIPTION	BY	DATE	CHKD	DATE	ISSUES RESOLVED
	CCS CONSTRUCTORS, LLC					9947-D2 0